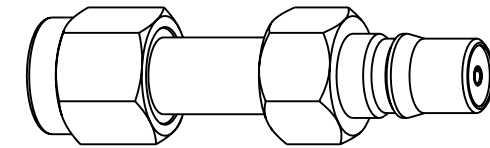
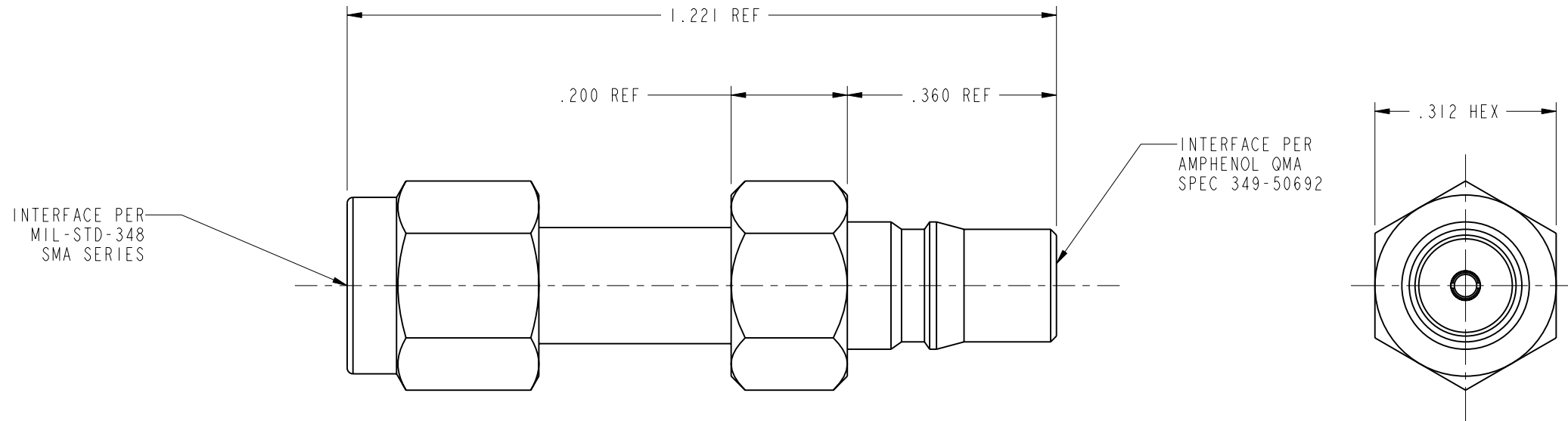


- NOTES:
- MATERIALS AND FINISHES:
 BODY - BRASS, WHITE BRONZE PLATING (.00008/.00015 THICK) OVER COPPER (.00008/.00015 THICK)
 CONTACT - BECU, GOLD PLATING (.00003/.00005 THICK) OVER WHITE BRONZE (.00008/.00015 THICK)
 INSULATOR - PTFE
 INSULATOR - PTFE
 C NUT - BRASS, WHITE BRONZE PLATING (.00008/.00015 THICK) OVER COPPER (.00008/.00015 THICK)
 GASKET- SILICONE RUBBER
 RETAINING RING - BECU
 - ELECTRICAL:
 A. IMPEDANCE: 50 OHM
 B. FREQUENCY RANGE: DC - 6 GHz
 C. VSWR(RETURN LOSS): DC-3 GHz:1.035 (35 dB), 3-6 GHz: 1.18(25dB)
 D. DIELECTRIC WITHSTANDING VOLTAGE: 500 VRMS, MIN.
 - MECHANICAL:
 A. DURABILITY: 100 CYCLES MIN.
 B. TEMPERATURE RANGE: -20° C TO 165° C
 - PACKAGING:
 A. QUANTITY: SINGLE PACK
 B. MARKING: BAG TO BE MARKED
 "AMPHENOL, 930-131A-51S, AND DATE CODE"

930-131A-51S		REVISIONS			
DRAWING NO.	REV	DESCRIPTION	DATE	ECO	APPR
THIRD ANGLE PROJ.	A	RELEASE TO MFG.	2/12/04	44791	



SCALE 2.000



CUSTOMER OUTLINE DRAWING
 ALL OTHER SHEETS ARE FOR INTERNAL USE ONLY

UNLESS OTHERWISE SPECIFIED, DIMENSIONS ARE IN INCHES AND TOLERANCES ARE: 2 PLACE DECIMAL ±.015 (0,381 mm) 3 PLACE DECIMAL ±.005 (0,127 mm) ANGLES ± 1°	MATERIAL SEE NOTES	DRAWN J LEBLANC	DATE 26-Jan-04	TITLE QMA JACK/ SMA PLUG ADAPTER	Amphenol RF Danbury, CT, USA Tainan, Taiwan Shenzhen, China www.amphenolrf.com		
	REFERENCE EAR:1232 GEN: NONE	ENGINEER J LEBLANC	DATE 26-Jan-04			APPROVED O. BARTHELMES	DATE 2/12/04
NOTICE - These drawings, specifications, or other data (1) are, and remain the property of Amphenol Corp. (2) must be returned upon request; and (3) are confidential and not to be disclosed to any person other than those to whom they are given by Amphenol Corp. The furnishing of these drawings, specifications, or other data by Amphenol Corp., or to any other person to anyone for any purpose is not to be regarded by implication or otherwise in any manner licensing, granting rights or permitting such holder or any other person to manufacture, use or sell any product, process or design, patented or otherwise, that may in any way be related to or disclosed by said drawings, specifications, or other data.		CAD FILE I:/QMA/930-131A-51S	CODE ID 74868	DWG SIZE B	DRAWING NO. 930-131A-51S	SCALE: 2.0:1	SHEET 2 OF 2
						REV A	