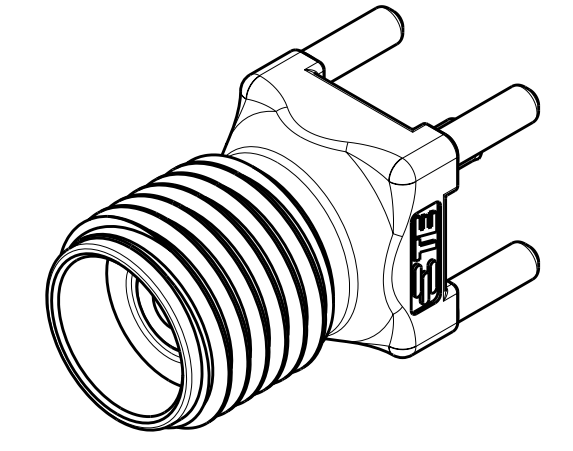
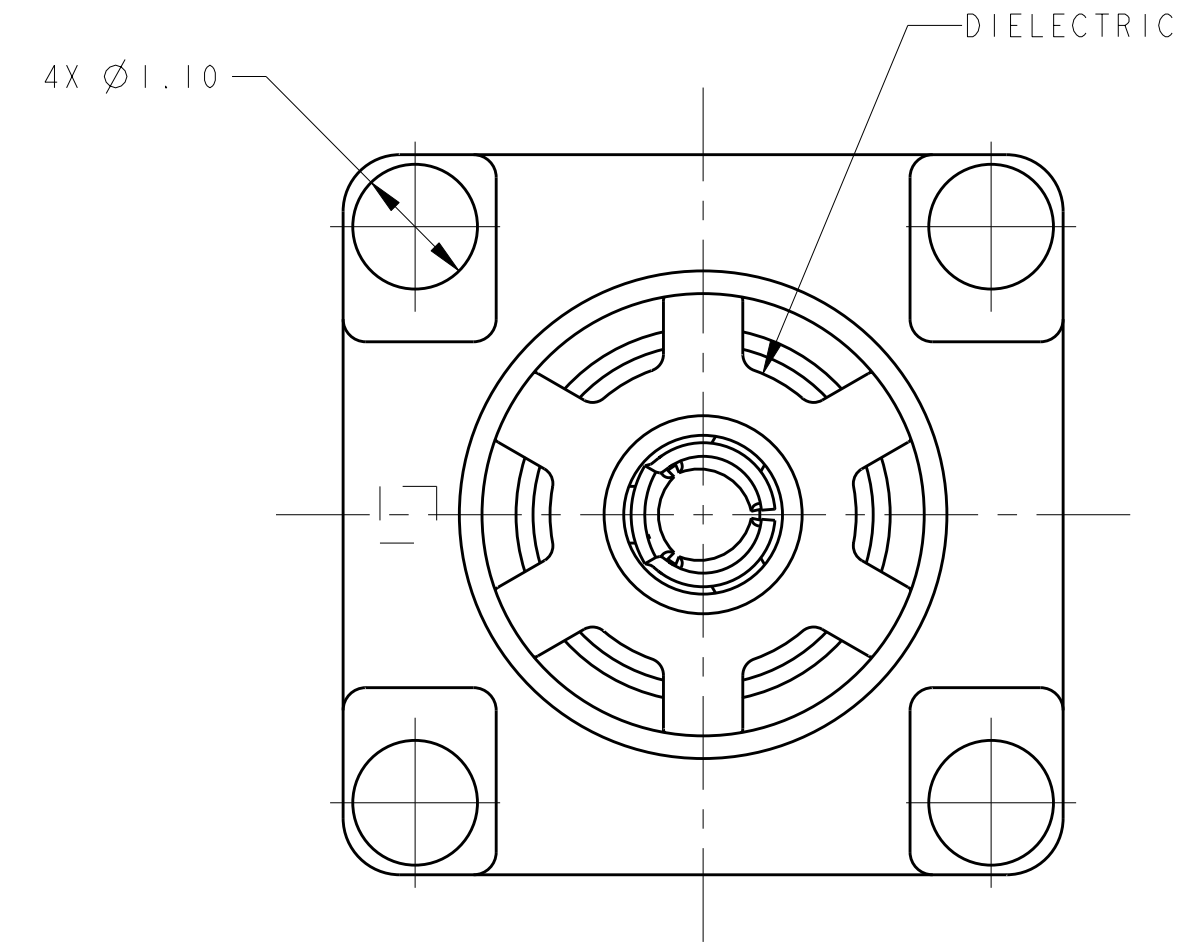
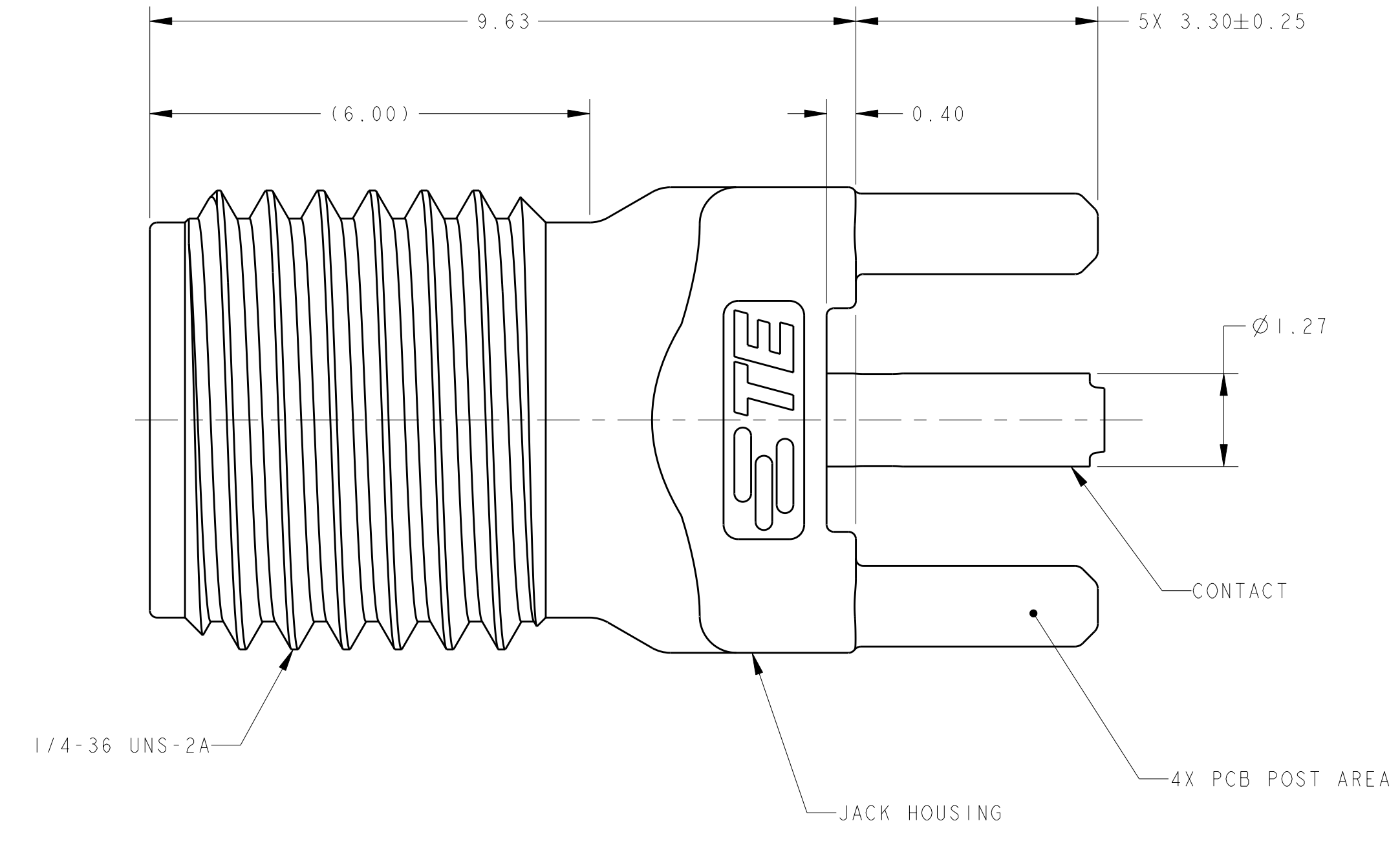
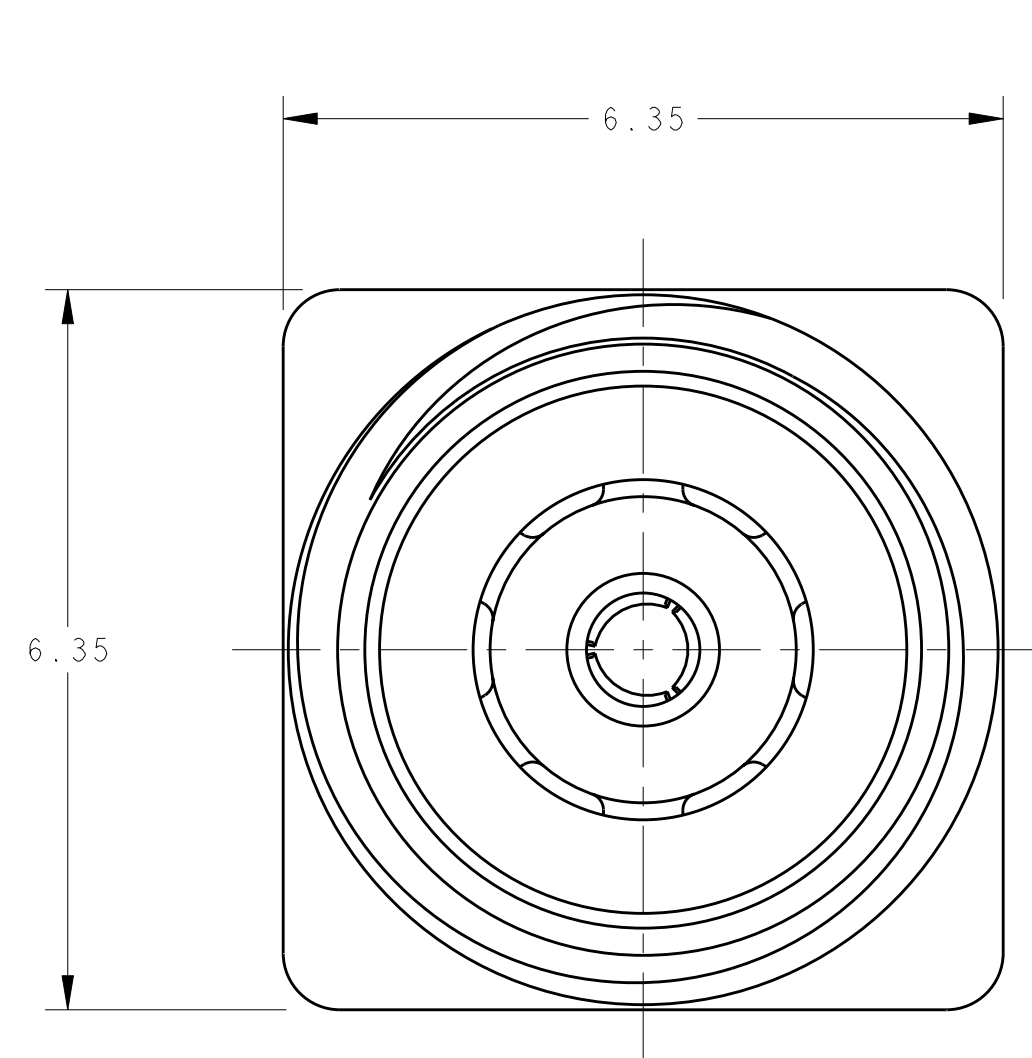
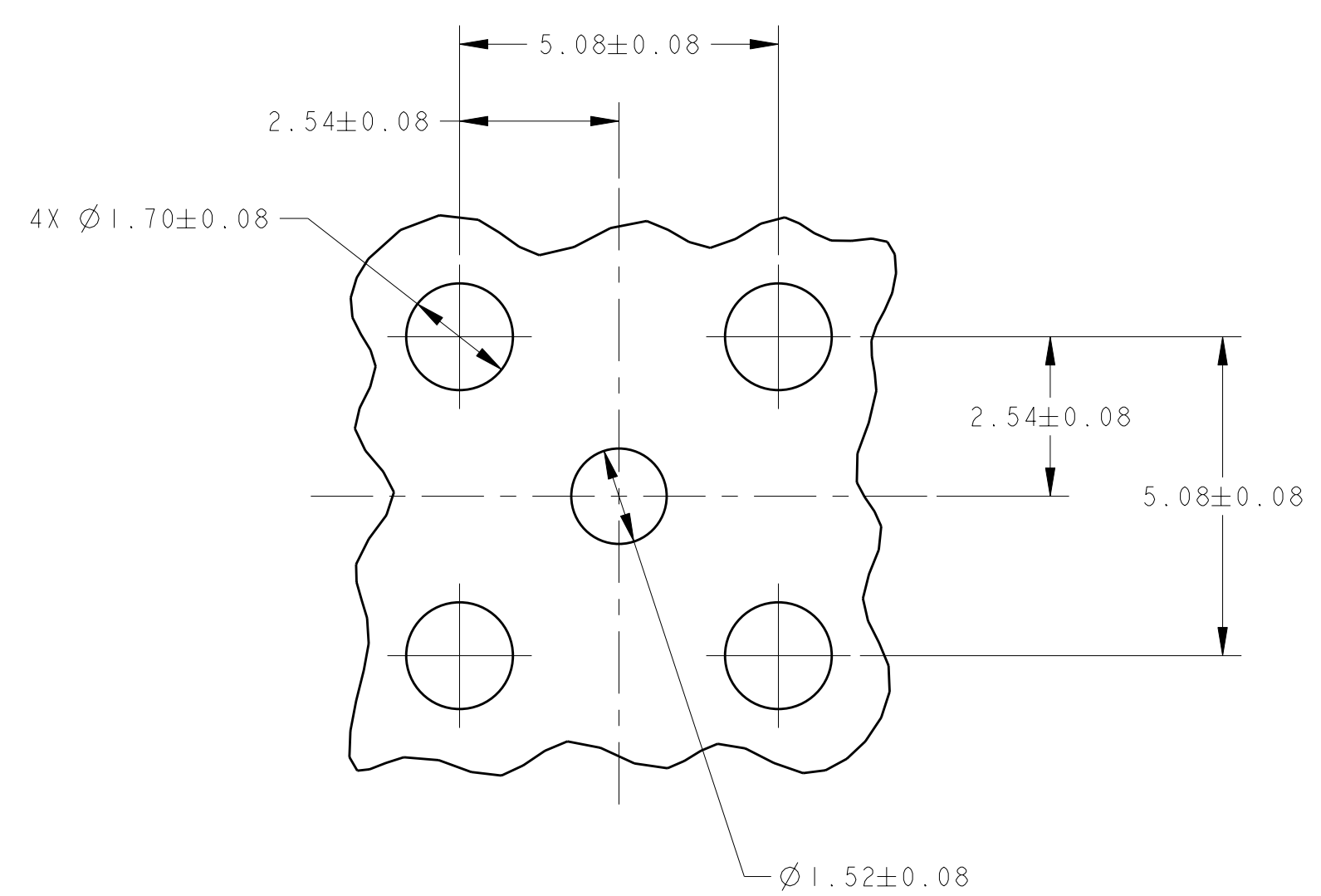


LOC	DIST	REVISIONS			
P	LTB	DESCRIPTION	DATE	DWN	APVD
AJ	00	A	RELEASED	28MAR2012	KF KW



SCALE 5:1



RECOMMENDED PCB LAYOUT
SCALE 10:1

- 1 MATERIAL:
JACK HOUSING: ZINC.
DIELECTRIC: POLYMETHYLPENTENE.
SOCKET CONTACT: COPPER ALLOY.
- 2 FINISH:
JACK HOUSING: NICKEL PLATE WITH TINNED PCB POST AREA.
SOCKET CONTACT: SELECTIVE GOLD PLATED AT MATING INTERFACE;
SELECTIVE TIN PLATED AT PCB INTERFACE;
NICKEL UNDERPLATED.
- 3. THIS PRODUCT IS CAPABLE OF LEAD-FREE WAVE SOLDER PROCESSING.
- 4. ROHS COMPLIANT.

TRAY	2081233-2	SMA-JS-P2-T
SINGLE	2081233-1	SMA-JS-P2-S
PACKAGING	PART NUMBER	PART NUMBER (CONFIGURABLE)

THIS DRAWING IS A CONTROLLED DOCUMENT.		DWN	R. FOLTZ	28MAR2012
DIMENSIONS:		CHK	K. WEIDNER	28MAR2012
mm	0 PLC ±	APVD	K. WEIDNER	28MAR2012
	1 PLC ±	NAME		
	2 PLC ±0.10	SMA, PCB, VERTICAL, JACK ASSEMBLY		
	3 PLC ±	SIZE CAGE CODE DRAWING NO RESTRICTED TO		
	4 PLC ±	A100779 C=SMA-JS-P2		
	ANGLES ±	SCALE 15:1 SHEET 1 OF 1 REV A		
	FINISH ±1°	CUSTOMER DRAWING		