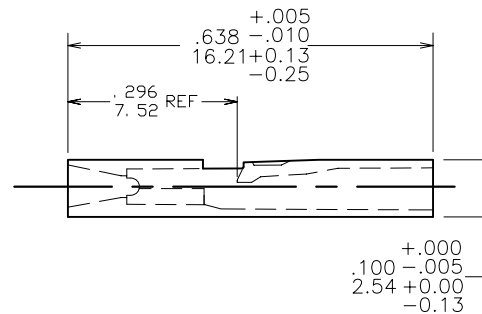
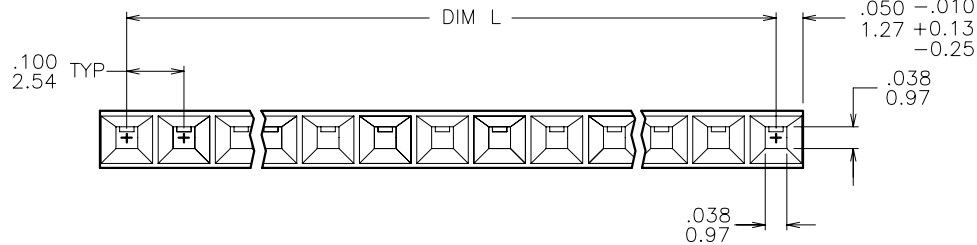
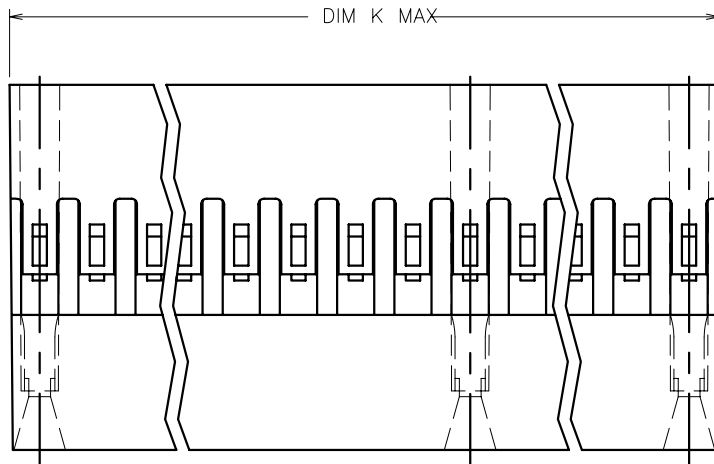


PRODUCT NUMBER

SEE TABLE



mat'l. code SEE NOTE 1				surface <input checked="" type="checkbox"/>		tolerance		projection <input checked="" type="checkbox"/>		product family PV HOUSINGS	
ltr	ecr no	dr	date	tolerances unless otherwise specified		INCH/MM		title		MINI LATCH HOUSING SR	
C	v23123	JWB	1992-09-28	angles	linear	.XX+01/XX+3		.100[2.54]CC FOR .318[8.08] PIN		sheet 1 of 4 size	
D	v50128	GAH	1995-04-03	0°±2'		.XXX+005/XXX+13		scale 3.5:1		66414	
E	v90975	BKB	1999-06-23			.XXXX+0020/XXX+051				A3	
F	v03-1359	VS	2004-03-10	dr	G. HULL	1995-04-03				type Product Customer Drawing	
G	v05-0715	HTB	2005-07-29	engr	L. FYE	1995-04-03					
H	v06-0421	HTB	2006-05-08	chr	L. FYE	1995-04-03					
J	v07-0511	HTB	2007-08-07	appd	L. FYE	1995-04-03					
sheet	revision	J	J	J	J	J	J				
index	sheet	1	2	3	4						



Copyright FCJ

PRODUCT NO.

SEE TABLE

PUSH TO  
INSTALL

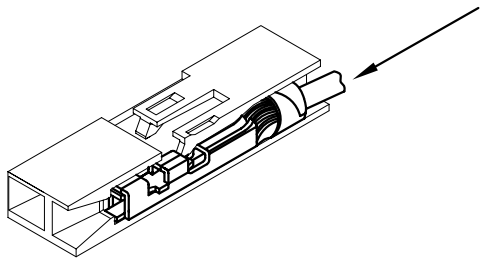


FIGURE 1

HAND TOOL HT-80

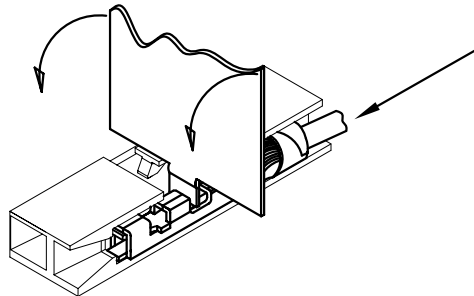


FIGURE 2

TO REMOVE TERMINAL  
SEE NOTE 5

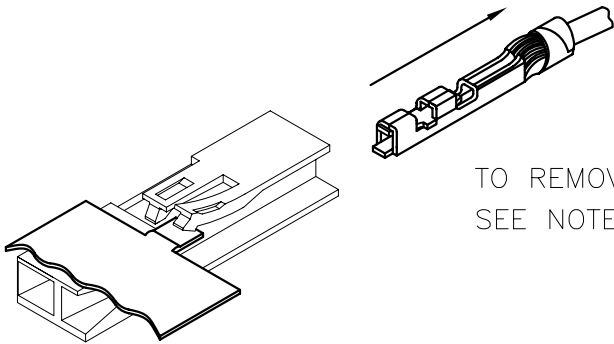


FIGURE 3

NOTES:

1. MOLDING MAT'L: MODIFIED POLYPHENYLENE ETHER, FLAME RETARDANT PER UL 94V-0, COLOR: BLACK.
2. PIN LENGTH TO BE .303/7.70 MIN. RECOMMENDED PIN LENGTH IS  $.318 \pm .015 / 8.08 \pm 0.38$ .
3. THIS HOUSING IS INTENDED FOR USE WITH MINI PV™ TERMINAL WITH 22-36 GAUGE WIRE.
4. TO LATCH TERMINAL; PUSH AS SHOWN IN FIGURE 1. BE SURE THAT LATCH SNAPS DOWN.
5. TO REMOVE TERMINAL; PUSH TERMINAL FORWARD, LIFT LATCH WITH HAND TOOL AS SHOWN IN FIGURES 2 & 3. DAMAGE TO LATCH MAY OCCURE IF LIFTED MORE THAN A 25° ANGLE TO TOP OF HOUSING.
6. TERMINAL MUST BE CRIMPED PROPERLY FOR SATISFACTORY LATCHING. SEE TA-75 FOR CRIMPING INSTRUCTIONS. PRODUCT SPECIFICATION: BUS-12-067.
7. ALL MARKINGS USE 6 POINT TYPE (APPROX. .06/1.5 HIGH) AND WHITE INK. (MARKUM #8829 OR EQUIV.) WHEN MARKING CAVITIES, NUMERALS OR LETTERS ARE TO BE CENTERED ON RESPECTIVE CAVITIES, UNLESS OTHERWISE NOTED.
8. PRODUCT MEETS EUROPEAN UNION DIRECTIVES AND OTHER COUNTRY REGULATIONS AS DESCRIBED IN GS-22-008.
9. THE PRODUCT IS NOT INTENDED TO BE EXPOSED TO A MANUFACTURING SOLDER PROCESS.



FCJconnect.com

Copyright FCJ

mat'l. code SEE NOTE 1				surface <input checked="" type="checkbox"/>		tolerance		projection		product family PV HOUSINGS		
ltr	ecn no	dr	date	tolerances unless otherwise specified								
J				angles	linear	xx+01/xx-3		INCH/MM		title		
				0°±2°		xxx+005/xxx-13		scale 2.5:1		MINI LATCH HOUSING SR		
						xxxx+0020/xxx+051				.100[2.54]CC FOR .318[8.08] PIN		
				dr	G. HULL	1995-04-03				dwg no		
				engr	L. FYE	1995-04-03				sheet 2 of 4		size
				chr	L. FYE	1995-04-03				66414		A3
				appd	L. FYE	1995-04-03				type		Product Customer Drawing
sheet	revision											
index	sheet											

PRODUCT NO.	NO. OF CAV'S	DIM K	DIM L	STYLE	PRODUCT NO.	NO. OF CAV'S	DIM K	DIM L	STYLE
66414-001LF		UNAVAILABLE			66414-037LF		UNAVAILABLE		
66414-002LF		UNAVAILABLE			66414-038LF		UNAVAILABLE		
66414-003LF	34	3.400/86.36	3.300/83.82	N/A	66414-039LF	34	3.400/86.36	3.300/83.82	C
66414-004LF	33	3.300/83.82	3.200/81.28	N/A	66414-040LF	33	3.300/83.82	3.200/81.28	C
66414-005LF	32	3.200/81.28	3.100/78.74	N/A	66414-041LF	32	3.200/81.28	3.100/78.74	C
66414-006LF	31	3.100/78.74	3.000/76.20	N/A	66414-042LF	31	3.100/78.74	3.000/76.20	C
66414-007LF	30	3.000/76.20	2.900/73.66	N/A	66414-043LF	30	3.000/76.20	2.900/73.66	C
66414-008LF	29	2.900/73.66	2.800/71.12	N/A	66414-044LF	29	2.900/73.66	2.800/71.12	C
66414-009LF	28	2.800/71.12	2.700/68.58	N/A	66414-045LF	28	2.800/71.12	2.700/68.58	C
66414-010LF	27	2.700/68.58	2.600/66.04	N/A	66414-046LF	27	2.700/68.58	2.600/66.04	C
66414-011LF	26	2.600/66.04	2.500/63.50	N/A	66414-047LF	26	2.600/66.04	2.500/63.50	C
66414-012LF	25	2.500/63.50	2.400/60.96	N/A	66414-048LF	25	2.500/63.50	2.400/60.96	C
66414-013LF	24	2.400/60.96	2.300/58.42	N/A	66414-049LF	24	2.400/60.96	2.300/58.42	C
66414-014LF	23	2.300/58.42	2.200/55.88	N/A	66414-050LF	23	2.300/58.42	2.200/55.88	C
66414-015LF	22	2.200/55.88	2.100/53.34	N/A	66414-051LF	22	2.200/55.88	2.100/53.34	C
66414-016LF	21	2.100/53.34	2.000/50.80	N/A	66414-052LF	21	2.100/53.34	2.000/50.80	C
66414-017LF	20	2.000/50.80	1.900/48.26	N/A	66414-053LF	20	2.000/50.80	1.900/48.26	C
66414-018LF	19	1.900/48.26	1.800/45.72	N/A	66414-054LF	19	1.900/48.26	1.800/45.72	C
66414-019LF	18	1.800/45.72	1.700/43.18	N/A	66414-055LF	18	1.800/45.72	1.700/43.18	C
66414-020LF	17	1.700/43.18	1.600/40.64	N/A	66414-056LF	17	1.700/43.18	1.600/40.64	C
66414-021LF	16	1.600/40.64	1.500/38.10	N/A	66414-057LF	16	1.600/40.64	1.500/38.10	C
66414-022LF	15	1.500/38.10	1.400/35.56	N/A	66414-058LF	15	1.500/38.10	1.400/35.56	C
66414-023LF	14	1.400/35.56	1.300/33.02	N/A	66414-059LF	14	1.400/35.56	1.300/33.02	C
66414-024LF	13	1.300/33.02	1.200/30.48	N/A	66414-060LF	13	1.300/33.02	1.200/30.48	C
66414-025LF	12	1.200/30.48	1.100/27.94	N/A	66414-061LF	12	1.200/30.48	1.100/27.94	C
66414-026LF	11	1.100/27.94	1.000/25.40	N/A	66414-062LF	11	1.100/27.94	1.000/25.40	C
66414-027LF	10	1.000/25.40	.900/22.86	N/A	66414-063LF	10	1.000/25.40	.900/22.86	C
66414-028LF	9	.900/22.86	.800/20.32	N/A	66414-064LF	9	.900/22.86	.800/20.32	C
66414-029LF	8	.800/20.32	.700/17.78	N/A	66414-065LF	8	.800/20.32	.700/17.78	C
66414-030LF	7	.700/17.78	.600/15.24	N/A	66414-066LF	7	.700/17.78	.600/15.24	C
66414-031LF	6	.600/15.24	.500/12.70	N/A	66414-067LF	6	.600/15.24	.500/12.70	B
66414-032LF	5	.500/12.70	.400/10.16	N/A	66414-068LF	5	.500/12.70	.400/10.16	B
66414-033LF	4	.400/10.16	.300/7.62	N/A	66414-069LF	4	.400/10.16	.300/7.62	B
66414-034LF	3	.300/7.62	.200/5.08	N/A	66414-070LF	3	.300/7.62	.200/5.08	A
66414-035LF	2	.200/5.08	.100/2.54	N/A	66414-071LF	2	.200/5.08	.100/2.54	A
66414-036LF	1	.100/2.54		N/A					

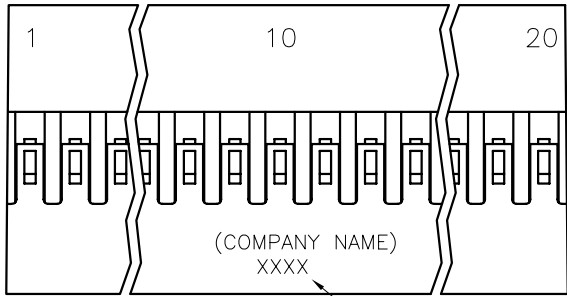
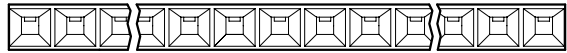


FCconnect.com

Copyright FCJ

mat'l. code SEE NOTE 1		surface <input checked="" type="checkbox"/>		tolerance		projection		product family PV HOUSINGS	
ltr	ecm no	dr	date	tolerances unless otherwise specified		INCH/MM		title	
J				angles	linear			MINI LATCH HOUSING SR	
				0°±2'		scale 4:1		.100[2.54]CC FOR .318[8.08] PIN	
				dr	G. HULL	1995-04-03	sheet 3 of 4		size
				engr	L. FYE	1995-04-03	66414		A3
				chr	L. FYE	1995-04-03	type Product Customer Drawing		
				appd	L. FYE	1995-04-03			
sheet index	revision sheet								

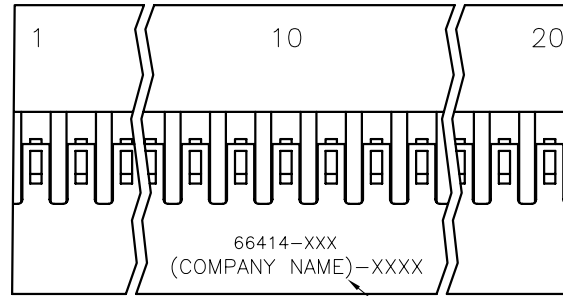
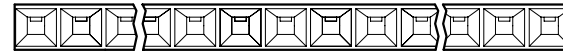
PRODUCT NO.  
SEE TABLE



STYLE B

MARK CAVITY NUMBER ON POSITIONS 1 AND, IF APPLICABLE, 5.  
MARK CO. LOGO AND YEAR-WEEK DATE CODE OF INKING AT THE APPROX.  
CENTER OF THE PART AS SHOWN. MARK ONE SIDE ONLY.

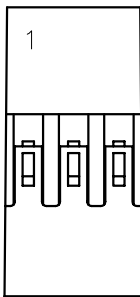
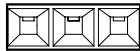
NOTE 7



STYLE C

MARK CAVITY EVERY FIFTH CAVITY. MARK FIRST CAVITY ALSO.  
CENTER NUMBER ON RESPECTIVE CAVITY. MARK CO. LOGO,  
YEAR-WEEK DATE CODE OF INKING AND CO PART NO. AT THE APPROX.  
CENTER OF THE PART AS SHOWN. MARK ONE SIDE ONLY.

NOTE 7



STYLE A

MARK THE NUMBER 1 CENTERED ON THE FIRST CAVITY  
ONE SIDE ONLY.



Copyright FCJ

mat'l. code SEE NOTE 1				surface <input checked="" type="checkbox"/>		tolerance		projection		product family PV HOUSINGS	
ltr	ecn no	dr	date	tolerances unless otherwise specified		angles		INCH/MM		title	
J				linear		0°±2'		scale 2.5:1		MINI LATCH HOUSING SR	
				.XX±01/XX±3						.100[2.54]CC FOR .318[8.08] PIN	
				.XXX±005/XX±13						dwg no	
				.XXXX±0020/XXX±051						sheet 4 of 4 size	
				dr G. HULL 1995-04-03						66414	
				enr L. FYE 1995-04-03						A3	
				chr L. FYE 1995-04-03						type	
				appd L. FYE 1995-04-03						Product Customer Drawing	
sheet index		revision sheet									