

4

3

2

1

THIS DRAWING IS UNPUBLISHED. RELEASED FOR PUBLICATION -,-  
 © COPYRIGHT BY TYCO ELECTRONICS CORPORATION. ALL RIGHTS RESERVED.

LOC		DIST		REVISIONS					
AF		50		P	LTR	DESCRIPTION	DATE	DWN	APVD
					E	REV PER ECR-05-017407	14APR06	HMR	KR

D

D

C

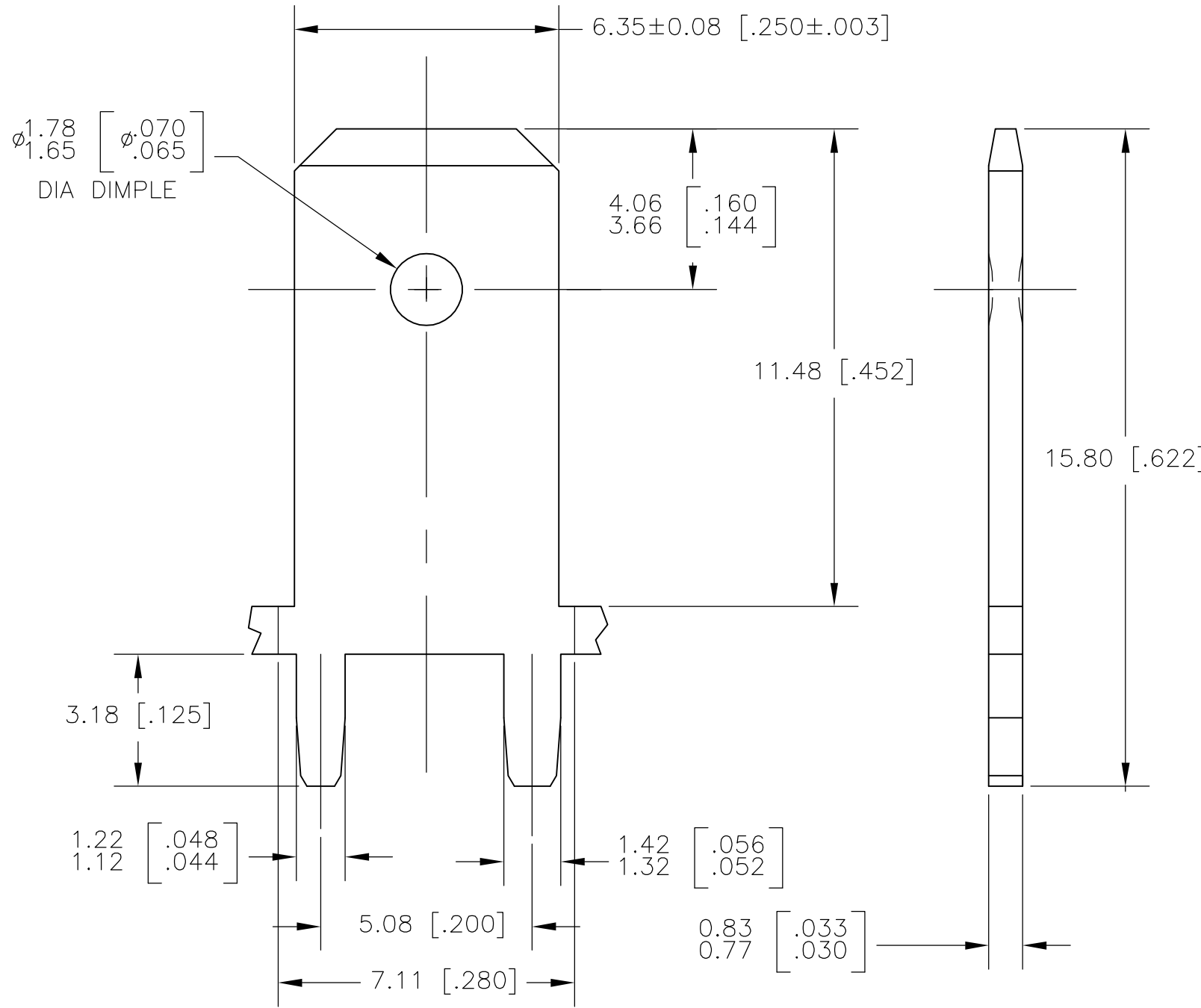
C

B

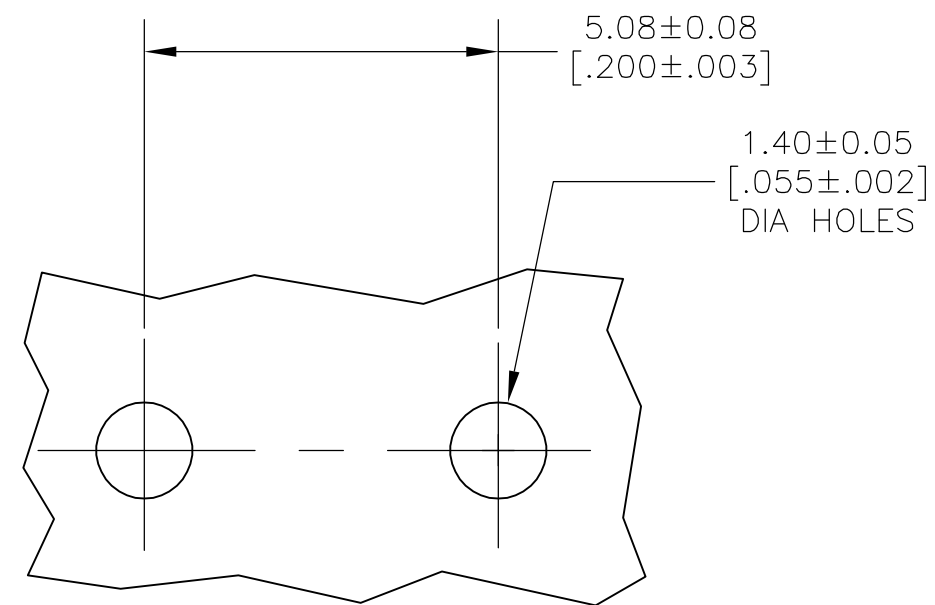
B

A

A



1 CONTINUOUS STRIP ON REELS.  
 2 0.00381 [.000150] MIN TIN OVER  
 0.00254 [.000100] MIN THK COPPER.



P.C. BOARD HOLES  
 SCALE 10:1

63755-1  
 PART NUMBER

THIS DRAWING IS A CONTROLLED DOCUMENT.		DWN	JR RUTH	30NOV00		Tyco Electronics Corporation Harrisburg, PA 17105-3608				
DIMENSIONS: mm [INCHES]		CHK	MS FEHER	30NOV00		NAME	TAB, FASTON, PC BOARD, 6.35 [.250] SERIES			
		APVD	G PORTA	30NOV00			PRODUCT SPEC			
MATERIAL		FINISH		WEIGHT	SIZE	CAGE CODE	DRAWING NO	RESTRICTED TO		
082 BRASS		TIN OVER COPPER		-	A3	00779	C-63755	-		
CUSTOMER DRAWING					SCALE	8:1	SHEET	1 OF 1	REV	E