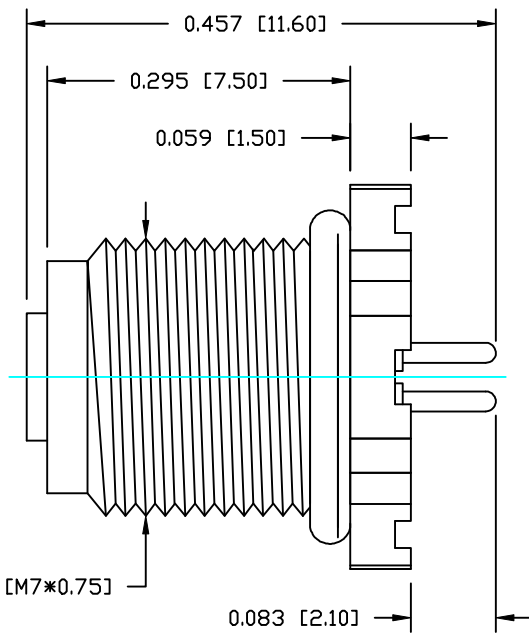
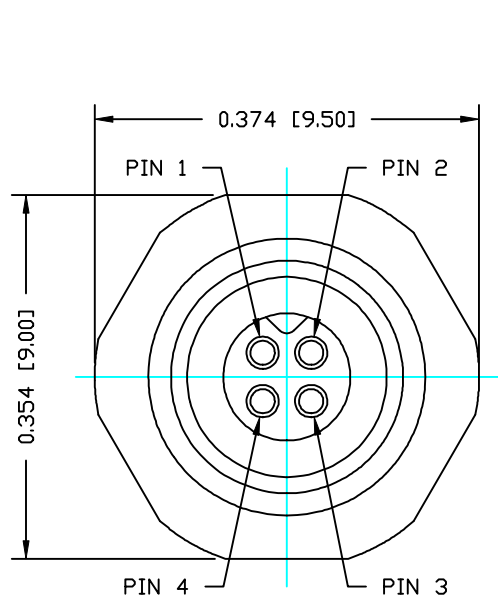


DESCRIPTION: M5 FEMALE - PANEL MOUNT (REAR) - VERTICAL - 4 POSITION

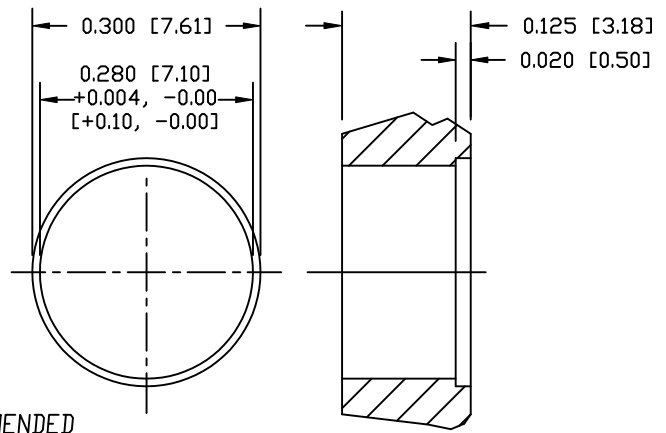
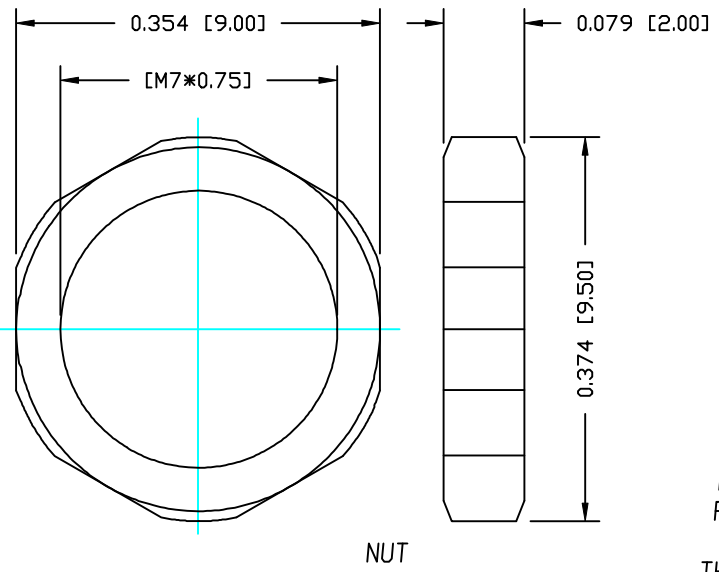


NOTE:

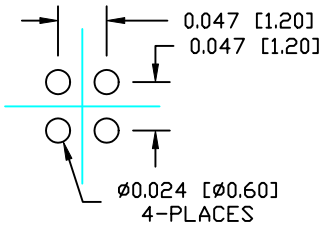
MATERIAL	
HOUSING:	PBT UL94V-0, BLACK
CONTACT:	PHOSPHOR BRONZE
NUT:	BRASS
SHELL:	BRASS
O-RING:	NBR, BLACK
EPOXY BASE:	EF400A & EF400B, BLACK
FINISH	
CONTACT:	GOLD PLATED OVER 50µ" NICKEL
NUT:	NICKEL PLATED
SHELL:	NICKEL PLATED
ELECTRICAL	
RATED CURRENT:	1A
RATED VOLTAGE:	60V
INSULATION RESISTANCE:	100 MΩhms MIN.
CONTACT RESISTANCE:	10 MΩhms MAX.
WATER PROOF:	IP67
ENVIRONMENT	
OPERATION TEMPERATURE:	-40°C TO +85°C
MAX. ASSEMBLY TORQUE:	1.5 in lbs

852-004-213R00Y

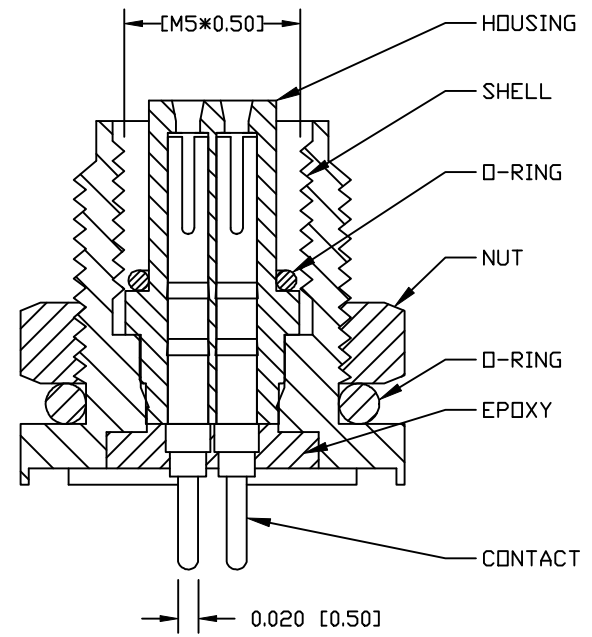
1 = GOLD FLASH
4 = 10µ" GOLD



RECOMMENDED
PANEL CUTOUT
MAX PANEL
THICKNESS: 0.125



RECOMMENDED
PCB



RoHS COMPLIANT

DO NOT SCALE FROM DRAWING



THESE DRAWINGS AND SPECIFICATIONS ARE THE PROPERTY OF NorComp AND SHALL NOT BE REPRODUCED, COPIED OR USED AS THE BASIS FOR THE MANUFACTURE OR SALE OF APPARATUS WITHOUT WRITTEN PERMISSION.

DRAWN: M. SIGMON

DATE: 03-04-16

CHECKED:

DATE:

NorComp

SCALE: NTS

SHEET 1 OF 1

REV 2

DWG NO.

852-004-213R00Y