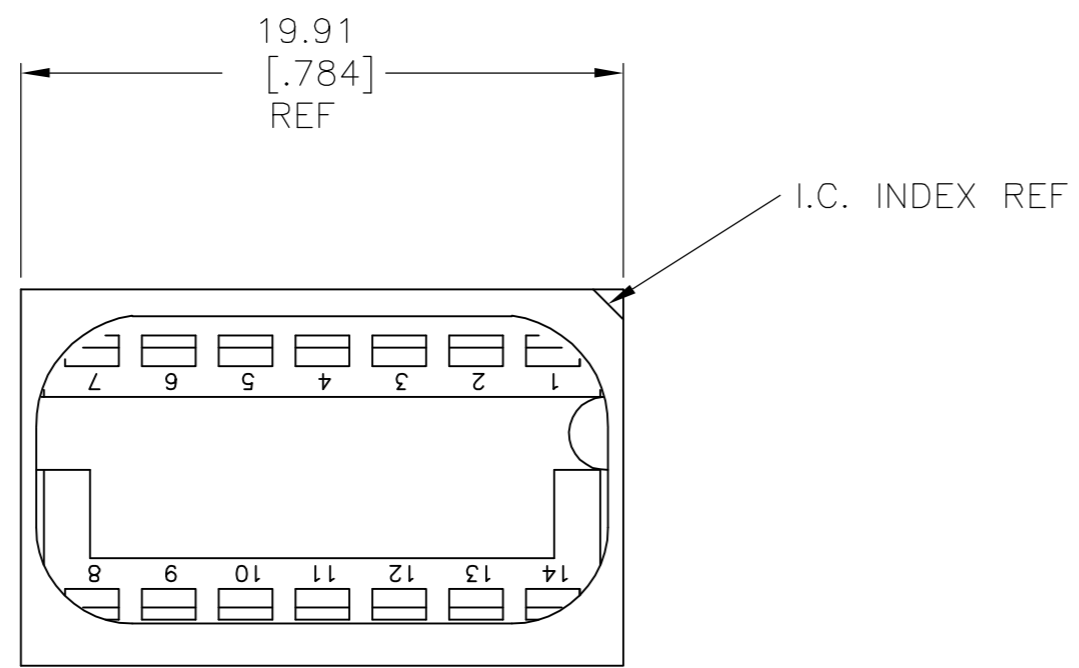
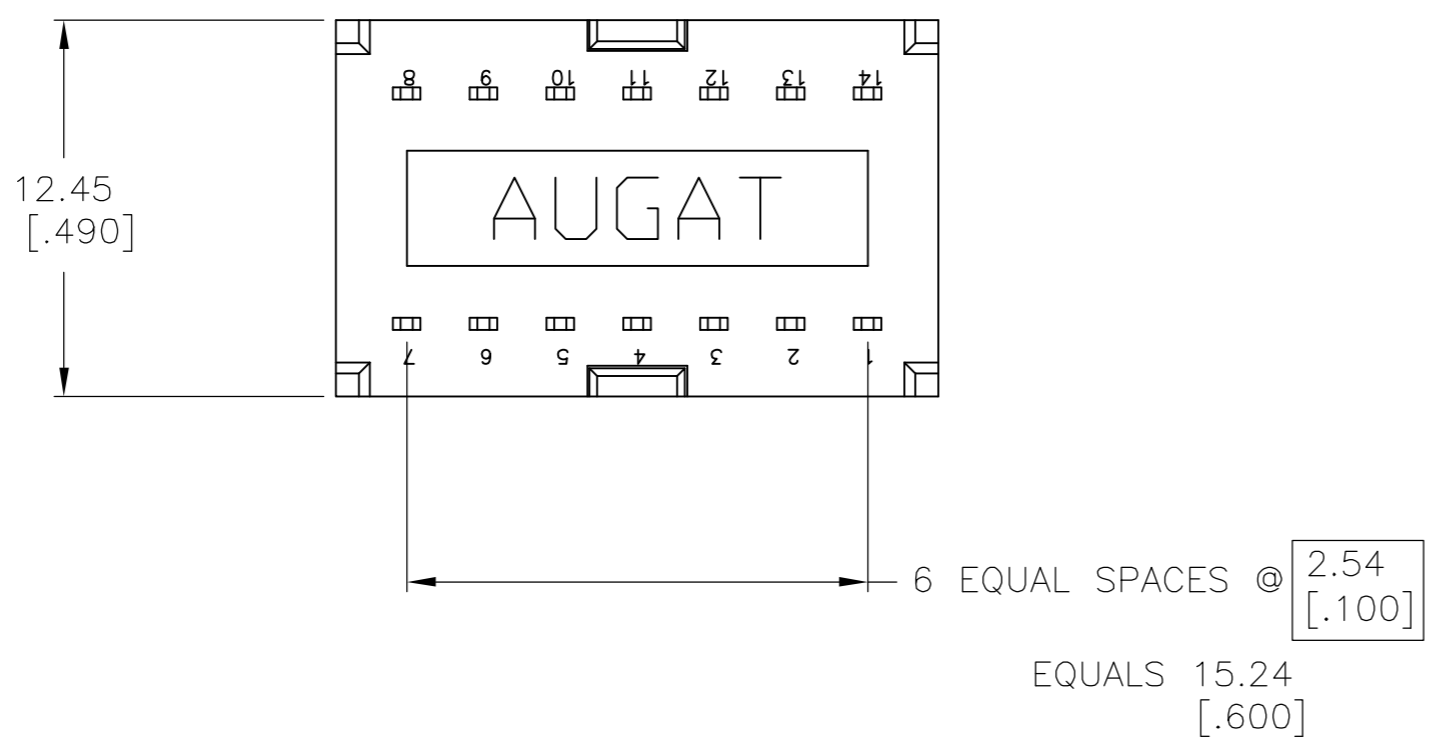
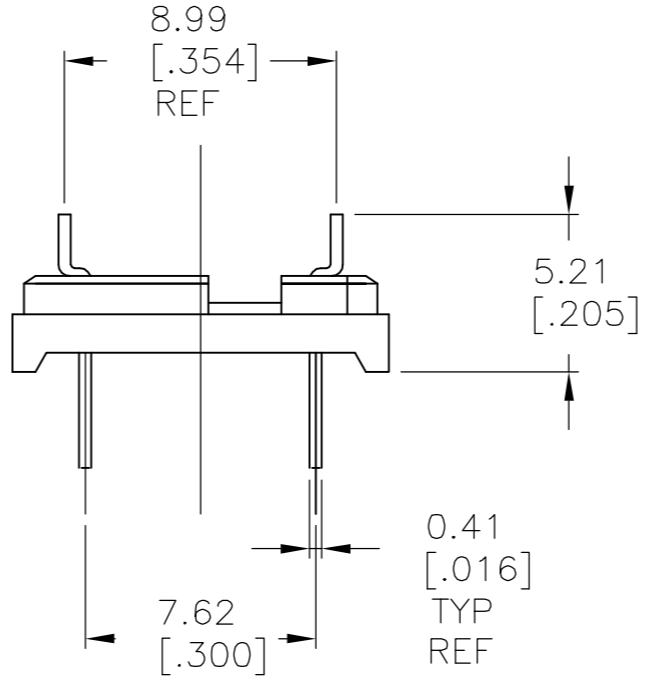
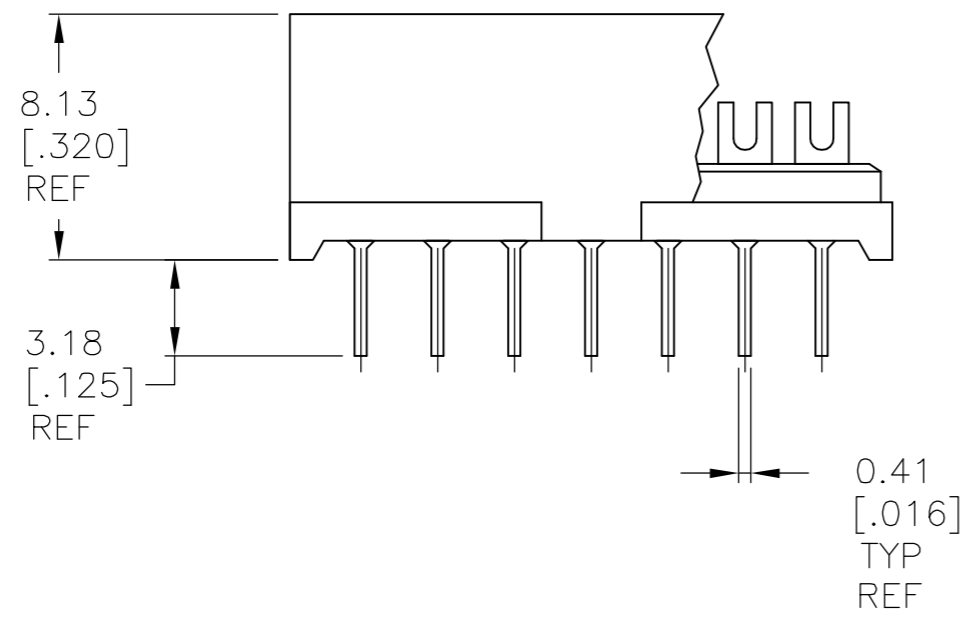


THIS DRAWING IS UNPUBLISHED. RELEASED FOR PUBLICATION
 © COPYRIGHT BY TYCO ELECTRONICS CORPORATION. ALL RIGHTS RESERVED.

LOC	DIST	REVISIONS			
P	LTR	DESCRIPTION	DATE	DWN	APVD
AD	00	A	ECO-06-24636	24OCT06	MM



- 1 INSULATOR - THERMOPLASTIC POLYESTER, UL RATED 94-V0, COLOR-BLACK
COVER - THERMOPLASTIC POLYESTER, UL RATED 94-V0, COLOR-BLACK
- 2 CONTACT: PHOSPHOR BRONZE, GOLD PLATE 0.0005[.00002] MIN THICK
- 3 CONTACT: PHOSPHOR BRONZE, TIN PLATE 0.0005[.00002] MIN THICK
- 4 CONTACT: PHOSPHOR BRONZE, MATTE TIN PLATE 0.0005[.00002] MIN THICK



THIS DRAWING IS A CONTROLLED DOCUMENT.		DWN M.BIINER	24OCT2006	tyco Electronics Tyco Electronics Corporation Harrisburg, PA 17105-3608	
DIMENSIONS: mm [INCHES]		CHK M.MILLER	APVD M.MILLER		
TOLERANCES UNLESS OTHERWISE SPECIFIED:		PRODUCT SPEC		NAME ADAPTER PLUG ASSEMBLY	
0 PLC ± - 1 PLC ± - 2 PLC ± 0.13[.005] 3 PLC ± - 4 PLC ± - ANGLES ± 1°		APPLICATION SPEC		SIZE A2	
MATERIAL 1		FINISH SEE TABLE		CAGE CODE 00779	
		WEIGHT -		DRAWING NO C=2-1437515-5	
		CUSTOMER DRAWING		RESTRICTED TO -	
		SCALE 4:1		SHEET 1 of 1	
		REV A			