

FEATURES

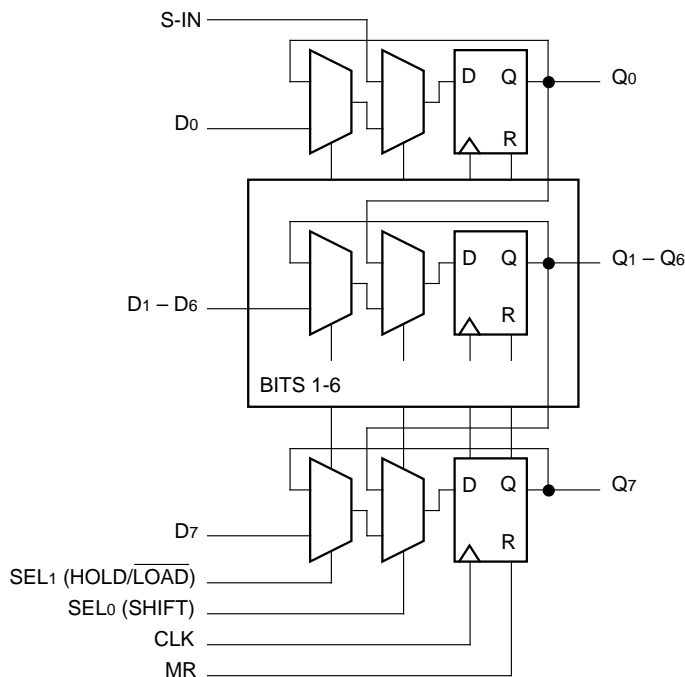
- 1000ps max. CLK to output
- Extended 100E VEE range of -4.2V to -5.5V
- SHIFT overrides HOLD, /LOAD control
- Asynchronous Master Reset
- Pin-compatible with E141
- Fully compatible with industry standard 10KH, 100K ECL levels
- Internal 75KΩ input pulldown resistors
- Fully compatible with Motorola MC10E/100E241
- Available in 28-pin PLCC package

DESCRIPTION

The SY10/100E241 are 8-bit shiftable registers designed for use in new, high-performance ECL systems. Unlike the E141, the E241 features internal data feedback organized such that the SHIFT control overrides the HOLD, /LOAD control. Thus, the normal operations of HOLD and LOAD can be toggled with a single control line without the need for external gating. This configuration also enables switching to scan mode with the single SHIFT control line.

The eight inputs D0–D7 accept parallel input data, while S-IN accepts serial input data when in shift mode. Data is accepted a set-up time before the rising edge of CLK. Shifting is also accomplished on the rising clock edge. A HIGH on the Master Reset pin (MR) asynchronously resets all the registers to zero.

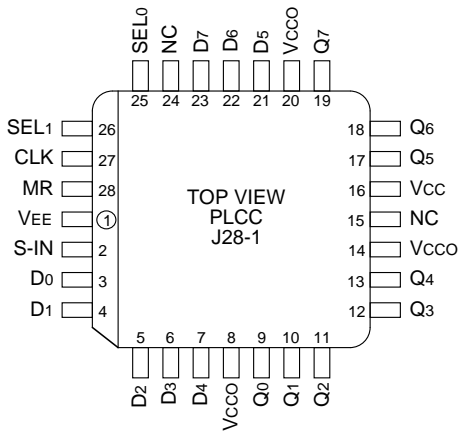
BLOCK DIAGRAM



PIN NAMES

Pin	Function
D0–D7	Parallel Data Inputs
S-IN	Serial Data Input
SEL0	SHIFT Control
SEL1	HOLD, /LOAD Control
CLK	Clock
MR	Master Reset
Q0–Q7	Data Outputs
VCC0	Vcc to Output

PACKAGE/ORDERING INFORMATION



28-Pin PLCC (J28-1)

Ordering Information⁽¹⁾

Part Number	Package Type	Operating Range	Package Marking	Lead Finish
SY10E241JC	J28-1	Commercial	SY10E241JC	Sn-Pb
SY10E241JCTR ⁽²⁾	J28-1	Commercial	SY10E241JC	Sn-Pb
SY100E241JC	J28-1	Commercial	SY100E241JC	Sn-Pb
SY100E241JCTR ⁽²⁾	J28-1	Commercial	SY100E241JC	Sn-Pb
SY10E241JZ ⁽³⁾	J28-1	Commercial	SY10E241JZ with Pb-Free bar-line indicator	Matte-Sn
SY10E241JZTR ^(2, 3)	J28-1	Commercial	SY10E241JZ with Pb-Free bar-line indicator	Matte-Sn
SY100E241JZ ⁽³⁾	J28-1	Commercial	SY100E241JZ with Pb-Free bar-line indicator	Matte-Sn
SY100E241JZTR ^(2, 3)	J28-1	Commercial	SY100E241JZ with Pb-Free bar-line indicator	Matte-Sn

Notes:

1. Contact factory for die availability. Dice are guaranteed at T_A = 25°C, DC Electricals only.
2. Tape and Reel.
3. Pb-Free package is recommended for new designs.

TRUTH TABLE

SEL ₀	SEL ₁	Function
L	L	Load
L	H	Hold
H	X	Shift (D _n to D _{n+1})

DC ELECTRICAL CHARACTERISTICSV_{EE} = V_{EE} (Min.) to V_{EE} (Max.); V_{CC} = V_{CC0} = GND

Symbol	Parameter	T _A = 0°C			T _A = +25°C			T _A = +85°C			Unit	Condition	
		Min.	Typ.	Max.	Min.	Typ.	Max.	Min.	Typ.	Max.			
I _{IH}	Input HIGH Current	—	—	150	—	—	150	—	—	150	μA	—	
I _{EE}	Power Supply Current	—	125	150	—	125	150	—	125	150	mA	—	
		10E	—	125	150	—	125	150	—	125			150
		100E	—	125	150	—	125	150	—	144			173

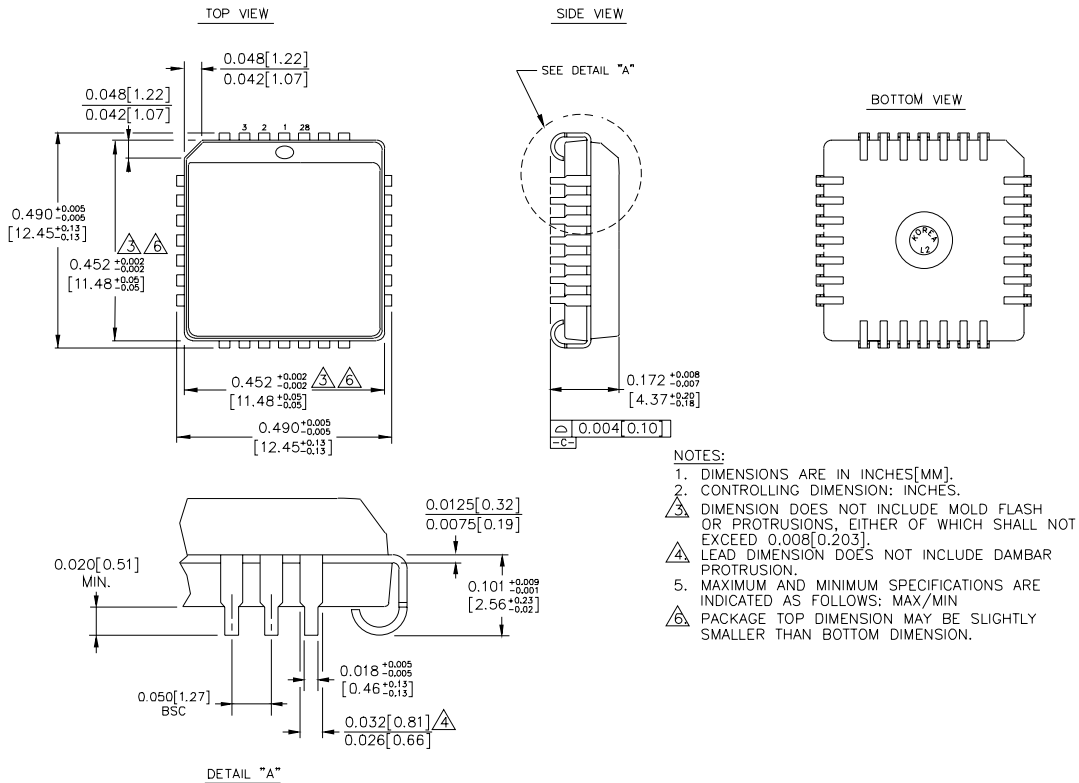
AC ELECTRICAL CHARACTERISTICSV_{EE} = V_{EE} (Min.) to V_{EE} (Max.); V_{CC} = V_{CC0} = GND

Symbol	Parameter	T _A = 0°C			T _A = +25°C			T _A = +85°C			Unit	Condition
		Min.	Typ.	Max.	Min.	Typ.	Max.	Min.	Typ.	Max.		
f _{SHIFT}	Max. Shift Frequency	700	900	—	700	900	—	700	900	—	MHz	—
t _{PD}	Propagation Delay to Output CLK MR	625	750	975	625	750	975	625	750	975	ps	—
		600	725	975	600	725	975	600	725	975		
t _S	Set-up Time D SEL ₀ (SHIFT) ₃₅₀ SEL ₁ (HOLD/LOAD) S-IN	175	25	—	175	25	—	175	25	—	ps	—
		200	—	350	200	—	350	200	—	—		
		400	250	—	400	250	—	400	250	—		
		125	-100	—	125	-100	—	125	-100	—		
t _H	Hold Time D SEL ₀ (SHIFT) SEL ₁ (HOLD/LOAD) S-IN	200	-25	—	200	-25	—	200	-25	—	ps	—
		100	-200	—	100	-200	—	100	-200	—		
		50	-250	—	50	-250	—	50	-250	—		
		300	100	—	300	100	—	300	100	—		
t _{RR}	Reset Recovery Time	900	600	—	900	600	—	900	600	—	ps	—
t _{PW}	Minimum Pulse Width CLK, MR	400	—	—	400	—	—	400	—	—	ps	—
t _{skew}	Within-Device Skew	—	60	—	—	60	—	—	60	—	ps	1
t _r t _f	Rise/Fall Time 20% to 80%	300	525	800	300	525	800	300	525	800	ps	—

Note:

1. Within-device skew is defined as identical transitions on similar paths through a device.

28-PIN PLCC (J28-1)



Rev. 03

MICREL, INC. 2180 FORTUNE DRIVE SAN JOSE, CA 95131 USA

TEL + 1 (408) 944-0800 FAX + 1 (408) 474-1000 WEB <http://www.micrel.com>

The information furnished by Micrel in this data sheet is believed to be accurate and reliable. However, no responsibility is assumed by Micrel for its use. Micrel reserves the right to change circuitry and specifications at any time without notification to the customer.

Micrel Products are not designed or authorized for use as components in life support appliances, devices or systems where malfunction of a product can reasonably be expected to result in personal injury. Life support devices or systems are devices or systems that (a) are intended for surgical implant into the body or (b) support or sustain life, and whose failure to perform can be reasonably expected to result in a significant injury to the user. A Purchaser's use or sale of Micrel Products for use in life support appliances, devices or systems is at Purchaser's own risk and Purchaser agrees to fully indemnify Micrel for any damages resulting from such use or sale.

© 2006 Micrel, Incorporated.