

Product Information

HWRD300 Series

802.11b/g/n Long Range Industrial Access Point



Features

- ❖ 128MB System Memory
- ❖ 16MB NOR Flash
- ❖ On-board 2.4GHz max 23dBm output power (per chain)
- ❖ IEEE 802.11n compliant & backward compatible with 802.11b/g
- ❖ 2 x 2 On-board radio up to 300Mbps physical data rate
- ❖ 2 x FE LAN RJ45 with Auto MDI/X
- ❖ Passive 24V Power Over Ethernet
- ❖ Integrated 48V IEEE 802.3af available as Option

Applications

- Dual Band, Dual Concurrent AP
- 802.11b/g/n+802.11a/n/ac AP
- Point to Point and Point to Multi-Point Wireless Bridge
- Wireless Base Station
- Wireless Customer-Premises Equipment (CPE)
- Support for Third Party 3G/LTE Radio Module

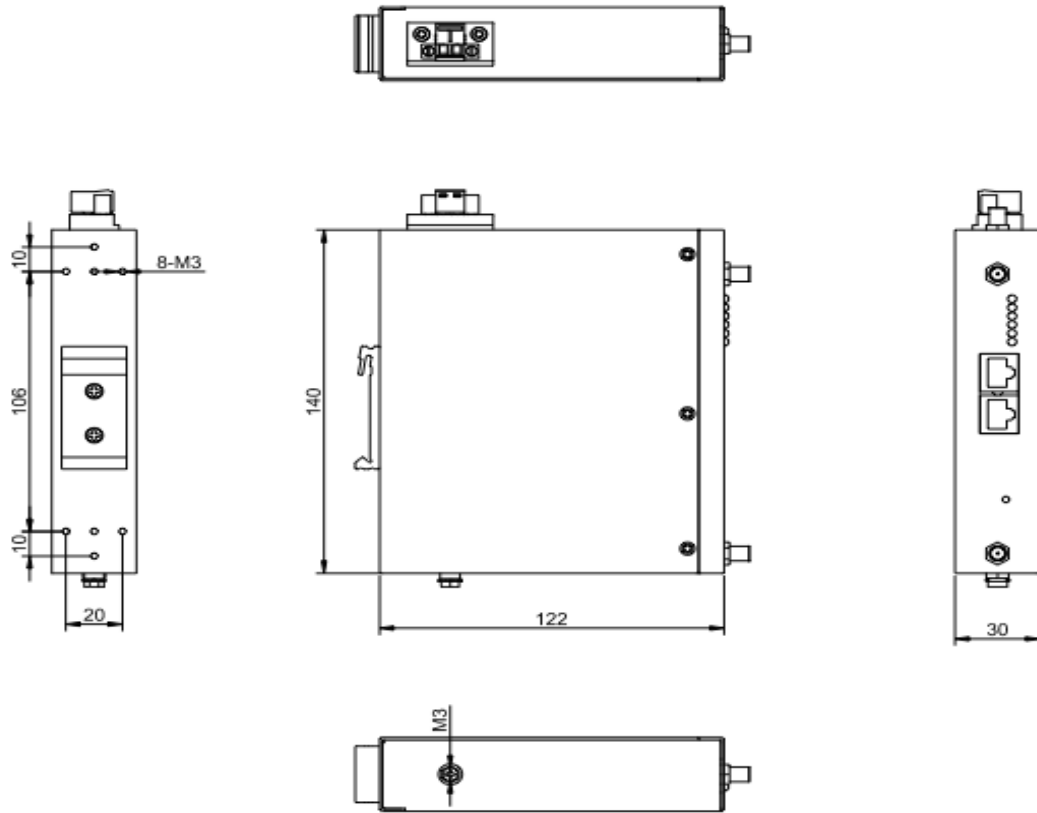
Specifications

System Memory	128MB DDR2
NOR Flash	16MB
Wireless	Built in 2.4GHz 802.11b/g/n at 26dBm (aggregate) 2x U.FL connectors
Interface	2x Fast Ethernet Port (Auto MDI-X) 1x JTAG 14 Pin Connector1 1x Serial Port 4 Pin Connector2
Reset Button	Yes
LED	6x LED Indicators
Power over Ethernet	Passive PoE 24V (LV version), IEEE 802.3af/at or Passive PoE 36-56V (HV version)
DC Power	1x DC Jack Connector: 12-24V (LV version), 24-56V (HV version)
Power Consumption	6.9 Watt (Max)
Certification	FCC & CE Certification, RoHS Compliance
Environmental	Temperature: Operating: Operating: -20~70°C, Storage: -40~90°C, Humidity (non-condensing): Operating: 5% to 95%, Storage: Max. 90%
Other Features	Surge Suppressor, Watchdog Timer

RF Performance Table

	Data Rate	TX Power (per chain)	TX Power (2 chains)	Tolerance		Data Rate	RX Sensitivity	Tolerance
2.4GHz 802.11b	1Mbps	23dBm	26dBm	±2dB	2.4GHz 802.11b	1Mbps	-94dBm	±2dB
	2Mbps	23dBm	26dBm	±2dB		2Mbps	-92dBm	±2dB
	5.5Mbps	23dBm	26dBm	±2dB		5.5Mbps	-90dBm	±2dB
	11Mbps	23dBm	26dBm	±2dB		11Mbps	-89dBm	±2dB
	6Mbps	23dBm	26dBm	±2dB		6Mbps	-95dBm	±2dB
	9Mbps	23dBm	26dBm	±2dB		9Mbps	-94dBm	±2dB
	12Mbps	23dBm	26dBm	±2dB		12Mbps	-94dBm	±2dB
	18Mbps	23dBm	26dBm	±2dB		18Mbps	-93dBm	±2dB
2.4GHz 802.11g	24Mbps	23dBm	26dBm	±2dB	2.4GHz 802.11g	24Mbps	-90dBm	±2dB
	36Mbps	21dBm	24dBm	±2dB		36Mbps	-85dBm	±2dB
	48Mbps	20dBm	23dBm	±2dB		48Mbps	-79dBm	±2dB
	54Mbps	19dBm	22dBm	±2dB		54Mbps	-75dBm	±2dB
	MCS 0	22dBm	25dBm	±2dB		MCS 0	-94dBm	±2dB
	MCS 1	21dBm	24dBm	±2dB		MCS 1	-93dBm	±2dB
	MCS 2	21dBm	24dBm	±2dB		MCS 2	-90dBm	±2dB
	MCS 3	21dBm	24dBm	±2dB		MCS 3	-87dBm	±2dB
2.4GHz 802.11n HT20	MCS 4	20dBm	23dBm	±2dB	2.4GHz 802.11n HT20	MCS 4	-84dBm	±2dB
	MCS 5	19dBm	22dBm	±2dB		MCS 5	-79dBm	±2dB
	MCS 6	18dBm	21dBm	±2dB		MCS 6	-79dBm	±2dB
	MCS 7	17dBm	20dBm	±2dB		MCS 7	-75dBm	±2dB
	MCS 0	22dBm	25dBm	±2dB		MCS 0	-88dBm	±2dB
	MCS 1	21dBm	24dBm	±2dB		MCS 1	-87dBm	±2dB
	MCS 2	21dBm	24dBm	±2dB		MCS 2	-85dBm	±2dB
	MCS 3	21dBm	24dBm	±2dB		MCS 3	-83dBm	±2dB
2.4GHz 802.11n HT40	MCS 4	20dBm	23dBm	±2dB	2.4GHz 802.11n HT40	MCS 4	-80dBm	±2dB
	MCS 5	19dBm	22dBm	±2dB		MCS 5	-76dBm	±2dB
	MCS 6	18dBm	21dBm	±2dB		MCS 6	-73dBm	±2dB
	MCS 7	17dBm	20dBm	±2dB		MCS 7	-70dBm	±2dB

Dimension Drawings



Units:mm

Ordering Information

HWRD300	2.4G Single Channel 23dBm (11b/g/n), -20~70°C operating temperature
---------	---