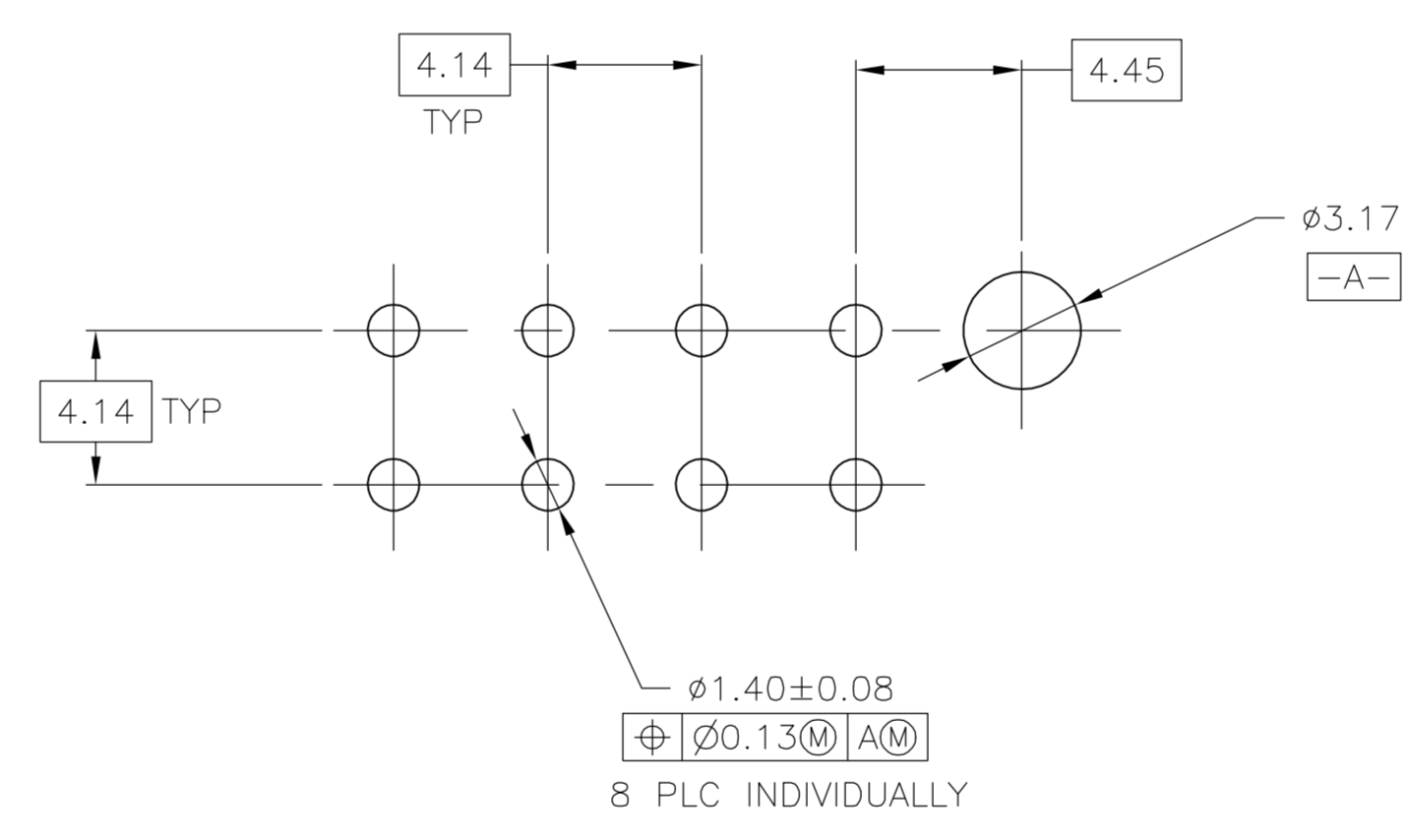
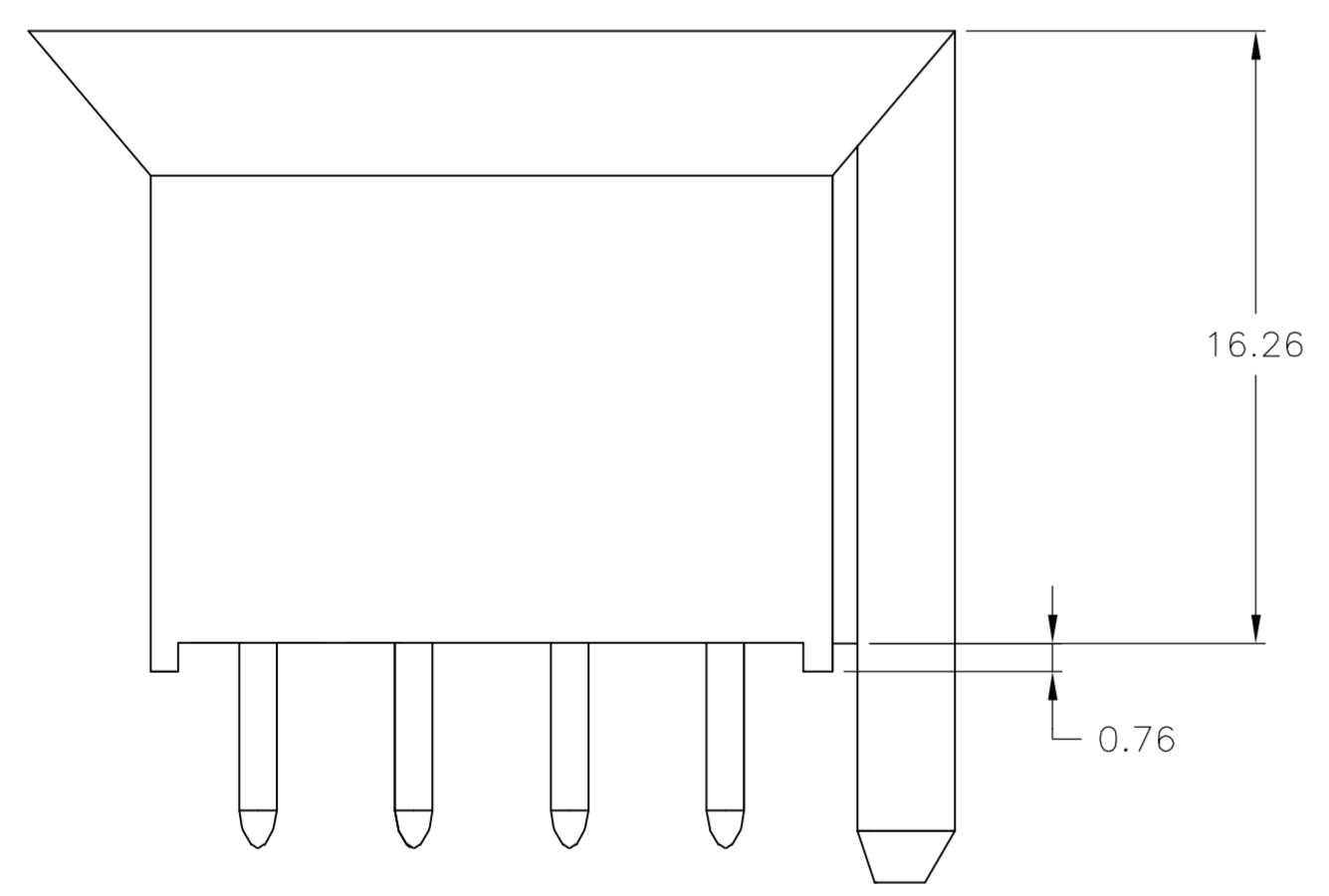
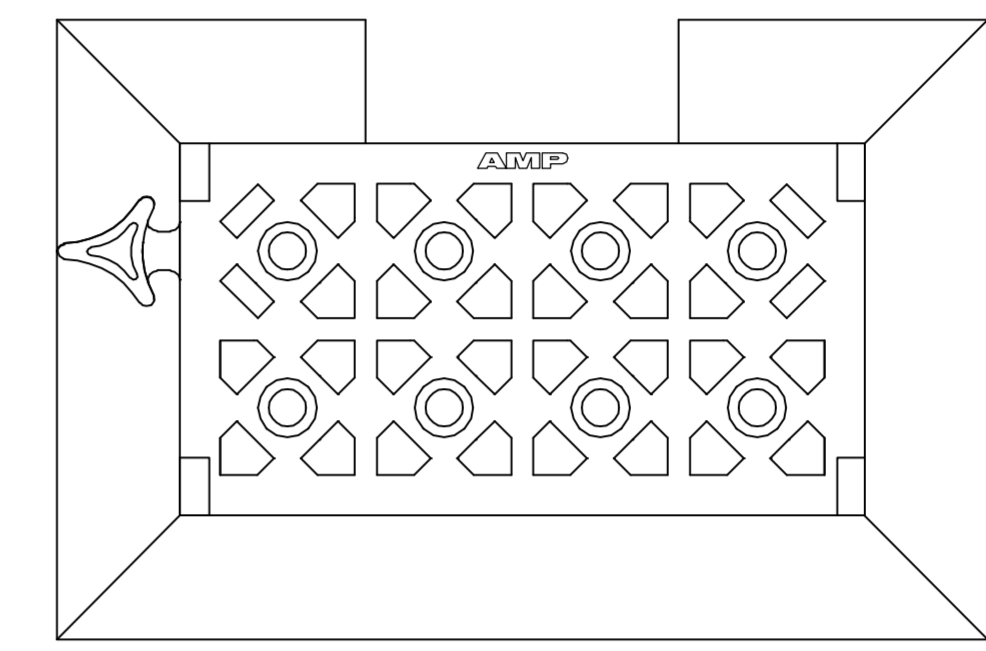
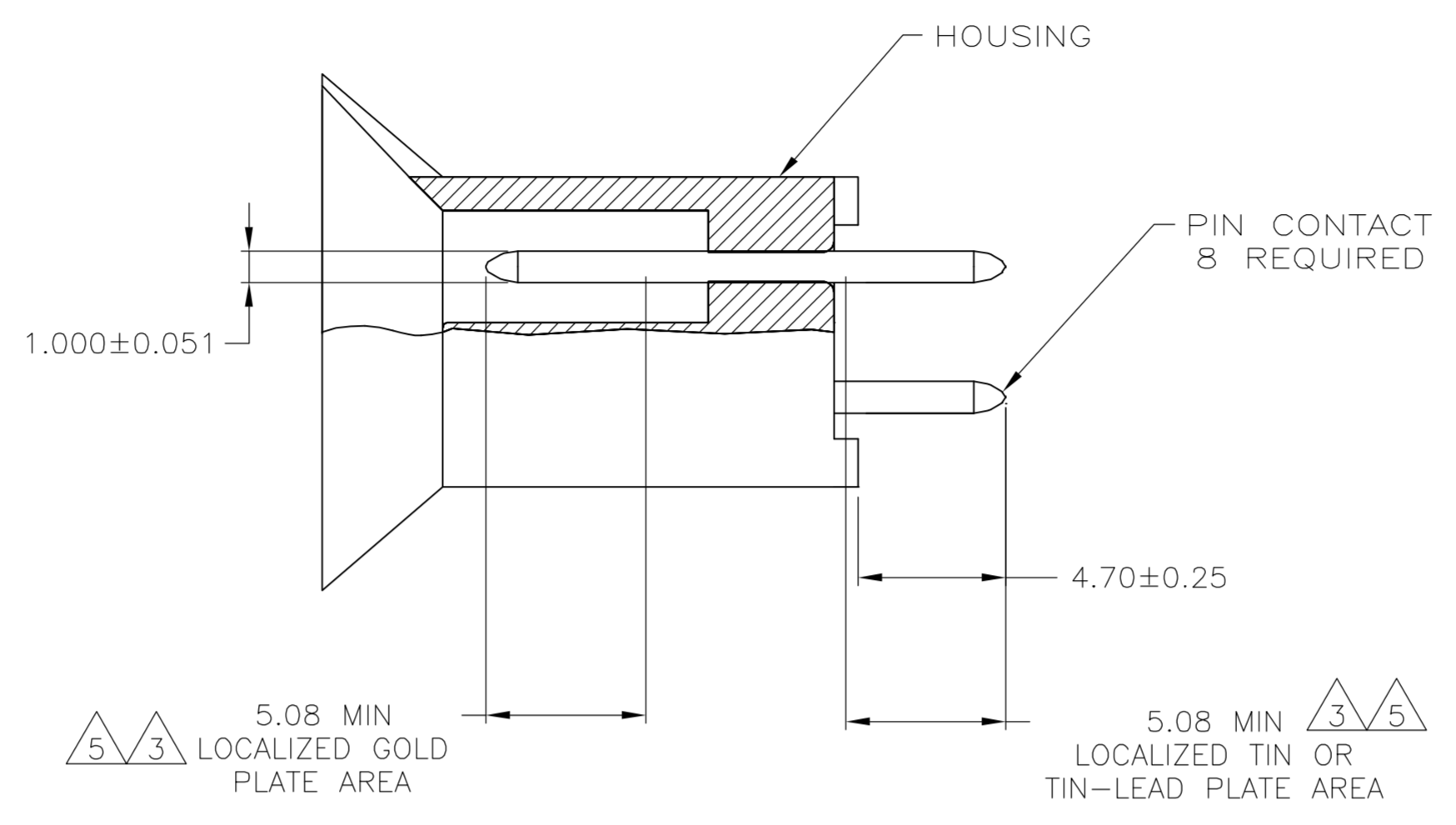
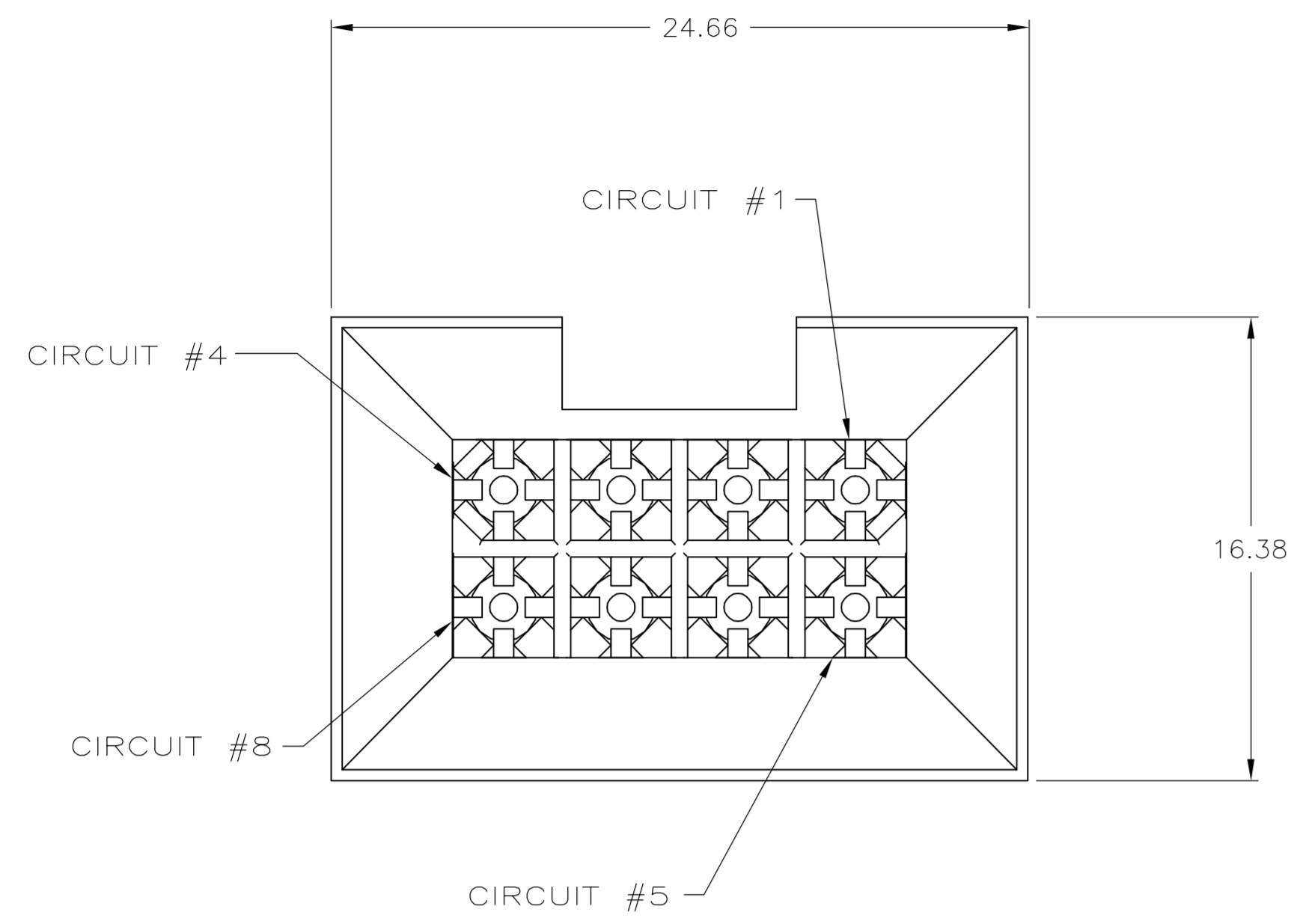
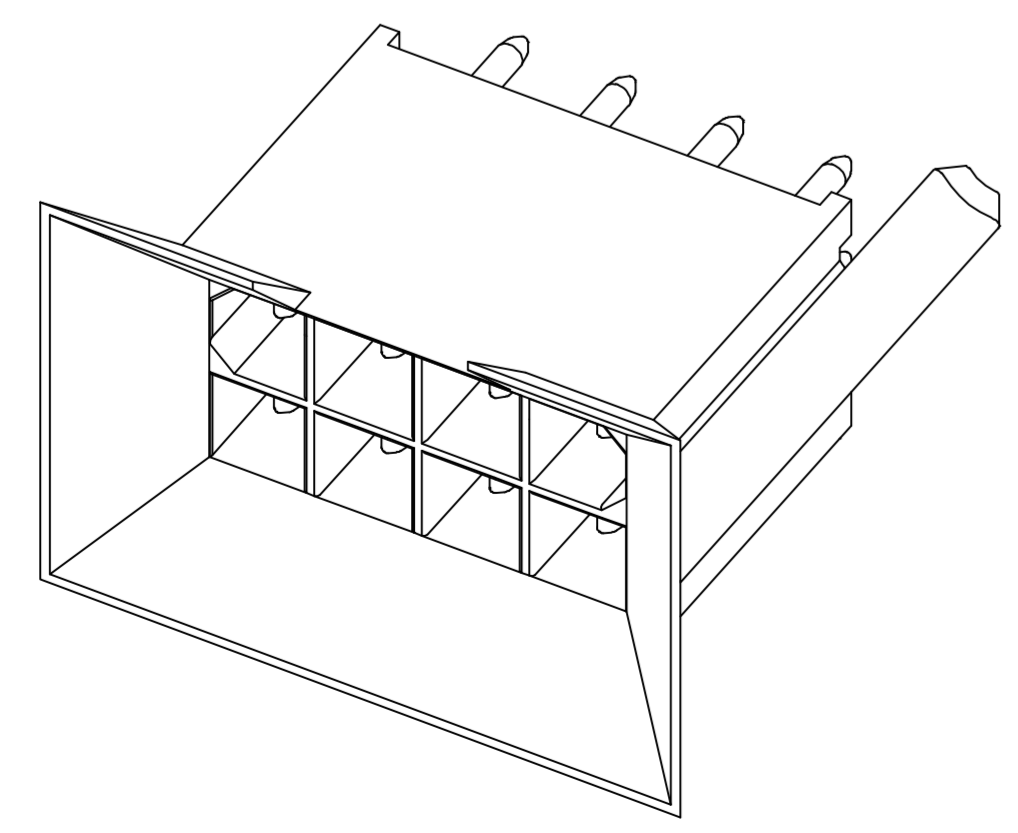


- PINS TO COMPLY WITH AMP SOLDERABILITY SPEC. 108-11-3.
- 0.00381 MIN MATTE TIN LEAD OVER 0.00127 MIN NICKEL.
- 0.00076 MIN GOLD PLATE IN THE LOCALIZED PLATE AREA, 0.00381 MATTE TIN LEAD IN THE LOCALIZED PLATE AREA, BOTH OVER 0.00127 MIN NICKEL.
- 0.00381 MIN MATTE TIN PLATE OVER 0.00127 MIN NICKEL.
- 0.00076 MIN GOLD PLATE IN THE LOCALIZED GOLD PLATE AREA, 0.00381 MIN MATTE TIN IN THE LOCALIZED TIN PLATE AREA, BOTH OVER 0.00127 MIN NICKEL.



RECOMMENDED MOUNTING HOLE PATTERN FOR 1.57 THICK P.C. BOARD

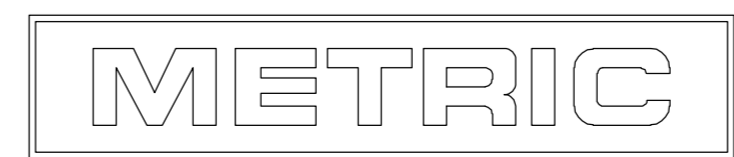


3-DIMENSIONAL MODEL NTS

|         |         |       |      |
|---------|---------|-------|------|
| 1.40    | .055    | -     | -    |
| 1.000   | .0394   | 24.66 | .971 |
| 0.76    | .030    | 16.38 | .645 |
| 0.25    | .010    | 16.26 | .640 |
| 0.13    | .005    | 5.08  | .200 |
| 0.08    | .003    | 4.70  | .185 |
| 0.051   | .0020   | 4.45  | .175 |
| 0.00381 | .000150 | 4.14  | .163 |
| 0.00127 | .000050 | 3.17  | .125 |
| 0.00076 | .000030 | 1.57  | .062 |
| MM      | IN      | MM    | IN   |

CONVERSION TABLE

|                                 |                            |             |
|---------------------------------|----------------------------|-------------|
| BRASS, GOLD $\Delta 5$          | NYLON, 94V-0, WHITE        | 1-794327-1  |
| BRASS, TIN $\Delta 4$           | NYLON, 94V-0, WHITE        | 1-794327-0  |
| BRASS, GOLD $\Delta 3$          | NYLON, 94V-0, WHITE        | 794327-2    |
| BRASS, TIN LEAD $\Delta 2$      | NYLON, 94V-0, WHITE        | 794327-1    |
| PIN CONTACT MATERIAL AND FINISH | HOUSING MATERIAL AND COLOR | PART NUMBER |



THIS DRAWING IS A CONTROLLED DOCUMENT.

|                     |  |                          |                       |                         |                 |                            |                                    |               |          |                  |                    |                  |
|---------------------|--|--------------------------|-----------------------|-------------------------|-----------------|----------------------------|------------------------------------|---------------|----------|------------------|--------------------|------------------|
| DIMENSIONS: mm      | TOLERANCES UNLESS OTHERWISE SPECIFIED: | DWN: K. WHITAKER 10APR97 | CHK: R. SWING 10APR97 | AP'D: R. ORSTAD 10APR97 | NAME: R. ORSTAD | PRODUCT SPEC: PRODUCT SPEC | APPLICATION SPEC: APPLICATION SPEC | WEIGHT: -     | SIZE: A1 | CAGE CODE: 00779 | DRAWING NO: 794327 | RESTRICTED TO: - |
| MATERIAL: SEE TABLE |  | FINISH: SEE TABLE        |                       | CUSTOMER DRAWING        |                 | SCALE: 5:1                 |                                    | SHEET: 1 OF 1 |          | REV: C           |                    |                  |

tyco Electronics Tyco Electronics Corporation Harrisburg, PA 17105-3608

HEADER ASSEMBLY, BLIND MATE, 8 CIRCUIT, MINI-UNIVERSAL MATE-N-LOK(TM)