

Low Profile Surface Mount Crystals

- 3.0 mm Maximum SMD profile
- Very cost competitive
- Fast delivery

**Series CSM4
CSM5**



Part Numbering Example: CSM4 Z - A1 B2 C2 200 - 3.579545 D18 - 3

CSM4	Z	A1*	B2	C2	200	3.579545	D18	- 3
SERIES	ADDED FEATURES	OPERATING TEMP.	STABILITY	TOLERANCE	RESISTANCE	FREQUENCY	LOAD CAP.	OVERTONE
CSM4	BLANK = BULK PACK	A0 = -10°C ~ +60°C	B1 = ±100	C1 = ±100	SEE CHART		D16,18,20,ETC.	BLANK: FUND.
CSM5	Z = TAPE AND REEL	A1 = -10°C ~ +70°C	B2 = ± 50	C2 = ± 50	BELOW		DS = SERIES	-3: 3rd OT
		A2 = -40°C ~ +85°C	B3 = ± 30	C3 = ± 30				
			B4 = ± 10	C4 = ± 10				

**NOTE: The above ABC combinations cover basic specification options. We tailor our crystal specifications to meet customer requirements. Please contact our sales department if you don't see exactly what you need.*

Specifications:

Frequency Range:

3.579545 ~ 38.000 MHz	AT Cut Fundamental
25.000000 ~ 75.000 MHz	AT Cut 3rd Overtone

Operating Temperature: -10°C ~ +70°C *Standard*
-40°C ~ +85°C

Frequency Stability: ±100 ppm
± 50 ppm *Standard*
± 30 ppm
± 15 ppm

Frequency Tolerance: ±100 ppm
(at 25°C) ±50 ppm *Standard*
±30 ppm
±10 ppm

Load Capacitance: Standard 18 pF or series.
Please specify your required load.

Resistance: Maximum resistance corresponds to frequency.
See chart below.

Standard: Mode: Fundamental or 3rd Overtone
Shunt Capacitance: 7 pF Max
Aging: ± 5 ppm/year
Drive Level: 1.0 mW Max

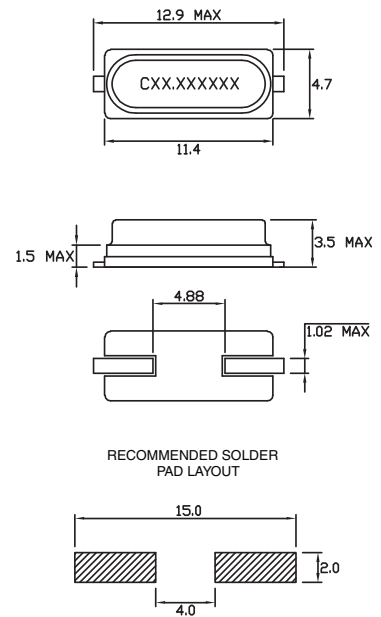
Optional Features: Tape and Reel (1K per Reel)

Note: Not all combinations of the above tolerances, stabilities, and temperature ranges are available. Consult the factory if your requirement is not standard.

Resistance Chart: All resistances are maximum

EQUIVALENT SERIES RESISTANCE (ESR), MODE OF OPERATION (MODE), AND CUT					
Frequency MHz	ESR(Ω)	Mode/cut	Frequency MHz	ESR(Ω)	Mode/cut
3.579545~4.999	200 Max	Fund./AT	15.000~15.999	60 Max	Fund./AT
5.000~5.999	150 Max	Fund./AT	16.000~23.999	50 Max	Fund./AT
6.000~7.999	120 Max	Fund./AT	24.000~30.000	40 Max	Fund./AT
8.000~8.999	90 Max	Fund./AT			
9.000~9.999	80 Max	Fund./AT	24.576~29.999	150 Max	3rd Overtone/AT
10.000~14.999	70 Max	Fund./AT	30.000~75.000	100 Max	3rd Overtone/AT

CSM4



CSM5

