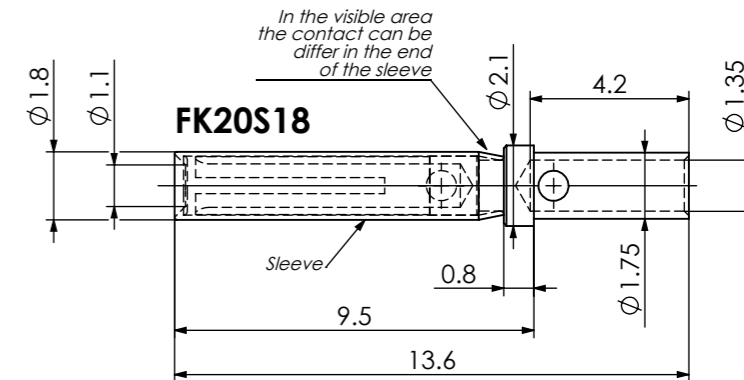
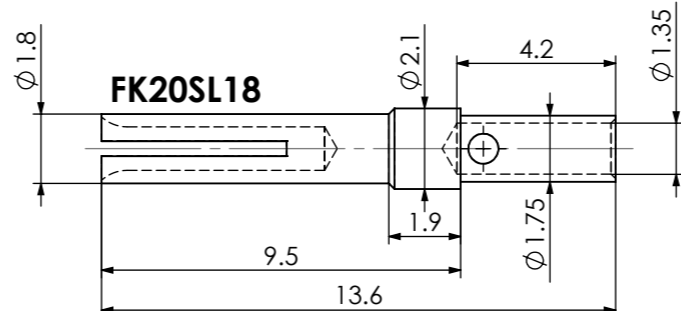
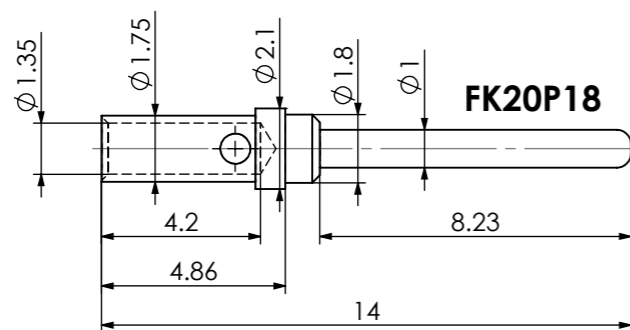


PIN Material: Brass

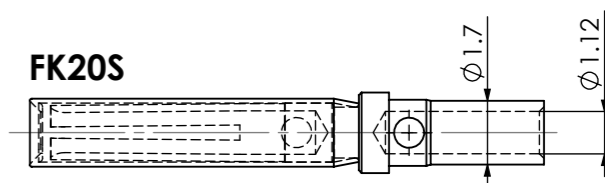
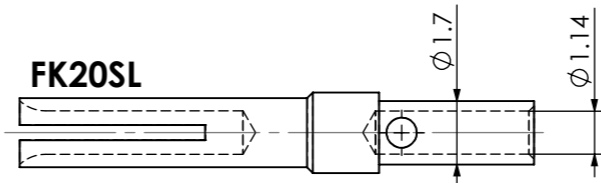
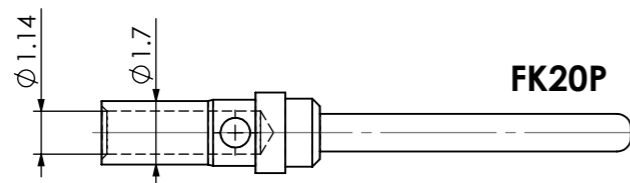
SOCKET Material: Copper alloy

SOCKET Material: Copper alloy with sleeve made of stainless steel

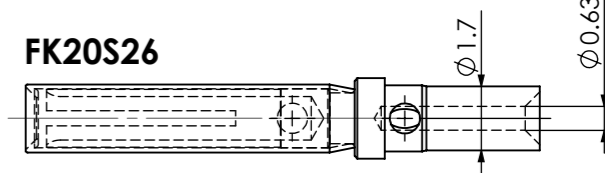
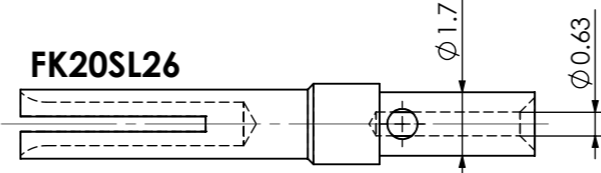
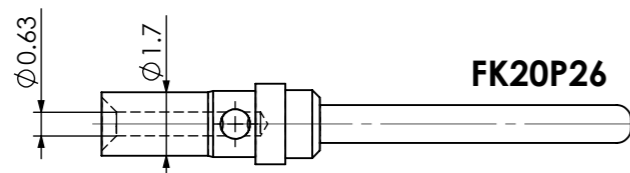
AWG 18-22



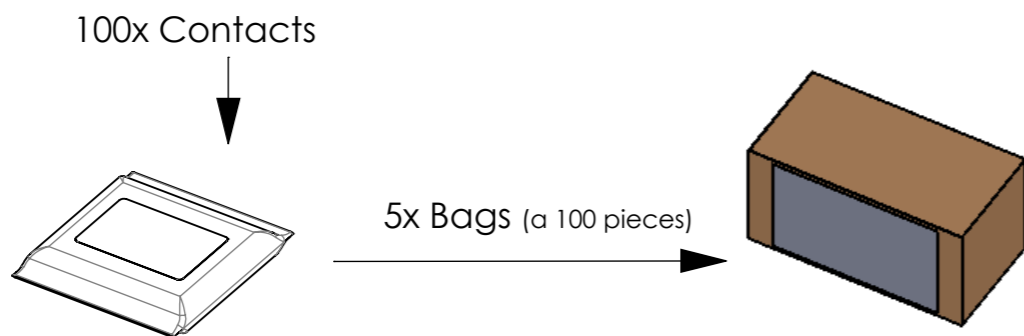
AWG 20-24



AWG 26-28



Packing unit



Ordering Example **FK20S-13V-5783**

Crimp socket contact for wire size 20-24 plating 1.3 μ m Au over Ni

Crimping Tools see catalogue.

| | | | |
|---------------------|------------------------------|--------------------------|--------------|
| FK20... | 1.3 μ m Au (over Ni) | ... -13V ... | -5783 |
| Please select above | 0.8 μ m Au (over Ni) | ... -08V ... | |
| | 0.2 μ m Au (over Ni) | ... -02V ... | |
| Part No. | Surface plating/Colour/Class | Addition to Order Number | Modification |

| | |
|--|-----------|
| Measurement without tolerance occ. to ISO 2768-m | SCALE 5:1 |
| NAME / DATE | |
| DRAWN sschref 27-08-2015 | |
| CHECKED sschref 27-08-2015 | |



TITLE
Machined Contacts for Crimp Connectors

DWG.NO. **FK20-xx-5783_D** REV. 1

COMMENT: ALL RIGHTS ARE RESERVED BY US FOR THIS DRAWING. WITHOUT OUR PRIOR CONSENT, IT MAY NEITHER BE DUBLICATED NOR MADE AVAILABLE TO A THIRD PARTY. AND IT ALSO MAY NOT BE IMPROPERLY USED BY THE RECEIVER, OR A THIRD PARTY.