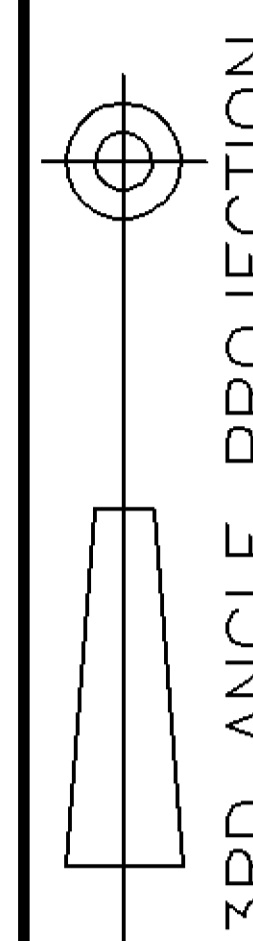


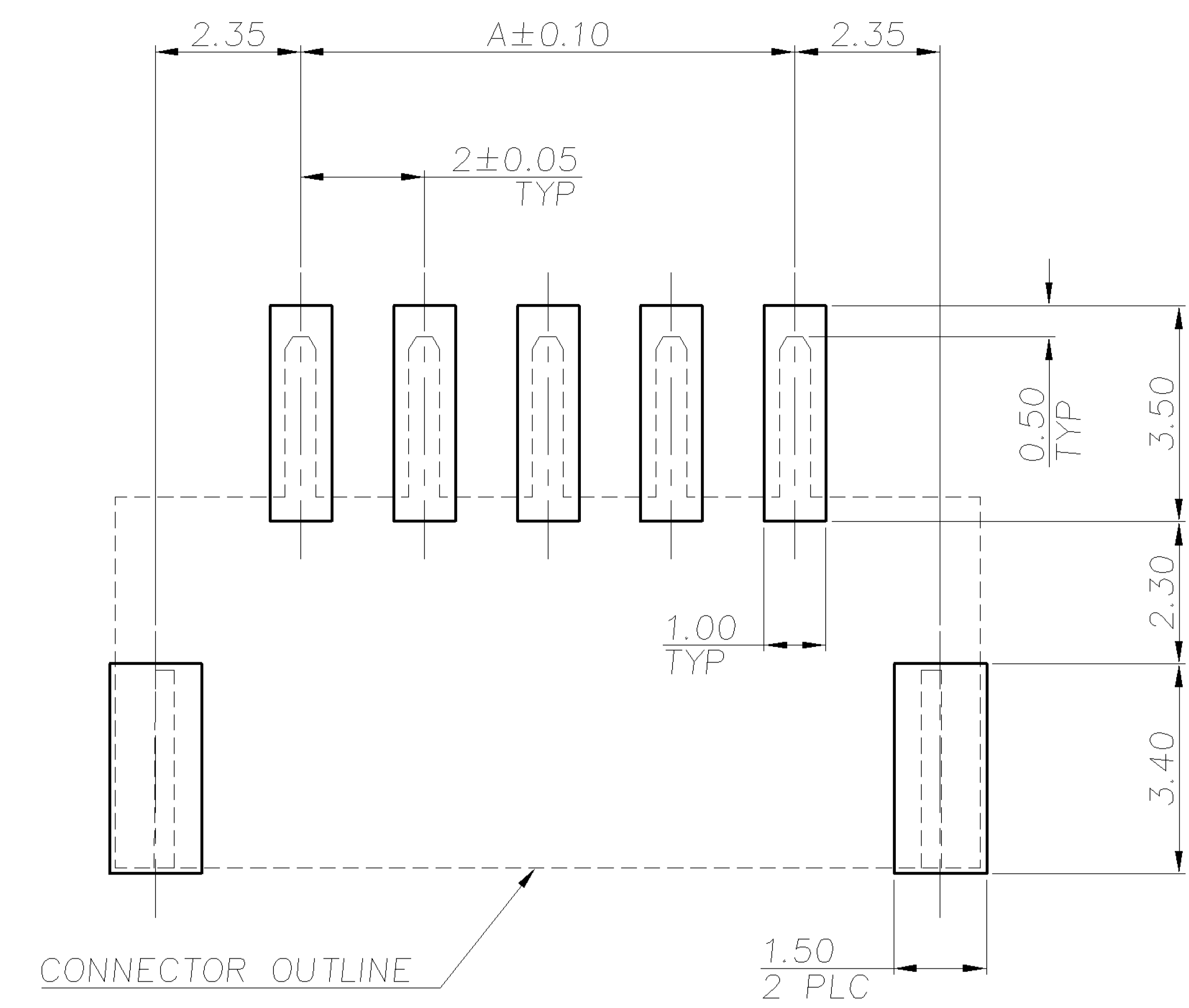
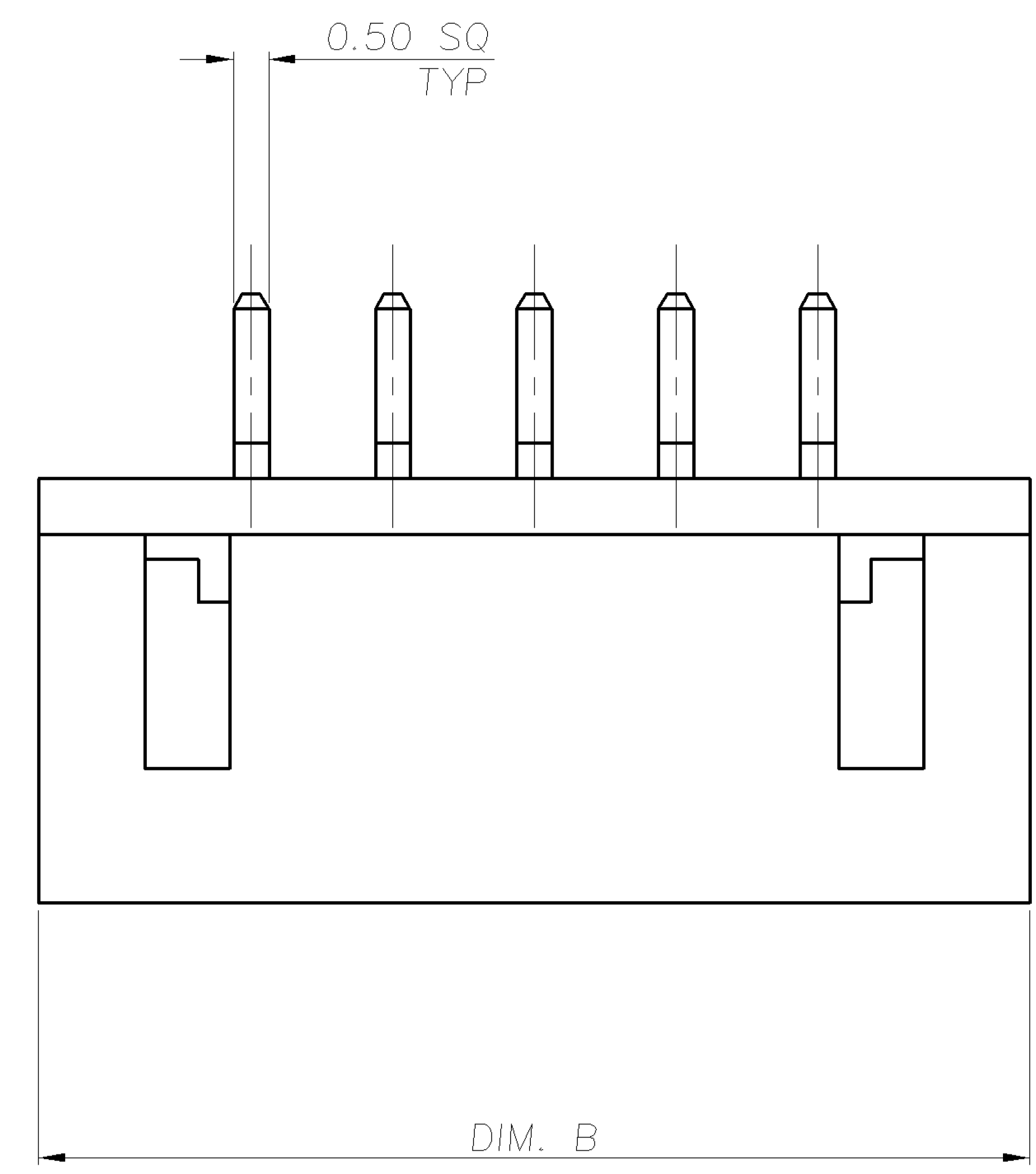
NUMBER  
C-1734827



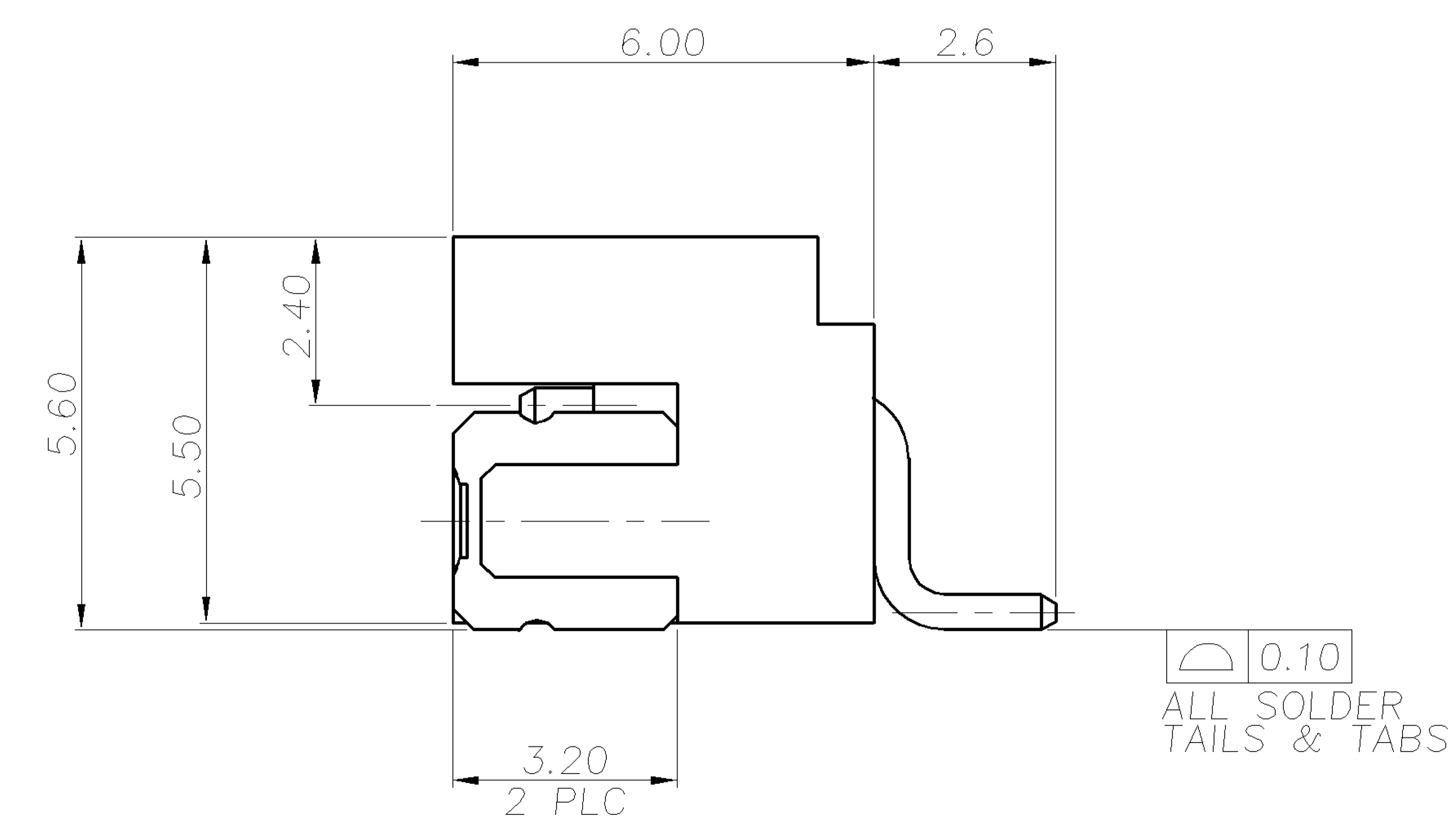
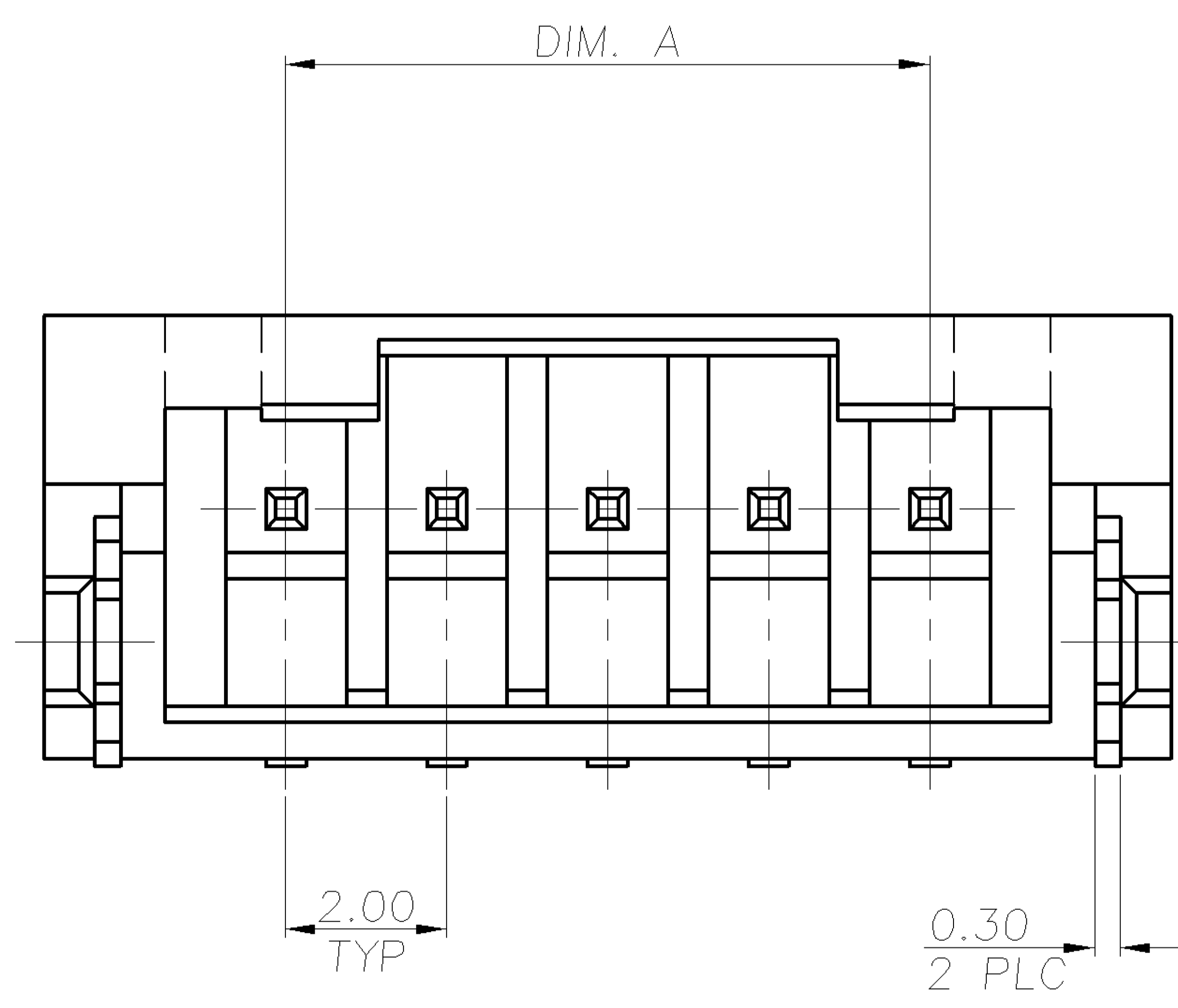
METRIC

DIMENSIONS IN MILLIMETERS. DO NOT SCALE PRINT.

PRINT  
DW



RECOMMENDED PCB LAYOUT



NOTE:

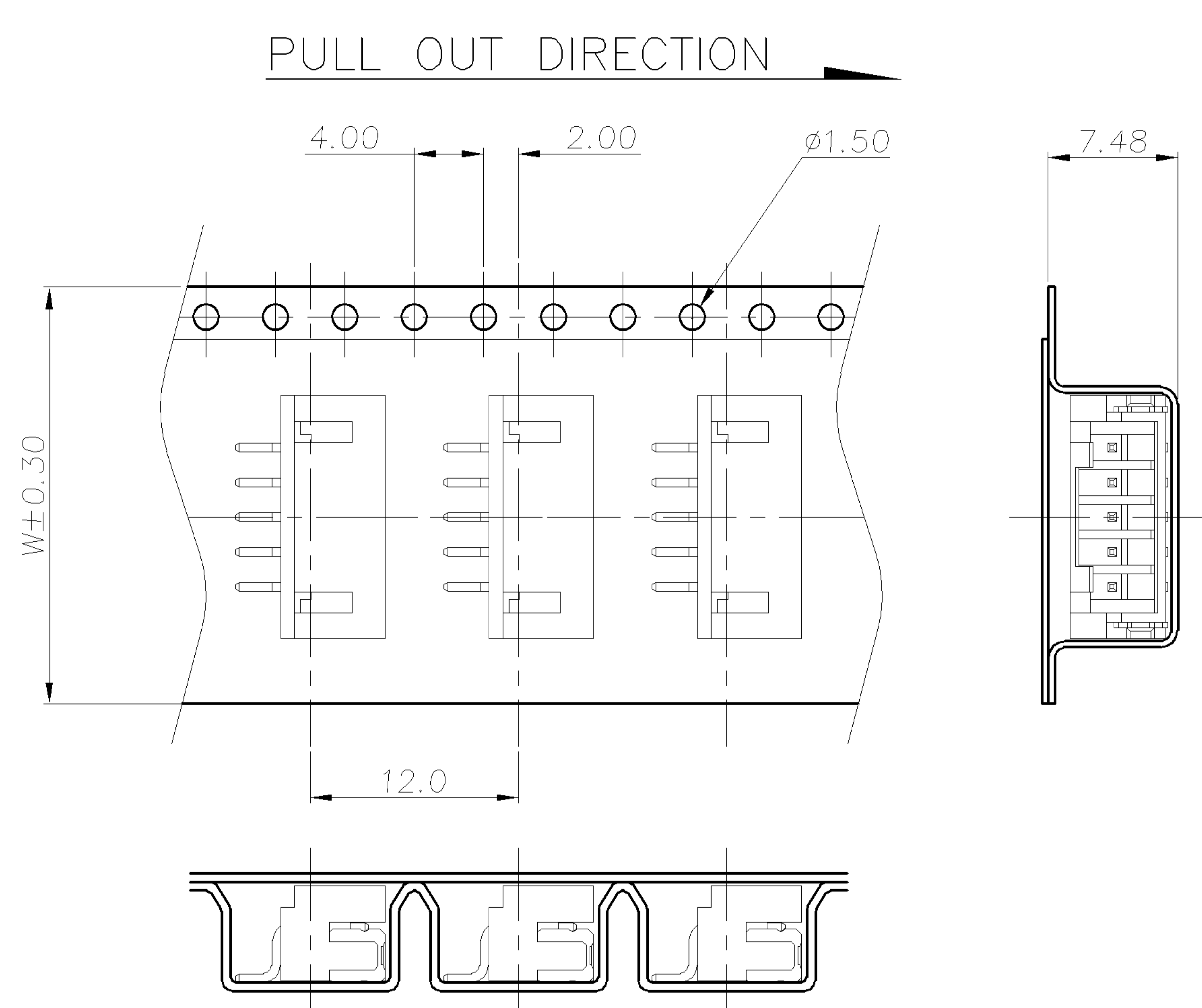
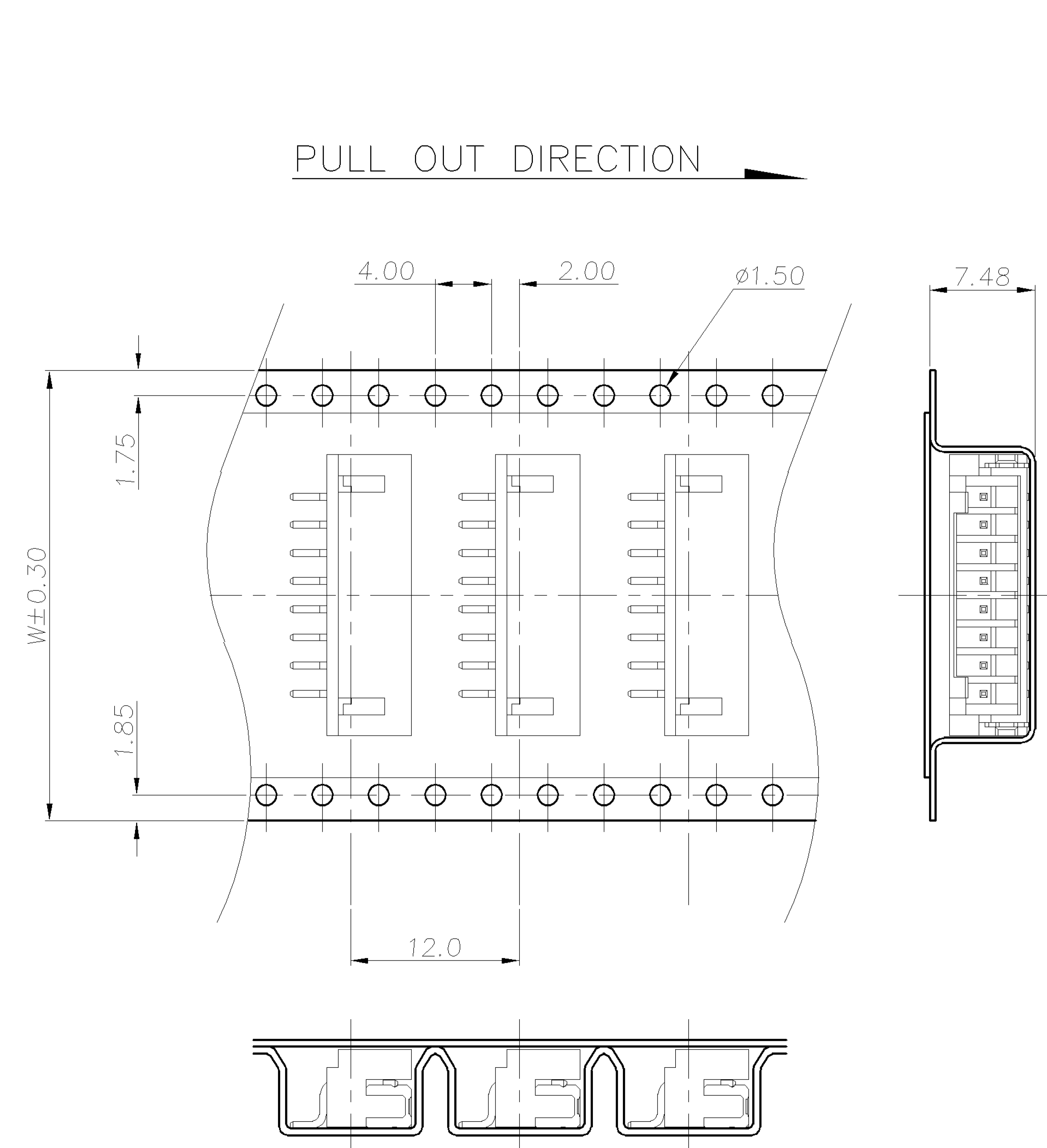
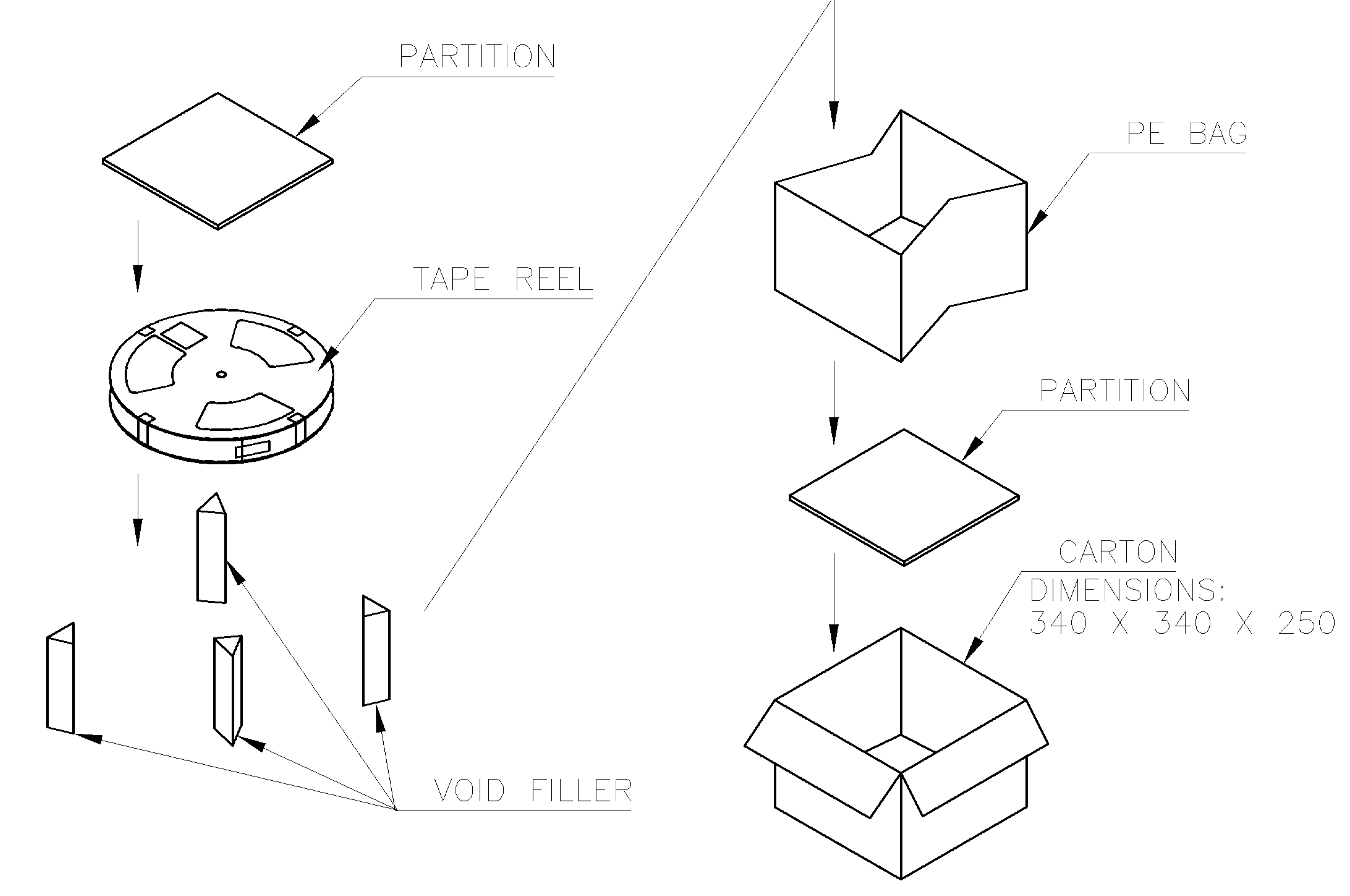
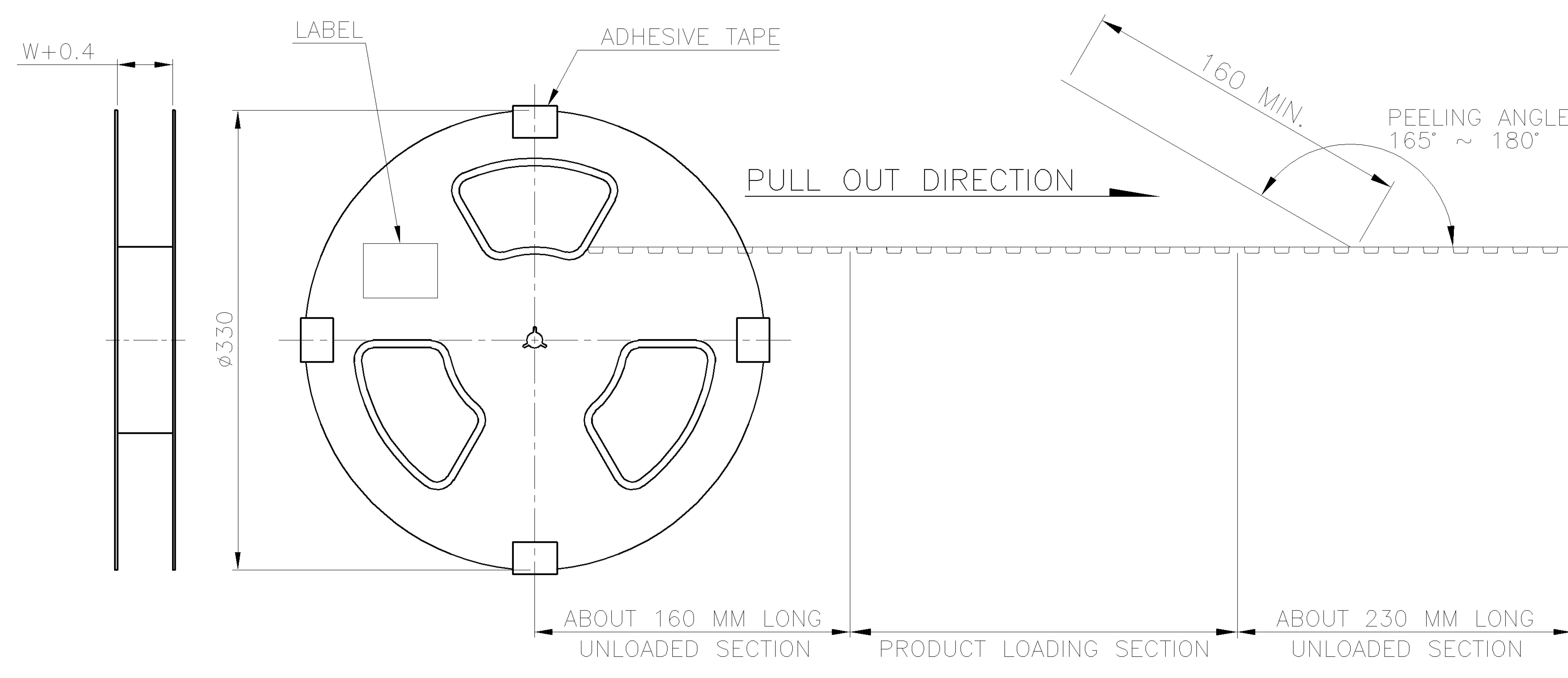
- MATERIAL:  
HOUSING: THERMOPLASTIC (PA9T) WITH 33% GF, UL 94V-0, NATURE COLOR.  
CONTACTS: BRASS.  
TABS: PHOSPHOR BRONZE.
- FINISH:  
CONTACTS: 2.54μm [100μ"] MIN. MATTE-TIN OVER 1.27μm [50μ"] MIN. NICKEL ON ENTIRE CONTACT.  
TABS: 2.54μm [100μ"] MIN. OVER 1.27μm [50μ"] NICKEL PLATED.
- REFLOW SOLDER CAPABLE TO 260°C AS PER **TE Connectivity** SPEC. 109-201, CONDITION B.
- NO TYCO LOGO AND DATE CODE ON THE PRODUCT.

1.04g	34.00	28.00	15	1-1734827-5
0.98g	32.00	26.00	14	1-1734827-4
0.93g	30.00	24.00	13	1-1734827-3
0.90g	28.00	22.00	12	1-1734827-2
0.82g	26.00	20.00	11	1-1734827-1
0.78g	24.00	18.00	10	1-1734827-0
0.72g	22.00	16.00	9	1734827-9
0.66g	20.00	14.00	8	1734827-8
0.60g	18.00	12.00	7	1734827-7
0.54g	16.00	10.00	6	1734827-6
0.48g	14.00	8.00	5	1734827-5
0.42g	12.00	6.00	4	1734827-4
0.36g	10.00	4.00	3	1734827-3
0.30g	8.00	2.00	2	1734827-2
WEIGHT	B	A	NO. OF CONTACTS	PART NUMBER
	DIMENSIONS			

TOLERANCES UNLESS OTHERWISE SPECIFIED: 0 PLC ±0.50 1 PLC ±0.38 2 PLC ±0.25 3 PLC ±0.15 ANGLES ±5°	DWN	A. WU				
		22-MAY-2006				
MATERIAL  SEE NOTE	CHK	S. HOU	NAME  <b>2.0 WIRE TO BOARD CONNECTOR, 0.5 SQ PIN, HEADER, R/A, SMT</b>			
		22-MAY-2006				
FINISH  SEE NOTE	APVD	W.J. KE	PRODUCT SPEC 108-57449			
		22-MAY-2006				
	QUALIFICATION TEST REPORT	501-57517	LOC	SIZE	DRAWING NO	REV
	WEIGHT	SEE TABLE	DW	A <sub>3</sub>	C-1734827	A1
			SCALE	SHEET		
				1 OF 2		

A1	REVISED PER ECO-11-005301	RK	HMR	5APR11	
LTR	REVISION RECORD	ECO	DWN	CHK	DATE

NUMBER C-1734827  
 METRIC  
 3RD ANGLE PROJECTION



PRODUCT LOADING FOR 2 TO 6 CONTACTS

PRODUCT LOADING FOR 7 TO 15 CONTACTS

900	PCS/TAPE	REELS/CARTON	QUANTITY	DIM W	G/W (KG)	N/W (KG)	NO. OF CONTACTS
					3.73	2.81	
3	2700	56	56	3.73	2.81	15	
					3.57	2.65	14
					3.43	2.51	13
4	3600	44	44	4.20	3.24	12	
					3.91	2.95	11
6	5400	32	32	4.68	3.90	9	
					4.68	3.56	8
					4.28	3.24	7
7	6300	24	24	4.48	3.40	6	
					4.10	3.02	5
					3.73	2.65	4
					3.35	2.27	3
					2.97	1.89	2

TOLERANCES UNLESS OTHERWISE SPECIFIED: 0 PLC ±- 1 PLC ±- 2 PLC ±- 3 PLC ±- ANGLES ±-		DWN A. WU 22-MAY-2006		
MATERIAL -		CHK S. HOU 22-MAY-2006		
FINISH -		APVD W.J. KE 22-MAY-2006	2.0 WIRE TO BOARD CONNECTOR, 0.5 SQ PIN, HEADER, R/A, SMT	
WEIGHT		PRODUCT SPEC	LOC DW	SIZE A <sub>3</sub>
LTR		APPLICATION SPEC	DRAWING NO	REV A1
REVISION RECORD		SCALE	C-1734827	2 OF 2
SEE SHEET 1.		SHEET		
ECO	DWN	SHEET		
CHK	CHK	2 OF 2		
DATE	DATE			

LTR	REVISION RECORD	SEE SHEET 1.	DWN	CHK	DATE
		ECO			

DIMENSIONS IN MILLIMETERS. DO NOT SCALE PRINT.

PRINT DIST  
DW