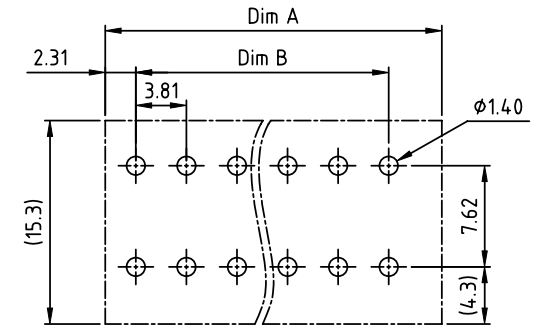
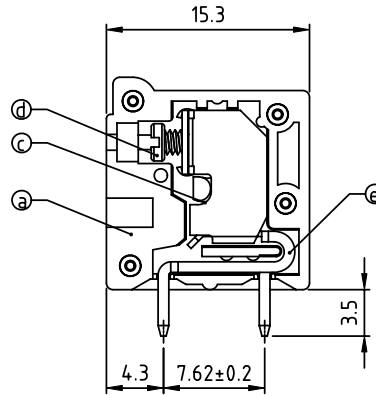
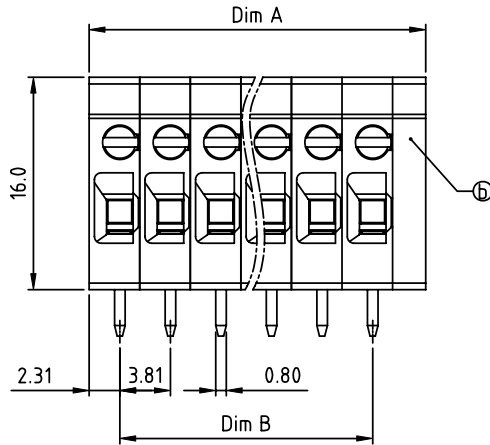


PRODUCT NUMBER	PITCH
TRxx35x100J0G	3.81 mm



RECOMMENDED P.C.B LAYOUT
TOP VIEW

Material:

- Item ③ Terminal housing: Thermoplastic (UL94V-0)
- Item ④ Terminal cover: Thermoplastic (UL94V-0)
- Item ⑤ Metal housing: Steel, Zinc plated
- Item ⑥ Terminal screw: Steel Zinc plating "-" slot type.
- Item ⑦ Solder pin: Brass, Tin plated.

Electrical:

- | | |
|--------------------------|-----------------|
| | cULus |
| ● Voltage rating: | 300V |
| ● Current rating: | 8A |
| ● Wire range: | |
| ● Solid wire(AWG): | 16-26 |
| ● Stranded wire(AWG): | 16-26 |
| ● Torque: | 2Lb-In. |
| ● Screw: | M2 |
| ● Wire strip length: | 8-9mm |
| ● Withstanding Voltage: | 1.6KV |
| ● Operating temperature: | -40°C to +115°C |
| ● Soldering temperature: | 260°C±5°C/5 Sec |
| ● Safety Approval : | us |

N = Number of poles
Dim A = N x 3.81 + 2.5
Dim B = (N - 1) x 3.81

Poles	Tolerance
1p	±0.10
2p-6p	±0.15
7p-12p	±0.25
13p-18p	±0.35
19p-24p	±0.40

PART NO.: TR xx 3 5 x 1 00J0 G

- | | | | |
|---------------|---|-------------------|--|
| End stackable | 0 | Black (RAL9005) | RoHS compliant
(lead<4%)
In copper Alloy |
| No. of poles | 2 | Red (RAL3001/D) | |
| 01 1 pole | 3 | Orange(RAL2011/P) | |
| 02 2 poles | 4 | Yellow(RAL1018/A) | |
| | 5 | Green(RAL6018/T) | |
| 24 24 poles | 6 | Blue (RAL5015/A) | |
| | 8 | Grey(RAL7035/D) | |
| | 9 | White(RAL1102) | |
| | C | Green(RAL6018/U) | |

mat'l. code		surface ASME Y14.5	tolerance ASME Y14.5	projection 	product family TERMINAL BLOCK		
ltr	ecn no	dr	date		title TERMINAL BLOCK		
				tolerances unless otherwise specified	WIRE PROTECTOR,180D WIRE INLET		
				angles 	scale		
				X.±0.5	MM		
				X.X±0.3			
				X'±1"	X.XX±0.1		
dr		EVIN ZHONG	040114		dwg no	sheet 1 of 1	size
enr		EVIN ZHONG	040114		TRxx35x100J0G	A4	
chr		HANKE FENG	040114				
appd		SHI JUN	040114		type	CUSTOMER Drawing	
sheet index	revision sheet	A	1				