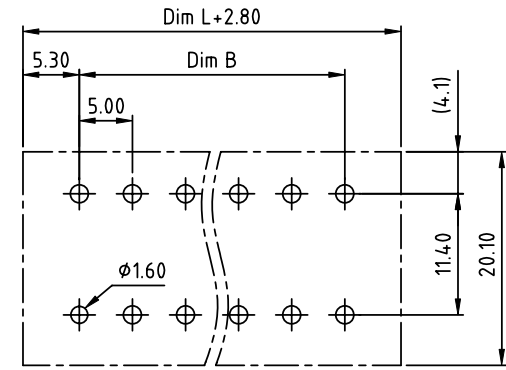
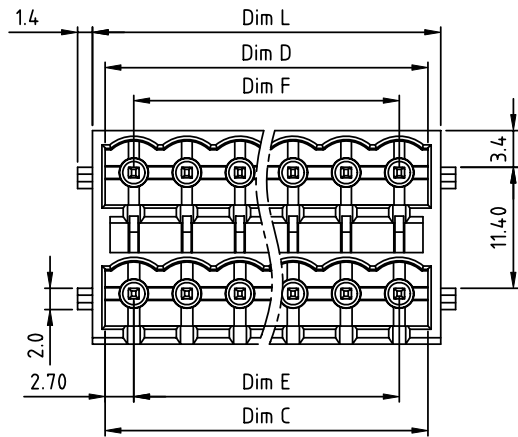
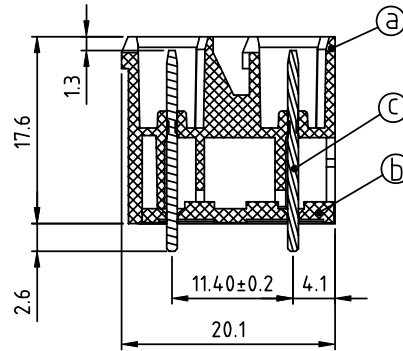
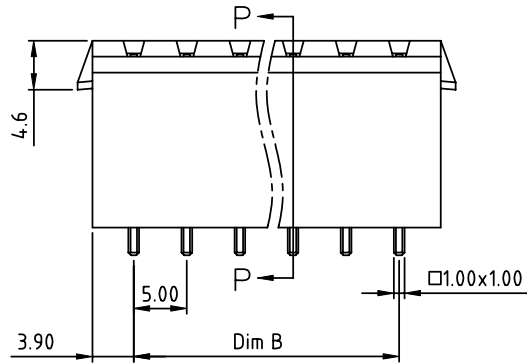


PRODUCT NUMBER	PITCH
KExx73x200J0G	5.00 mm



RECOMMENDED P.C.B LAYOUT  
TOP VIEW



SECTION P-P

Material:

- Item ① Terminal(housing): Thermoplastic (UL94 V-0)
- Item ② Terminal(cover): Thermoplastic (UL94 V-0)
- Item ③ Pin: Copper Tin plated

Electrical:

- Voltage rating: 300V
- Current rating: 12A
- Withstanding Voltage: 1.6KV
- Operating temperature: -40°C to +115°C
- Soldering temperature: 260°C±5°C/5 Sec
- Safety Approval: cULus

PART NO.: KE xx 7 3 x 2 00J0 G

N=Number of poles

Dim L=(N/2)×5.0+2.8    Dim D=(N/2-1)×5.0+5.4

Dim B=(N/2-1)×5.0    Dim E=(N/2-1)×5.0

Dim C=(N/2-1)×5.0+5.4    Dim F=(N/2-1)×5.0

Poles	Dim L	Dim B	Dim C	Dim D	Dim E
2×2P-2×6P	±0.15	±0.15	+0.05 -0.05	+0.05 -0.05	±0.15
2×7P-2×12P	±0.25	±0.25	+0.10 -0.05	+0.10 -0.05	±0.25
2×13P-2×18P	±0.35	±0.35	+0.20 -0.05	+0.20 -0.05	±0.35
2×19P-2×24P	±0.40	±0.40	+0.25 -0.10	+0.25 -0.10	±0.40

	Solid block	No. of poles	Color	RoHS compliant (lead<4%) In copper Alloy
0	Black (RAL9005)	2	Red (RAL3001/D)	
3	Orange(RAL2011/P)	3	Yellow(RAL1018/A)	
4	Green(RAL6018/T)	4	Blue (RAL5015/A)	
5	Grey(RAL7035/D)	5	White(RAL1102)	
6	Green(RAL6018/U)	6		

mat'l. code		surface ASME Y14.5	tolerance ASME Y14.5	projection	product family TERMINAL BLOCK
ltr	ecn no	dr	date	tolerances unless otherwise specified	title TERMINAL BLOCK
				angles X°±1°	PLUGGABLE SOCKET,VERTICAL,W/LATCH HOLDER
				scale	dwg no KExx73x200J0G
				dr EVIN ZHONG 042414	sheet 1 of 1 size A4
				enr EVIN ZHONG 042414	type CUSTOMER Drawing
				chr HANKE FENG 042414	
				appd SHI JUN 042414	
sheet index	revision sheet	A	1		