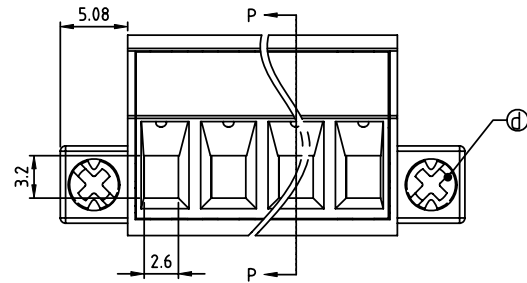
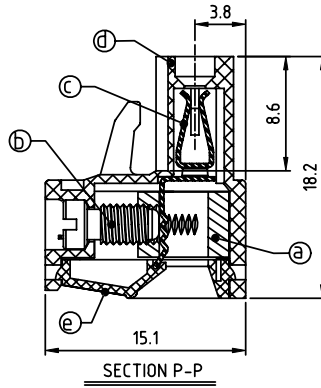
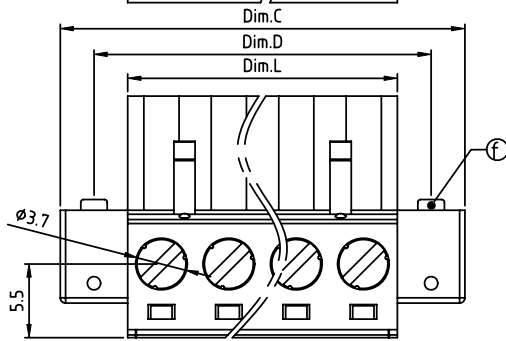
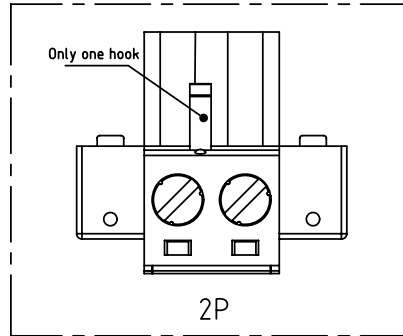
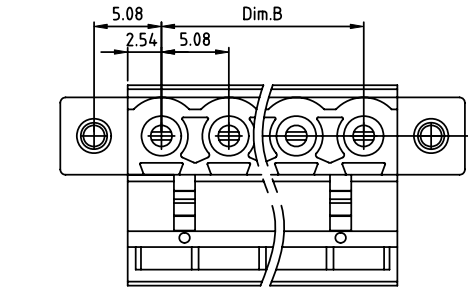


PRODUCT NUMBER	PITCH
TJxx51x200J0G	5.08 mm



Material

- Item (a) Clamp: Brass(CuZn) Ni plated
- Item (b) Terminal screw: Steel Zinc plating "-" slot type
- Item (c) Female contact: High conductivity copper, Tin plated
- Item (d) Terminal Cover: Thermoplastic (UL94V-0)
- Item (e) Terminal housing: Thermoplastic (UL94V-0)
- Item (f) With flange screw: Steel Zinc plating M2.5"/+/-" slot type Electrical cULus/VDE/TUV
- Voltage rating: 300VAC/300VAC/300VAC
- Current rating: 20A/20A/20A
- Wire range: 2.5mm²/0.34-2.5mm
- Solid wire(AWG): 12-24/14-22
- Stranded wire(AWG): 12-24/14-22
- Torque: 5Lb-In/0.5Nm/0.56Nm
- Screw: M3
- Wire strip length: 7-8mm
- Withstanding Voltage: 1.6KV/2.5KV/2.5KV
- Operating temperature: -40°C to +115°C
- Safety Approval: cULus VDE TÜV

PART NO.: TJ xx 51x 2 00J0 G

No. of poles	Color	RoHS compliant (lead<4%)
02 2 poles	2 Black (RAL9005)	In copper Alloy
03 3 poles	2 Red (RAL3001/D)	
...	3 Orange(RAL2011/P)	
...	4 Yellow(RAL1018/A)	
24 24 poles	5 Green(RAL6018/T)	
	6 Blue (RAL5015/A)	
	8 Grey(RAL7035/D)	
	9 White(RAL1102)	
	C Green(RAL6018/U)	

N= Number of poles

Dimension

Dim L	Nx5.08
Dim B	(N-1)x5.08
Dim C	(N+2)x5.08
Dim D	(N+1)x5.08

Poles	Tolerance
2P-7P	±0.15
8P-12P	±0.25
13P-18P	±0.30
19P-24P	±0.40

mat'l. code		surface ASME Y14.5	tolerance ASME Y14.5	projection	product family TERMINAL BLOCK
ltr	ecn no	dr	date	tolerances unless otherwise specified	title
				angles X±0.5	TERMINAL BLOCK
				X.X±0.3	PLUGGALBE PLUG,DOWN CONTACT,WITH FLANGE
				X'±1"	X.XX±0.1
		dr	HANKE FENG	032214	scale
		enr	HANKE FENG	032214	FCI
		chr	SHI JUN	032214	dwg no
		appd	SHI JUN	032214	TJxx51x200J0G
sheet index	revision	A			sheet 1 of 1 size
	sheet	1			A4
					type
					CUSTOMER Drawing