

Customer Information Sheet

DRAWING No.: C90-3106FXXSX-XX

SHEET 2 OF 2

IF IN DOUBT - ASK

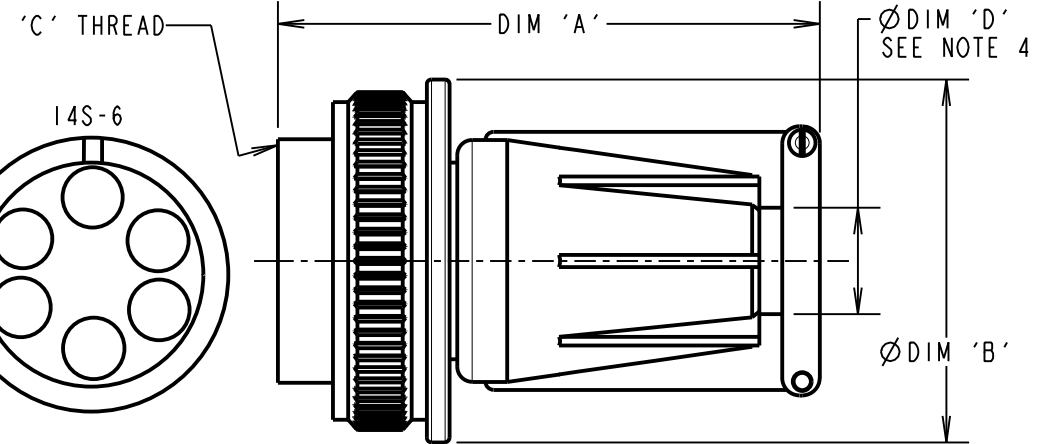
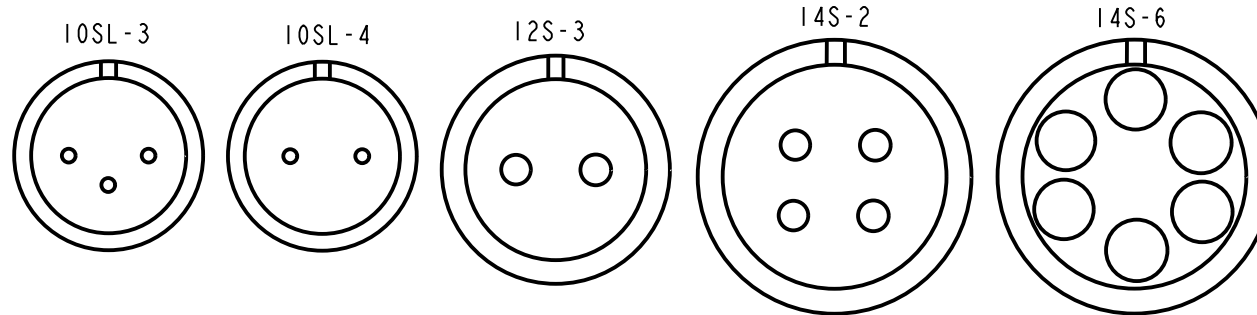
©

NOT TO SCALE

THIRD ANGLE PROJECTION

ALL DIMENSIONS IN mm

**CONTACT LAYOUT
(SHOWN LOOKING AT THE MATING FACE)**



SPECIFICATIONS:

MATERIAL:
 SHELL = ALUMINIUM ALLOY
 INSULATOR = SYNTHETIC RUBBER
 GROMMET = SYNTHETIC RUBBER
 CONTACT = COPPER ALLOY

FINISH:
 SHELL = ZINC WITH BLACK CHROMATE COATING
 CONTACT = SILVER

ENVIRONMENTAL:
 OPERATING TEMPERATURE = -55°C TO +125°C

MECHANICAL:
 VIBRATION SENSITIVITY = 10Hz TO 500Hz, 98mm/s² (10G)
 SHOCK SEVERITY = 490m/s² (50G) FOR 11ms
 WATER RESISTANCE (SEALING) = 1.8m FOR 48HRS, EXCEEDS IP67

ELECTRICAL:
 CURRENT RATING = 13A
 VOLTAGE RATING = 10SL, 12S SHELL SIZES: 500V AC, 700V DC
 14S SHELL SIZE: 200V AC, 250V DC
 VOLTAGE PROOF = 10SL & 12S: 2,000V AC
 14S: 1,000V AC
 INSULATION RESISTANCE = 5,000MΩ MIN
 FOR MECHANICAL/ELECTRICAL REQUIREMENTS,
 SEE COMPONENT SPECIFICATION C045XX (LATEST ISSUE)

ORDER CODE:
C90-3106FXXXX-XX

SHELL SIZE (CONTACT LAYOUT):
 10SL-3, 10SL-4, 12S-3, 14S-2
 14S-6

CONTACT GENDER:
 P - MALE
 S - FEMALE

- NOTES:**
1. PRODUCT IS RoHS COMPLIANT.
 2. PRODUCT IS PACKED IN BAGS.
 3. RECOMMENDED WIRE SIZE 16-22 AWG.
 4. CABLE CLEARANCE.
 5. RECOMMENDED WIRE STRIP LENGTH = 7.5mm.

SHELL SIZE	DIM 'A' MAX	Ø DIM 'B' MAX	'C' THREAD	Ø DIM 'D' MAX
10SL	54.10	24.10	5/8-24UNEF	7.14
12S	54.10	25.30	3/4-20UNEF	7.14
14S	55.91	28.53	7/8-20UNEF	10.31

SB	7	25.06.13	12118
NAME	ISS.	DATE	C/NOTE
APPROVED:		S.BENNETT	
CHECKED:		S.FLOWER	
DRAWN:		R.ADDE	
CUSTOMER REF.:			
ASSEMBLY DRG:			



www.harwin.com
 technical@harwin.com

THIS DRAWING AND ANY INFORMATION OR DESCRIPTIVE MATTER SET OUT HEREON ARE CONFIDENTIAL AND COPYRIGHT PROPERTY OF THE HARWIN GROUP AND MUST NOT BE DISCLOSED, LOANED, COPIED OR USED FOR MANUFACTURING, TENDERING OR FOR ANY OTHER PURPOSE WITHOUT THEIR WRITTEN PERMISSION.

TOLERANCES
 X. = ±1mm
 X.X = ±0.25mm
 X.XX = ±0.10mm
 X.XXX = ±0.01mm
 ANGLES = ±5°
 UNLESS STATED

MATERIAL:
 SEE ABOVE

FINISH: SEE ABOVE

S/AREA: mm²

TITLE:
 STRAIGHT PLUG

DRAWING NUMBER:
C90-3106FXXSX-XX

SHT 2 OF 2