

## Features

- Shielded construction
- Unit height of 4 mm
- Inductance range: 0.5  $\mu$ H to 1.8  $\mu$ H
- Current up to 13 A
- RoHS compliant\*

## Applications

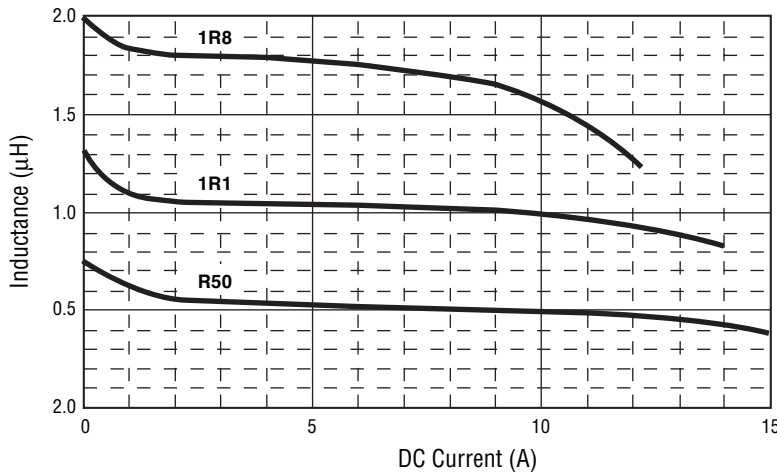
- Input/output of DC/DC converters
- Power supplies for:
  - Portable communications equipment
  - Camcorders
  - LCD TVs
  - Car audio systems

# SRP1204 Series - Shielded Power Inductors

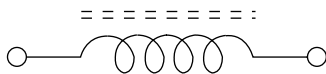
## Electrical Specifications

Bourns Part No.	Initial Inductance L0 ( $\mu$ H)	Inductance at Flat Point L1 ( $\mu$ H)	Flat Point ref. (A)	I rms (A)	I sat (A)	DCR (m $\Omega$ ) max.
SRP1204-R50M	0.75 $\pm$ 20 %	0.55 $\pm$ 20 %	2.0	13.0	14.0	3.0
SRP1204-1R1M	1.30 $\pm$ 20 %	1.10 $\pm$ 20 %	2.0	12.0	13.0	4.5
SRP1204-1R8M	2.00 $\pm$ 20 %	1.80 $\pm$ 20 %	2.0	10.0	11.0	6.0

## L vs I Charts



## Electrical Schematic



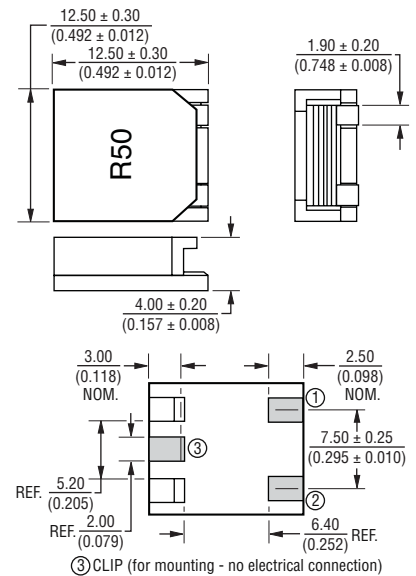
## General Specifications

Test Voltage.....1 V  
 Test Frequency .....100 KHz  
 Reflow Soldering.....230 °C; 50 sec max.  
 Operating Temperature ..-55 °C to +150 °C  
 (Temperature rise included)  
 Storage Temperature...-55 °C to +150 °C  
 Resistance to Soldering Heat  
 .....+260 °C for 10 sec.

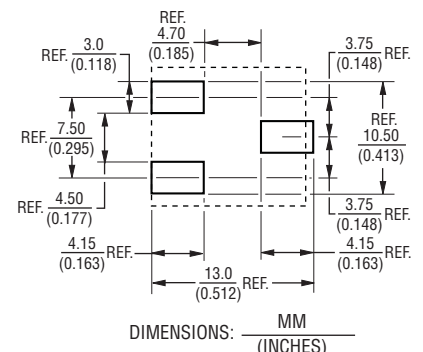
## Materials

Core.....Ferrite ER  
 Wire.....Enameled copper  
 Terminal.....Cu/Ni/Sn  
 Rated Current.....Ind. drops 20 % at I sat  
 Temperature Rise.....40 °C at rated I rms  
 Packaging .....800 pcs. per 13-inch reel

## Product Dimensions



## Recommended Layout

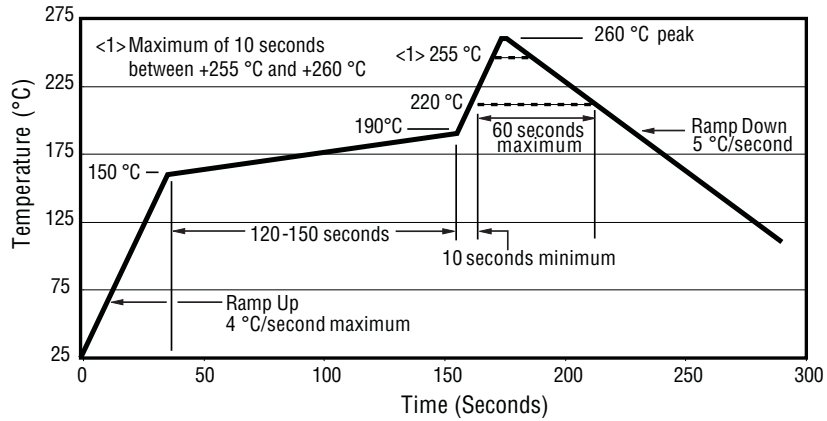


\*RoHS Directive 2002/95/EC Jan 27, 2003 including Annex.  
 Specifications are subject to change without notice.  
 Customers should verify actual device performance in their specific applications.

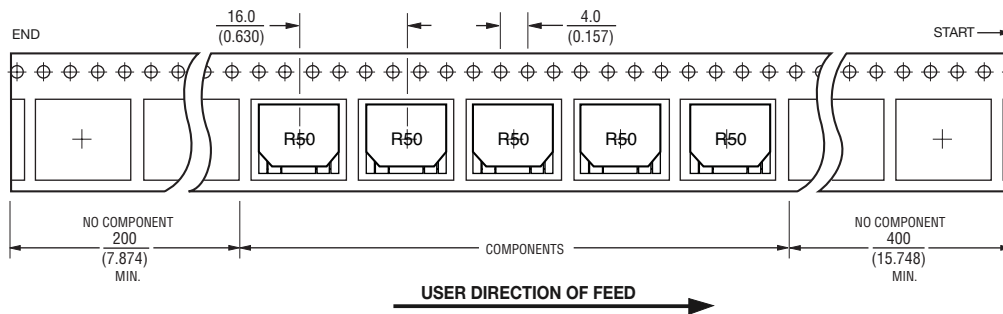
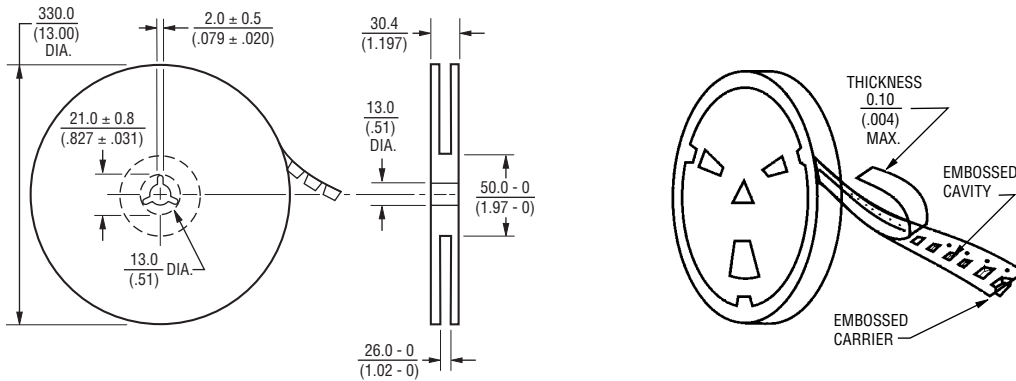
# SRP1204 Series - Shielded Power Inductors

**BOURNS®**

## Soldering Profile



## Packaging Specifications



DIMENSIONS:  $\frac{\text{MM}}{\text{(INCHES)}}$

REV. 05/11

Specifications are subject to change without notice.  
Customers should verify actual device performance in their specific applications.