

FUN MINI® STYLE BLADE FUSE RATED 125V

RoHS



Specifications

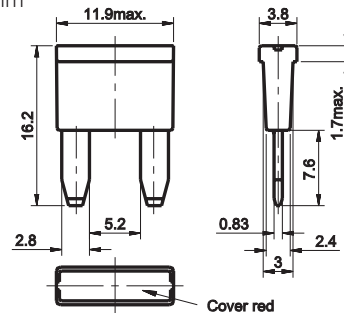
Insulating Body:	Out of thermoplastic (UL 94-V0, heat-resistant)
Cover:	Out of thermoplastic V0 Red, not transparent
Terminals:	Blade contacts Copper alloy, gal. Sn plated Edge-protected
Interrupting Rating:	1000 A @125 VDC

Ordering Information

Part Number	Package Size
125.6785.xxx2	1000
125.6785.xxx7	50

Dimensions

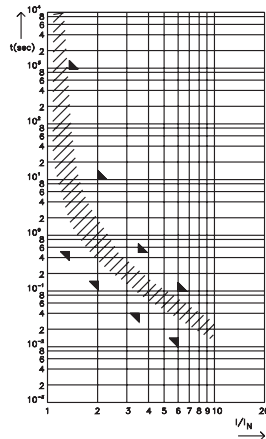
Dimensions in mm



Description

The FUN is a 125V rated MINI® style fuse. It features a three part construction with copper contacts for excellent reliability in harsh environment conditions and low voltage drop. Current ratings 3A thru 15A. Filled with arc-quenching material.

Pre-Arcing Time-Limits



FI = 1.43 (max. operating current :
0.7 x I_{rat} at 23°C)

Ratings

Part Number	Current Rating	Housing Color	Typ. Voltage Drop	Cold Resistance	I ² t
125.6785.430_	3 A		130 mV	35.0 mΩ	8.50 A ² s
125.6785.440_	4 A		120 mV	23.5 mΩ	14.5 A ² s
125.6785.450_	5 A		120 mV	18.0 mΩ	25.0 A ² s
125.6785.475_	7.5 A		110 mV	11.0 mΩ	60.0 A ² s
125.6785.510_	10 A		110 mV	8.00 mΩ	85.0 A ² s
125.6785.515_	15 A		110 mV	5.00 mΩ	155 A ² s

Corresponding holder see Section "Fuse Holders."