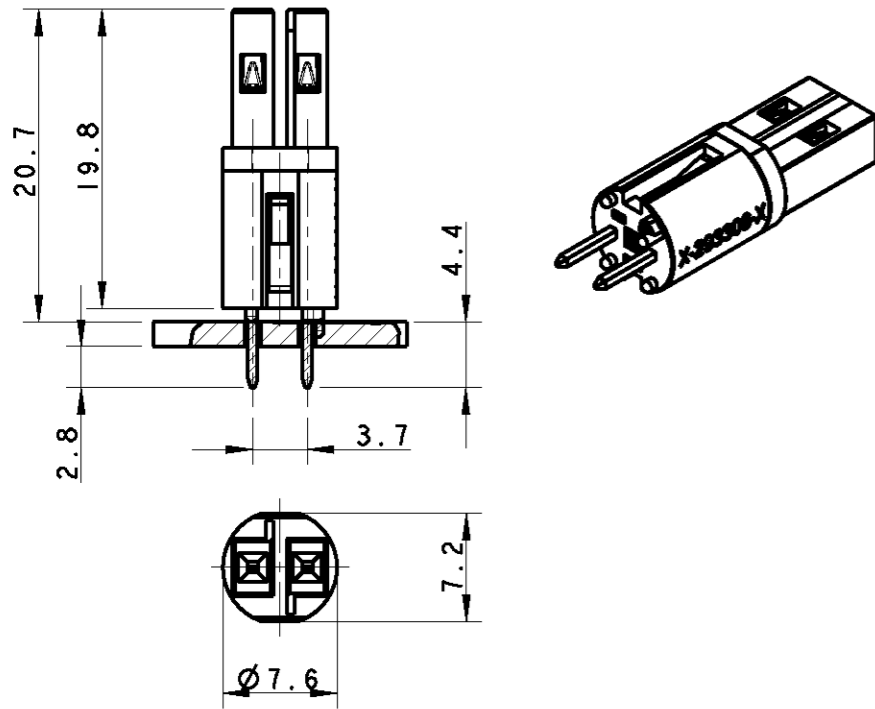


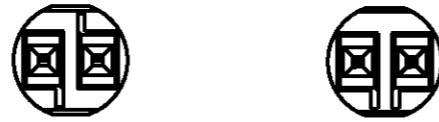
LOC	DIST	REVISIONS					
1	2	P	LTR	DESCRIPTION	DATE	DWN	APVD
			A	FIRST ISSUE	28FEB2010	AV	GT

TYPICAL APPLICATION

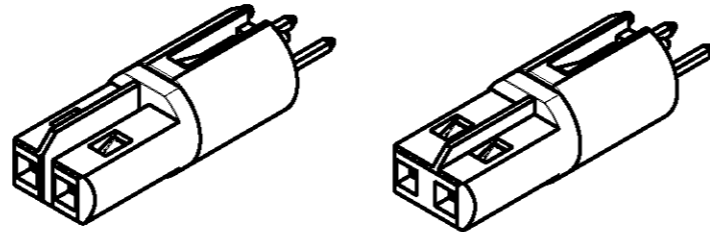


HIGH VOLTAGE

KEYING HV-2 KEYING HV-3

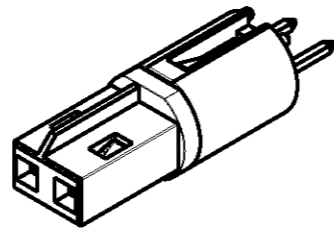


KEYING HV-4 KEYING HV-5



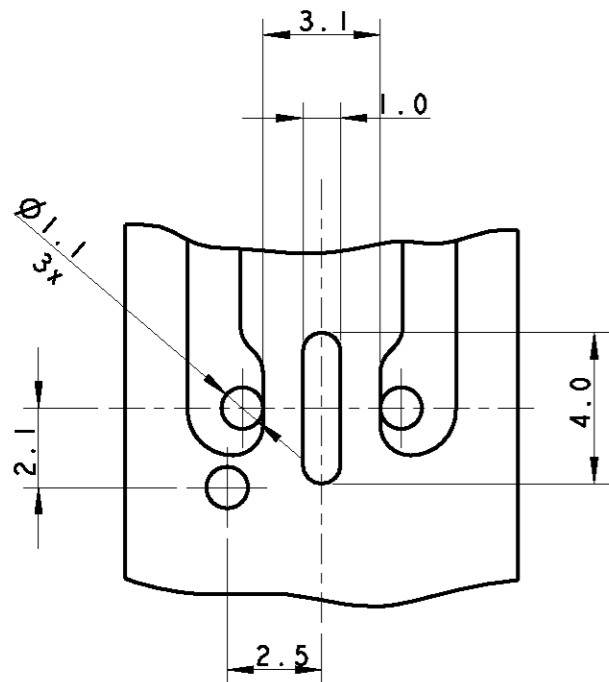
LOW VOLTAGE

KEYING LV-2



PRINTED CIRCUIT BOARD LAYOUT

TOLERANCES UNLESS OTHERWISE SPECIFIED ± 0.05
 PRINTED CIRCUIT BOARD THICKNESS: 1.6 mm NOMINAL



MATERIALS:

- 1) CONTACTS: SOLDERING SIDE TIN PLATED Ph. BRONZE
 RECEPTACLE IN SPECIAL ALLOY COPPER TIN PLATED
 HOUSING: PBT 15%GFF UL 94 V0 COLOR WHITE

- 2) P/N 293655-1 POLARIZATION KEY HV-2
 TO BE USED FOR FOR SWITCH APPLICATION ONLY
- 3) NOT YET RELEASED FOR PRODUCTION

NOTE	KEYING	REMARKS	PART NUMBER	REV
3	LV-2	LOW-VOLT 42 V DC	293655-5	A
3	HV-5	HIGH-VOLT 125 V AC	293655-4	A
3	HV-4	HIGH-VOLT 125 V AC	293655-3	A
3	HV-3	HIGH-VOLT 125 V AC	293655-2	A
2 3	HV-2	HIGH-VOLT 125 V AC	293655-1	A

<small>THIS DRAWING IS A CONTROLLED DOCUMENT FOR TYCO ELECTRONICS CORPORATION IT IS SUBJECT TO CHANGE AND THE CONTROLLING ENGINEERING ORGANIZATION SHOULD BE CONTACTED FOR THE LATEST REVISION.</small>		DWN 18FEB2010 A. Vecchia CHK 18FEB2010 G. Turco APVD 18FEB2010 G. Turco	Tyco Electronics Tyco Electronics AMP Italia S.r.l. 10093 Collegno TO
DIMENSIONS: mm	TOLERANCES UNLESS OTHERWISE SPECIFIED: 0 PLC ±0.5 1 PLC ±0.3 2 PLC ±0.3 3 PLC ±0.3 4 PLC ±0.3 ANGLES ±0.5°	PRODUCT SPEC - APPLICATION SPEC - WEIGHT -	NAME 7,5 mm PCB CONNECTOR ASSEMBLY STRAIGHT FEMALE VERSION FOR USA MARKET
MATERIAL -	FINISH -	CUSTOMER DRAWING	SIZE A3 CAGE CODE 00779 DRAWING NO C-293655 RESTRICTED TO - SCALE 2:1 SHEET 1 OF 1 REV A