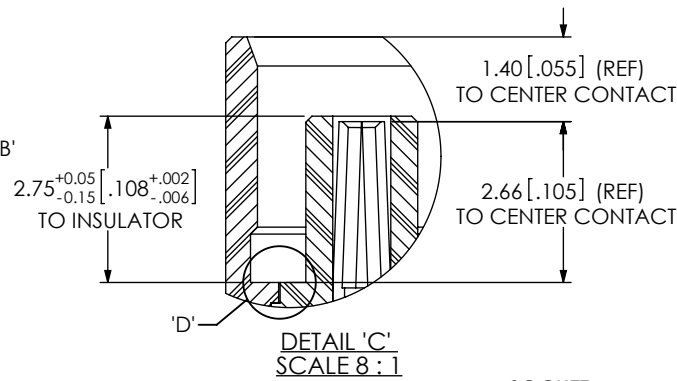
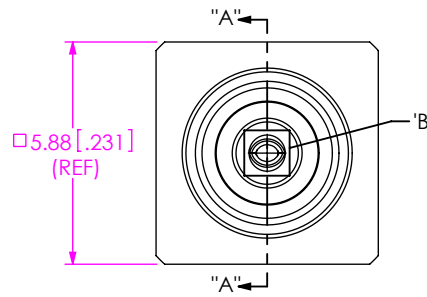


DO NOT SCALE FROM THIS PRINT

DESIGNED & DIMENSIONED IN MILLIMETERS [INCHES]

MCX-J-P-X-ST-SM1-XX



GENDER
-J: JACK

TYPE
-P: PCB

PLATING SPECIFICATION
-H: HEAVY GOLD (SEE TABLE 1)

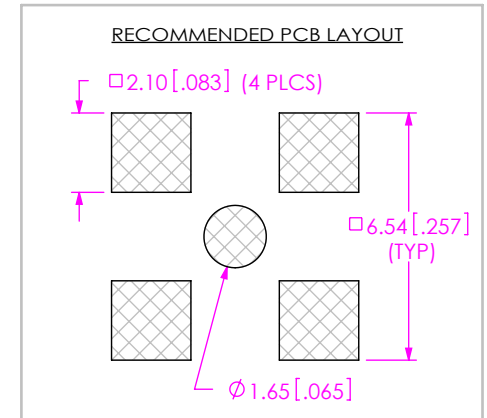
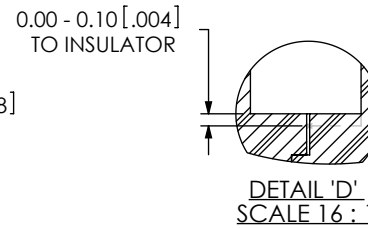
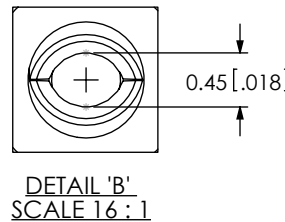
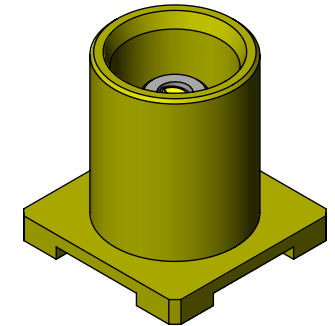
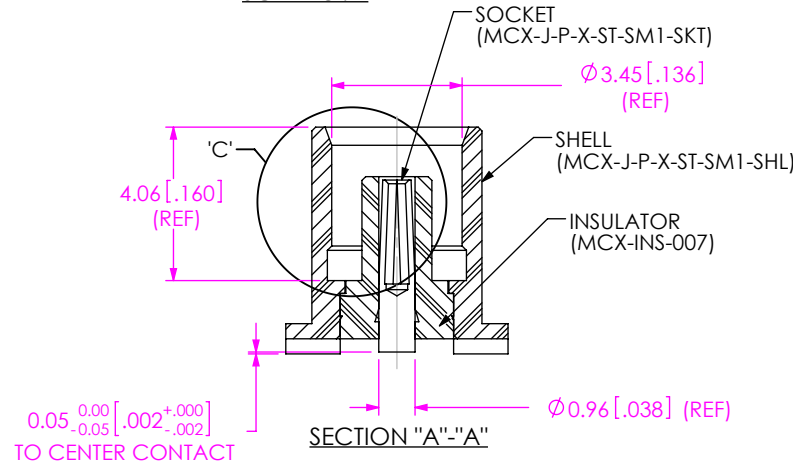
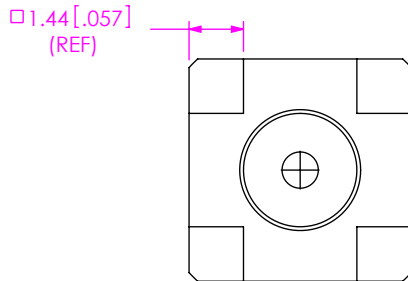
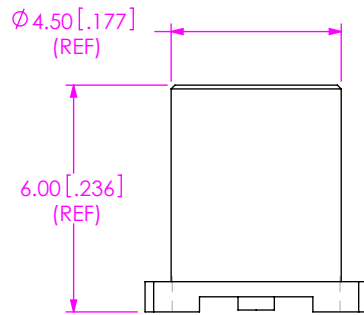
OPTION

-TR: TAPE & REEL (LEAVE BLANK FOR NO TAPE AND REEL)

TERMINATION

-SM1: SURFACE MOUNT

ORIENTATION
-ST: STRAIGHT



NOTES:

1. $\text{\textcircled{C}}$ REPRESENTS A CRITICAL DIMENSION.
2. PUSHOUT FORCE FOR INSULATOR: 20 N [4.5 LB] MIN.
3. PUSHOUT FORCE FOR CENTER CONTACT: 10 N [2.25 LB] MIN.
4. PRODUCT TO BE PACKAGED PER PACKAGING STANDARD CO-RF-WI-3040-M UNLESS -TR OPTION. TRAY: TY-SMA001-1 COVER: TY-SMA001-2 300 PARTS PER TRAY (3 PARTS PER POCKET).
5. ROHS COMPLIANT.

F:\DWG\MISC\MKTG\MCX-J-P-X-ST-SM1-XX-MKT.SLDDRW

UNLESS OTHERWISE SPECIFIED, DIMENSIONS ARE IN MILLIMETERS. TOLERANCES ARE:
DECIMALS ANGLES
.X: ±0.3 [0.1] 2°
.XX: ±0.13 [0.05]
.XXX: ±0.051 [0.020]

PROPRIETARY NOTE
THIS DOCUMENT CONTAINS CONFIDENTIAL AND PROPRIETARY INFORMATION AND ALL DESIGN, MANUFACTURING, REPRODUCTION, USE, PATENT RIGHTS AND SALES RIGHTS ARE EXPRESSLY RESERVED BY SAMTEC, INC. THIS DOCUMENT SHALL NOT BE DISCLOSED, IN WHOLE OR PART, TO ANY UNAUTHORIZED PERSON OR ENTITY NOR REPRODUCED, TRANSFERRED OR INCORPORATED IN ANY OTHER PROJECT IN ANY MANNER WITHOUT THE EXPRESS WRITTEN CONSENT OF SAMTEC, INC.

MATERIAL: DO NOT SCALE DRAWING SHEET SCALE: 5:1
SEE TABLE 1



520 PARK EAST BLVD, NEW ALBANY, IN 47150
PHONE: 812-944-6733 FAX: 812-948-5047
e-Mail: info@SAMTEC.com code: 55322

DESCRIPTION:
MCX STRAIGHT, SMT JACK- 50 OHM
DWG. NO.
MCX-J-P-X-ST-SM1-XX
BY: R MUSSER 02/06/2008 SHEET 1 OF 1

TABLE 1: MATERIAL

SAMTEC PART NUMBER	ITEM	MATERIAL	PLATING - (REFERENCE)
MCX-J-P-X-ST-SM1-SHL	SHELL	BRASS C3604B	0.00013[.000005] GOLD OVER .00127[.000050] NICKEL
MCX-INS-007	INSULATOR	PTFE TEFLON (WHITE)	N/A
MCX-J-P-X-ST-SM1-SKT	SOCKET	BeCu C17300	0.00076[.000030] GOLD OVER .00127[.000050] NICKEL