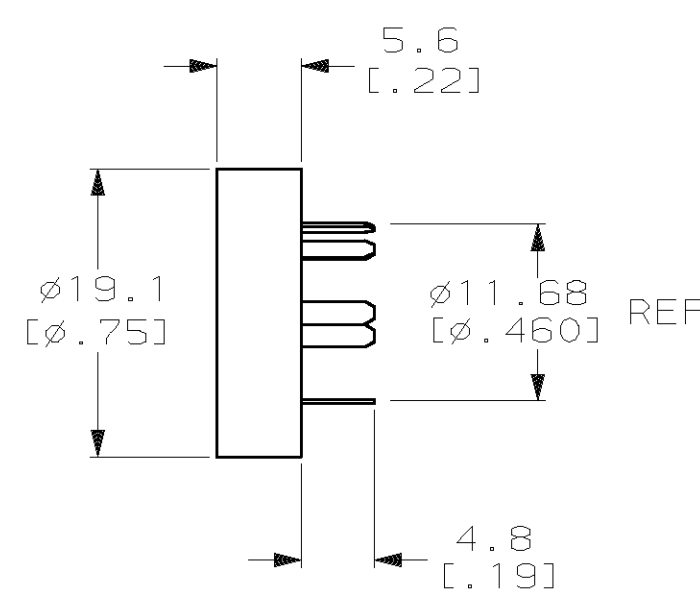
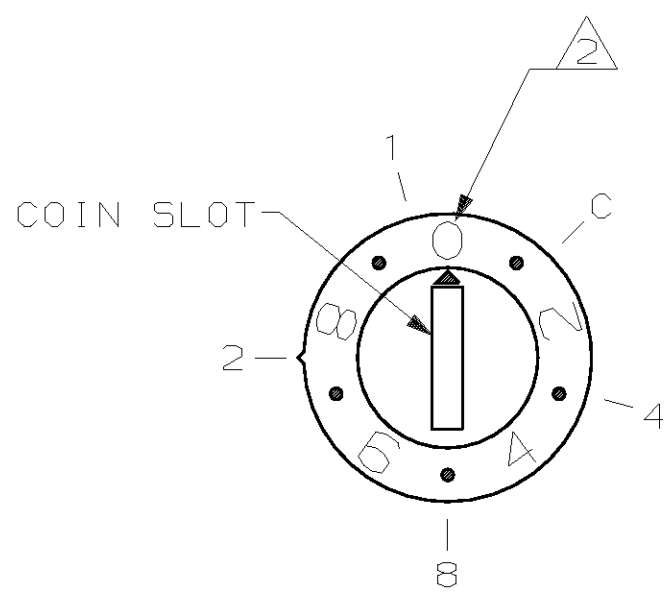
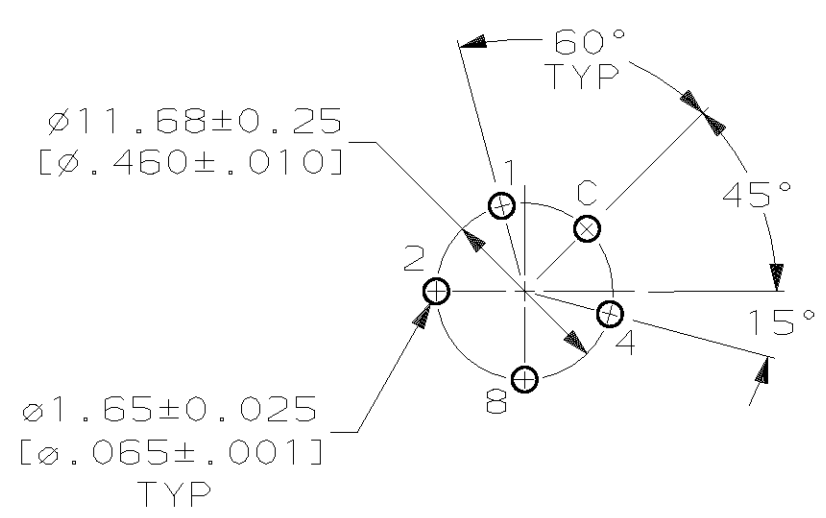


THIS DRAWING IS UNPUBLISHED. RELEASED FOR PUBLICATION ,19 .
 © COPYRIGHT 19 BY AMP INCORPORATED. ALL RIGHTS RESERVED.

LOC	DIST	REVISIONS					
FT	69	P	LTR	DESCRIPTION	DATE	DWN	APVD
		J		REV PER EC 0650-0173-98	9-14-98	LM	GR



- 1 FINISH: SOLDER TAILS TIN PLATE 0.0051 [.000200] MIN. THICK. CONTACT AREA 0.00076 [.000030] MIN. HARD GOLD OVER 0.00127-0.00254 [.000050-.000100] LOW STRESS NICKEL.
- 2 CHARACTERS 2.5 [.10] HIGH, COLOR BLACK.
- 3 CASE: THERMOPLASTIC, NATURAL. CONTACT: BERYLLIUM COPPER.



P.C. BOARD HOLE LAYOUT
SWITCH SIDE

		SWITCH POSITION									
		0	1	2	3	4	5	6	7	8	9
COMMON TO	1		●		●		●		●		●
	2			●	●			●	●		
	4					●	●	●	●		
	8									●	●

435005-1
PART NUMBER

THIS DRAWING IS A CONTROLLED DOCUMENT.		DWN R. TALLEY 8-7-91	AMP AMP Incorporated Harrisburg, PA 17105-3608				
		CHK R. MILLER 8-7-91					
DIMENSIONS: mm [INCHES]		APVD D. HUFFMAN 8-7-91	NAME ROTARY SWITCH ASSY, 10 POS, 6000 SERIES BCD				
TOLERANCES UNLESS OTHERWISE SPECIFIED: 0 PLC ±- 1 PLC ±0.5 [.02] 2 PLC ±- 3 PLC ±- 4 PLC ±- ANGLES ±0°30'		PRODUCT SPEC 108-7514	DRAWING NO C-435005				
MATERIAL 3		APPLICATION SPEC 114-7005	SIZE A3	CAGE CODE 00779	DRAWING NO C-435005	RESTRICTED TO -	
FINISH 1		WEIGHT -	CUSTOMER DRAWING		SCALE 2:1	SHEET 1 OF 1	REV J