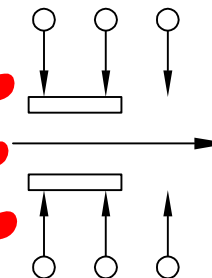
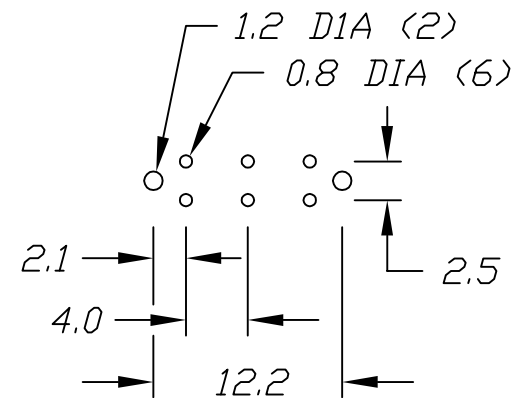
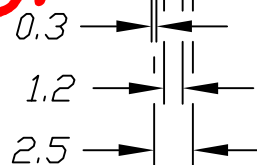
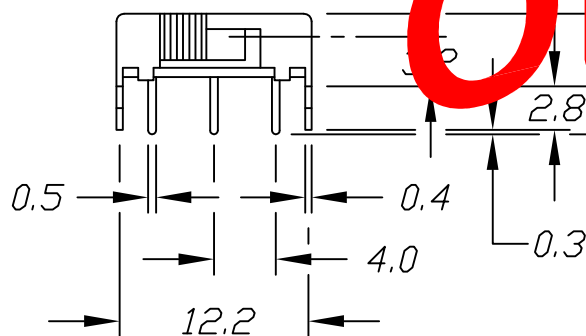


KNOB DETAIL



CONTACT CONFIGURATION



P.C.B. MOUNTING HOLES

OBSOLETE
 March 2017
 PCR 22779

NOTES:

1. ALL DIMENSIONS IN MM
2. TERM. NOS. FOR REF ONLY

E-SWITCH

TITLE

EG 2215 A

REV.	DESCRIPTION	DATE	CHKD

THE INFORMATION CONTAINED IN THIS DOCUMENT IS PROPRIETARY TO E-SWITCH AND IS NOT TO BE COPIED OR TRANSFERRED

TOLERANCES	0.	±0.3	±0.3	±0.3
	0.0	±0.3	±0.3	±0.3
	0.00	±0.3	±0.3	±0.3

SCALE

2:1

DATE

5/25/94

DR

JL

DWG

P040161