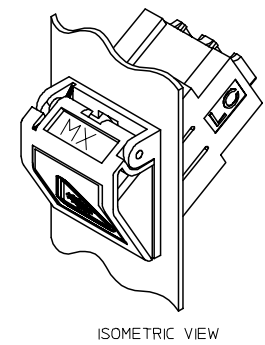
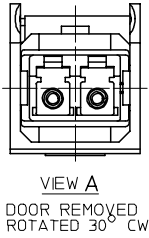
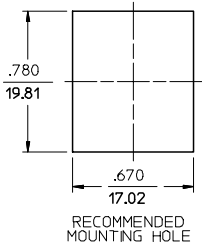
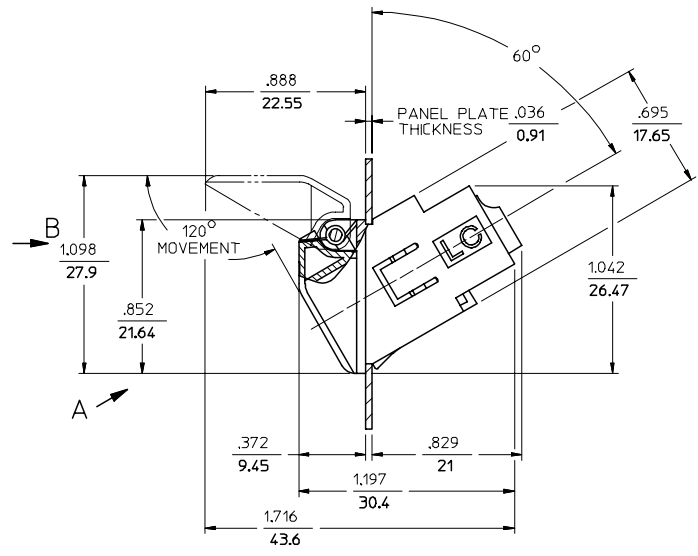
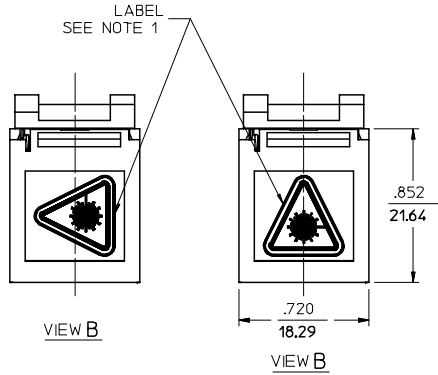


KIT P/N	SLEEVE MATERIAL
106004-3378	ZIRCONIA
106004-3379	PHOSPHOR BRONZE



NOTES:
1. LABEL TO BE INSTALLED BY CUSTOMER.

ENTER DESCRIPTION EC NO: MF2006-0262 DRAWN/PAC IFC I 2005/12/01 CHKD: 2005/12/01 APPR: JGUMIN 2005/12/01 REV: A	QUALITY SYMBOLS = 0 = 0	GENERAL TOLERANCES (UNLESS SPECIFIED)		DIMENSION STYLE		SCALE	DESIGN UNITS	THIRD ANGLE PROJECTION			
		mm	INCH	IN/MM		2:1	INCH				
		4 PLACES	± ---	± ---	DRAWN BY	DATE	TITLE	METALIZED LC BEZEL ADAPTER KITS			
		3 PLACES	± ---	± ---	CHECKED BY	DATE					
2 PLACES	± ---	± ---	APPROVED BY		DATE	MOLEX INCORPORATED					
1 PLACE	± ---	± ---	MATERIAL NO.		DATE						
ANGULAR ±1/2°			DRAFT WHERE APPLICABLE MUST REMAIN WITHIN DIMENSIONS		SIZE	DOCUMENT NO.		SHEET NO.			
			SEE TABLE		C	SD-106004-337X		1 OF 01			
THIS DRAWING CONTAINS INFORMATION THAT IS PROPRIETARY TO MOLEX INCORPORATED AND SHOULD NOT BE USED WITHOUT WRITTEN PERMISSION											