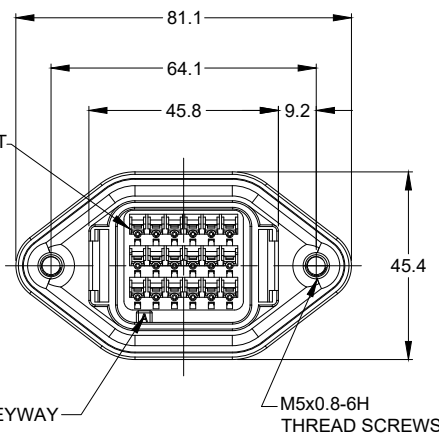


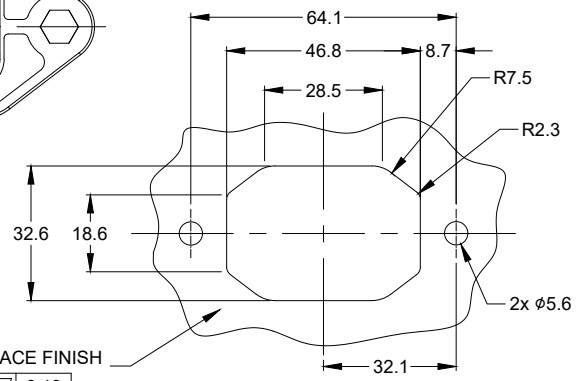
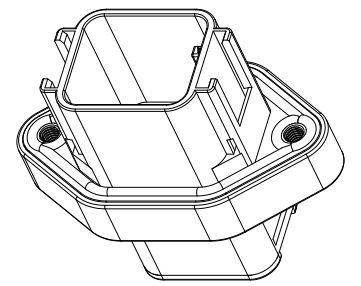
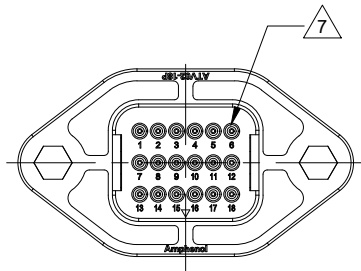
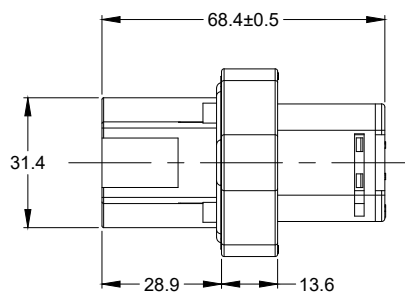
REVISIONS					
REV	ECO	DESCRIPTION	DATE	BY	APPR
A1	-	RELEASE DRAWING	03MAY18	RIMON	TOMMY



REQUIRES CONTACT RETENTION WEDGE AWW-18P

KEYWAY

M5x0.8-6H  
THREAD SCREWS



INTERNAL SEALING SURFACE FINISH TO BE  $\nabla 3.2$  OR BETTER  $\square 0.13$

RECOMMENDED PANEL CUTOUT

NOTES: UNLESS OTHERWISE SPECIFIED

RECOMMENDED TORQUE VALUES: 1.5-2.0 N.m

- SEE SHEET 2 FOR KEY ARRANGEMENTS AND COLORS.
- MATERIAL:  
HOUSING: THERMOPLASTIC  
SEAL: SILICONE RUBBER, COLOR: YELLOW
- MODIFICATIONS: FLANGE MOUNT  
REDUCED DIAMETER WIRE SEAL
- SPECIFICATIONS:  
4.1 CURRENT RATING: 13 AMPS  
4.2 OPERATING TEMPERATURE: -55°C TO +125°.  
4.3 DIELECTRIC WITHSTANDING VOLTAGE: LESS THAN 2 MILLIAMPS CURRENT LEAKAGE @ 1500 VOLTS AC.  
4.4 INSULATION RESISTANCE: 1000 MEGOHMS MIN @ 25°.  
4.5 MOISTURE RESISTANCE: IP67 ( MATED CONDITION )  
4.6 MATING CYCLE DURABILITY: 100 CYCLES  
4.7 RoHS COMPLIANT
- MATING PART: ATV06-18SX\* PLUG  
( X = A,B,C,D KEYS ; \* = MODIFICATIONS AND COLORS)
- ALL DIMENSIONS ARE FOR REFERENCE USE ONLY.

$\nabla 7$  CONTACT SIZE AND REAR SEAL WIRE RANGE:

CONTACT SIZE	MIN. INSUL O.D.	MAX. INSUL O.D.	TYPICAL WIRE RANGE
16	1.12 mm (.044 in)	2.31 mm (.090 in)	16 - 22 AWG

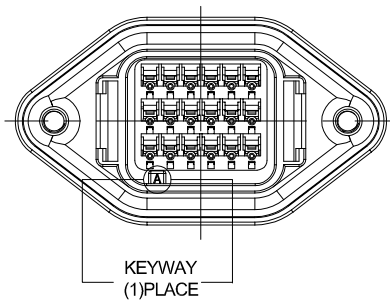
TITLE: RECEPTACLE FLANGE, 18 PIN, REDUCED DIA. WIRE SEAL, ATV SERIES  
DWG NO.: ATV02-18PX-RR01  
REV: A1  
SH: 1  
OF: 2

SEE SHEET 2		DESCRIPTION		ITEM
PART NUMBER				
QUANTITY				
MATERIALS LIST				
UNLESS OTHERWISE SPECIFIED		SIGNATURES		DATE
1) All dimensions are in metric (mm).		DRAWN: RIMON, MA		03MAY18
2) Tolerances are as follows:		CHECKED: ORION, LI		03MAY18
1 PL DEC ±0.30   Fractions ±1/64		ENGINEER:		
2 PL DEC ±0.15   Angles ±1°		APPROVAL: TOMMY, XIE		03MAY18
3) Note reference = $\nabla$		CUSTOMER:		
MATERIAL SPECIFICATIONS:		THIS DRAWING IS SUPPLIED FOR INFORMATION ONLY. DESIGN FEATURES, SPECIFICATIONS AND PERFORMANCE DATA SHOWN HEREON ARE THE PROPERTY OF THE AMPHENOL CORPORATION. NO RIGHTS OF REPRODUCTION ARE IMPLIED. ALL DIMENSIONS ARE SUBJECT TO NORMAL MANUFACTURING VARIATIONS.		
PROCESS SPECIFICATIONS:		SIZE		REVISION
NEXT ASSY:		B C-		A1
		DWG NO.: ATV02-18PX-RR01		
		SCALE: NONE		SHEET 1 OF 2

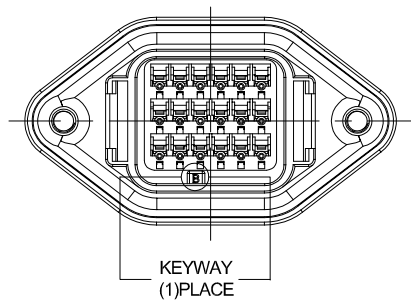
**Amphenol**  
Sine Systems - www.amphenol-sine.com  
44724 Morley Drive  
Clinton Township, MI 48036

RECEPTACLE, FLANGE, 18 PIN, ATV SERIES  
REDUCED DIA. WIRE SEAL

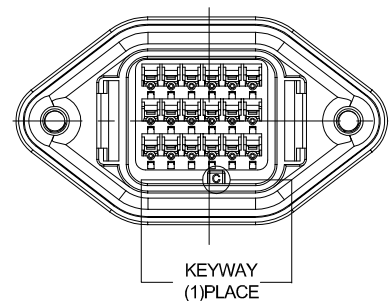
REVISIONS					
REV	ECO	DESCRIPTION	DATE	BY	APPR
A1	-	RELEASE DRAWING	03MAY18	RIMON	TOMMY



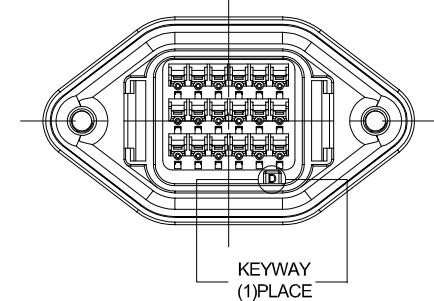
KEY-A CONFIGURATION	
COLOR	PART NUMBER
GREY	ATV02-18PA-RR01



KEY-B CONFIGURATION	
COLOR	PART NUMBER
BLACK	ATV02-18PB-RR01



KEY-C CONFIGURATION	
COLOR	PART NUMBER
GREEN	ATV02-18PC-RR01



KEY-D CONFIGURATION	
COLOR	PART NUMBER
BROWN	ATV02-18PD-RR01

SEE SHEET 2		DESCRIPTION		ITEM
QUANTITY	PART NUMBER			
<p>UNLESS OTHERWISE SPECIFIED</p> <p>1) All dimensions are in metric (mm).</p> <p>2) Tolerances are as follows:</p> <p>1 PL DEC ±0.30      Fractions ±1/64</p> <p>2 PL DEC ±0.15      Angles ±1°</p> <p>3 PL DEC ±0.08</p> <p>3) Note reference = </p>				
MATERIAL SPECIFICATIONS:		<p><b>SIGNATURES</b>      <b>DATE</b></p> <p>DRAWN: RIMON,JA      03MAY18</p> <p>CHECKED: ORION,LI      03MAY18</p> <p>ENGINEER:</p> <p>APPROVAL: TOMMY,XIE      03MAY18</p> <p>CUSTOMER:</p>		
PROCESS SPECIFICATIONS:		<p>THIS DRAWING IS SUPPLIED FOR INFORMATION ONLY. DESIGN FEATURES, SPECIFICATIONS AND PERFORMANCE DATA SHOWN HEREON ARE THE PROPERTY OF THE AMPHENOL CORPORATION. NO RIGHTS OF REPRODUCTION ARE IMPLIED. ALL DIMENSIONS ARE SUBJECT TO NORMAL MANUFACTURING VARIATIONS.</p>		
NEXT ASSY:		<p>RECEPTACLE, FLANGE, 18 PIN, ATV SERIES REDUCED DIA. WIRE SEAL</p> <p>SIZE: <b>B C-</b>      TYPE:      DWG NO: <b>ATV02-18PX-RR01</b>      REVISION: <b>A1</b></p> <p>SCALE: <b>NONE</b>      SHEET <b>2</b> OF <b>2</b></p>		

TITLE: REDUCED DIA. WIRE SEAL      DWG NO: ATV02-18PX-RR01      REV: A1      SH: 2      OF: 2