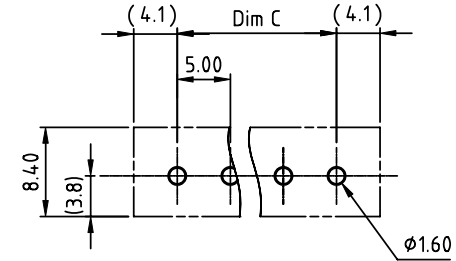
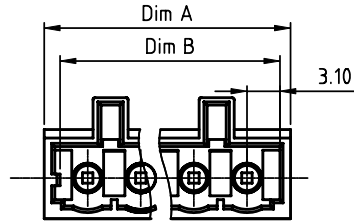
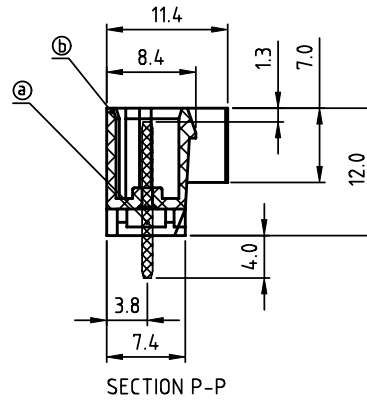
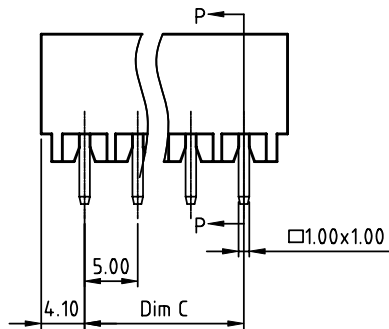


PRODUCT NUMBER	PITCH
NCxx72x000J0G	5.00 mm



RECOMMENDED P.C.B LAYOUT
TOP VIEW



Material:

- Item (a) Male contact pin: Copper Tin plated
- Item (b) Terminal (housing): Thermoplastic (UL94V-0)

Electrical:

- Voltage rating: 300V
- Current rating: 8A
- Withstanding Voltage: 1.6 KV
- Operating temperature: -40°C to +115°C
- Soldering temperature: 260°C ± 5°C / 5 Sec
- Safety Approval: cULus

N = Number of poles
 Dim A = $N \times 5.0 + 3.2$
 Dim B = $N \times 5.0 + 0.7$
 Dim C = $(N - 1) \times 5.0$

poles	Dim A	Dim B	Dim C
2-6p	±0.20	+0.15 -0	±0.20
6-12p	±0.30	+0.3 -0	±0.30
12-24p	±0.40	+0.4 -0	±0.40

PART NO.: NC xx 7 2 x 0 00J0 G

Solid block	0	Black (RAL9005)	RoHS compliant (lead<4%) In copper Alloy
No. of poles	2	Red (RAL3001/D)	
02 2 poles	3	Orange (RAL2011/P)	
03 3 poles	4	Yellow (RAL1018/A)	
...	5	Green (RAL6018/T)	
24 24 poles	6	Blue (RAL5015/A)	
	8	Grey (RAL7035/D)	
	9	White (RAL1102)	
	C	Green (RAL6018/U)	

mat'l. code		surface ASME Y14.5 ✓	tolerance ASME Y14.5	projection 	product family TERMINAL BLOCK
ltr	ecn no	dr	date	tolerances unless otherwise specified	title TERMINAL BLOCK PLUGGABLE SOCKET, VERTICAL, W/HOOK HOLDER
				angles $X \pm 0.5$ $X.X \pm 0.3$ $X^* \pm 1^*$ $X.XX \pm 0.1$	
				scale MM	dwg no NCxx72x000J0G
				dr EVIN ZHONG 042314	sheet 1 of 1 size A4
				enr EVIN ZHONG 042314	type CUSTOMER Drawing
				chr HANKE FENG 042314	
				appd SHI JUN 042314	
sheet index	revision sheet	A	1		