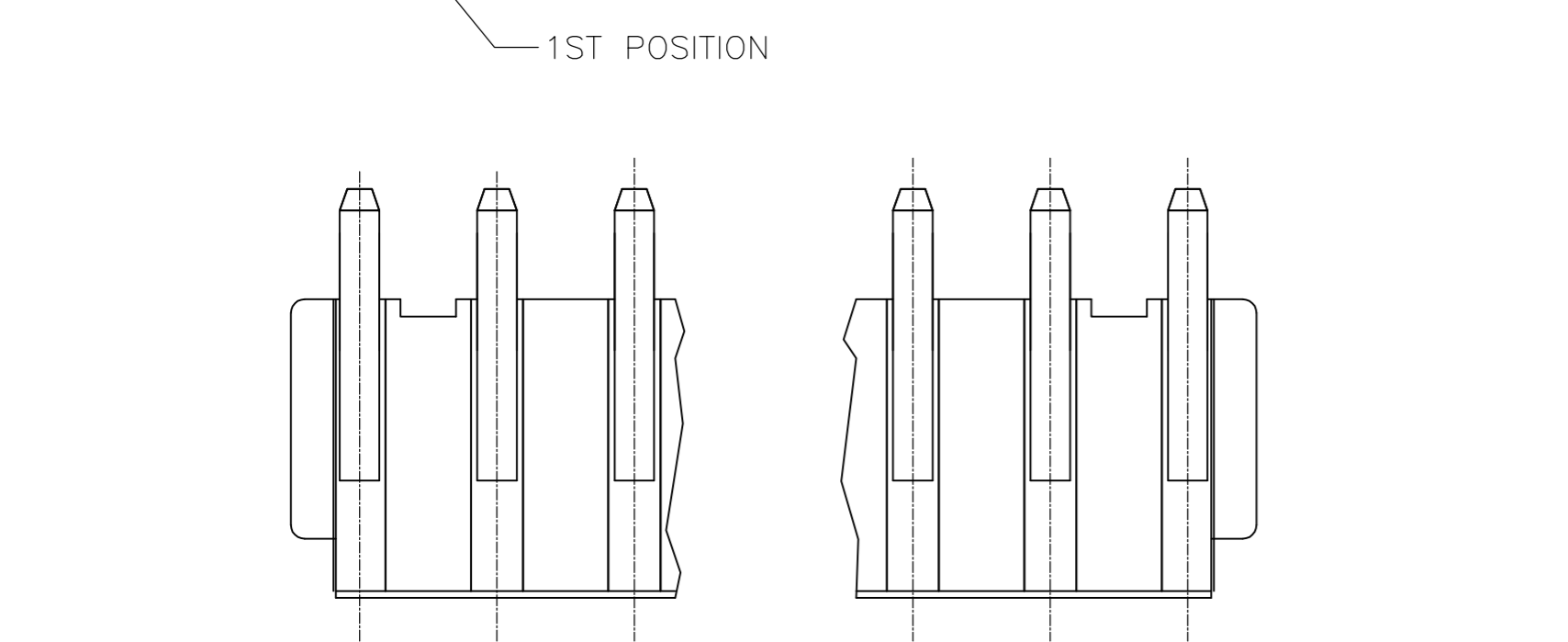
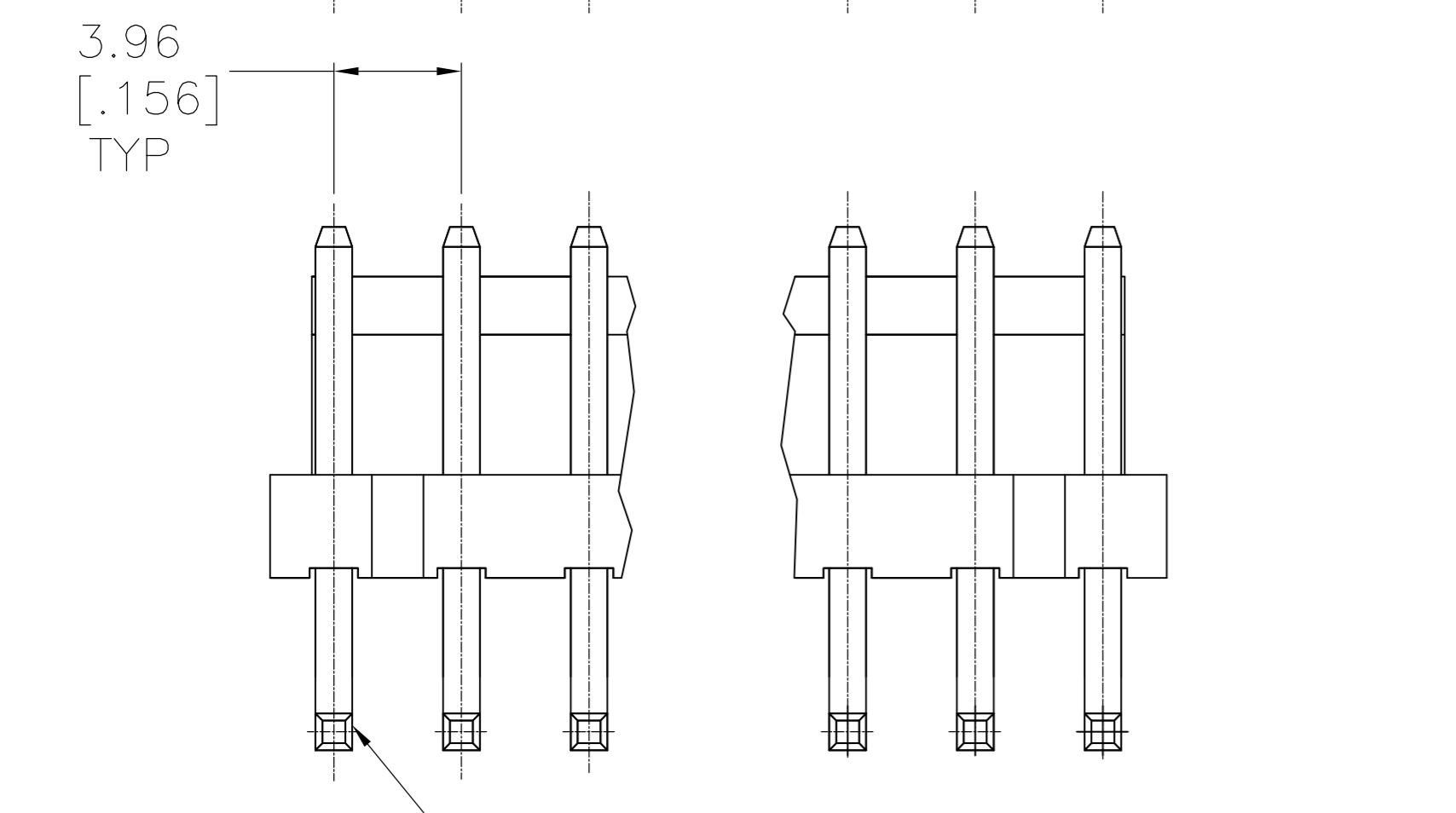
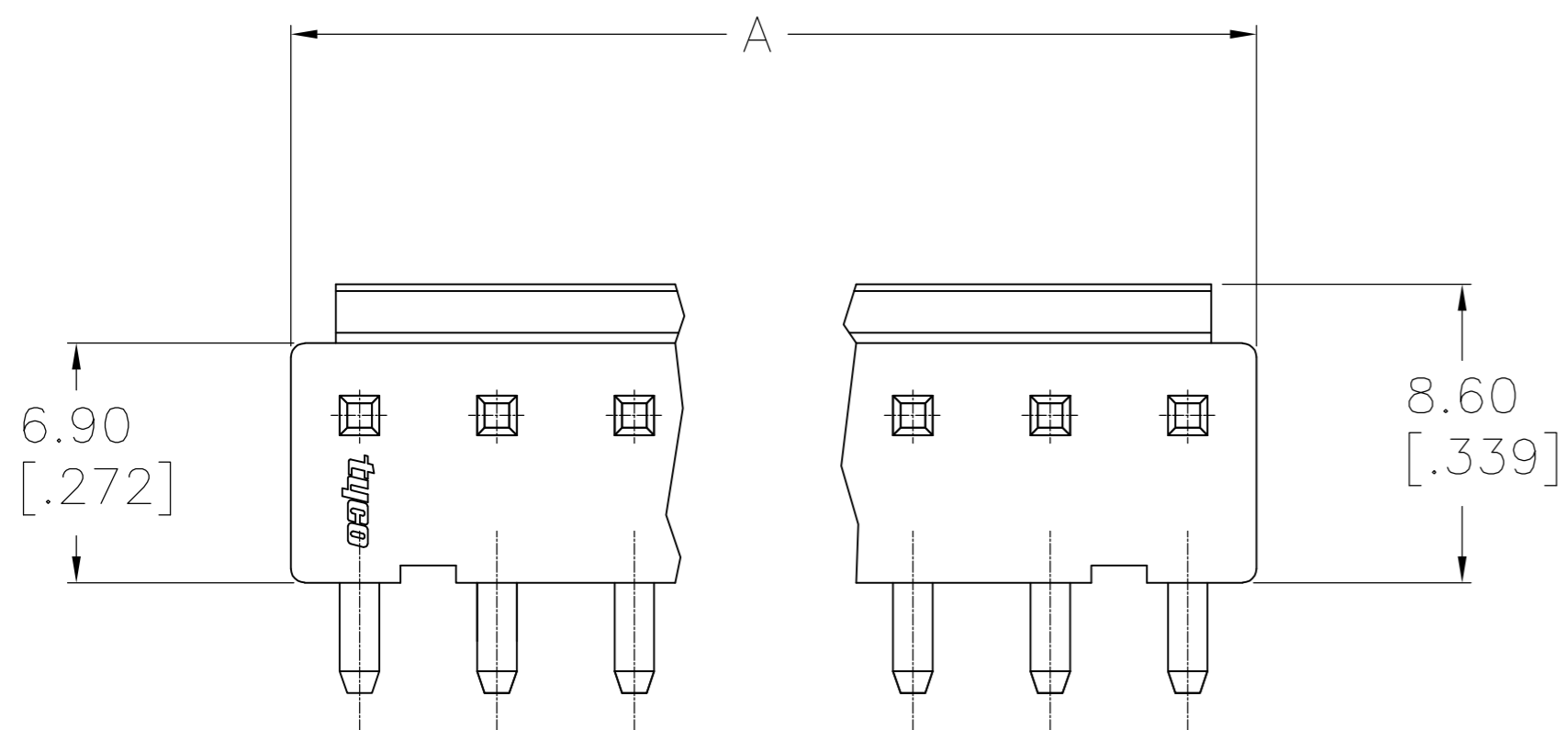
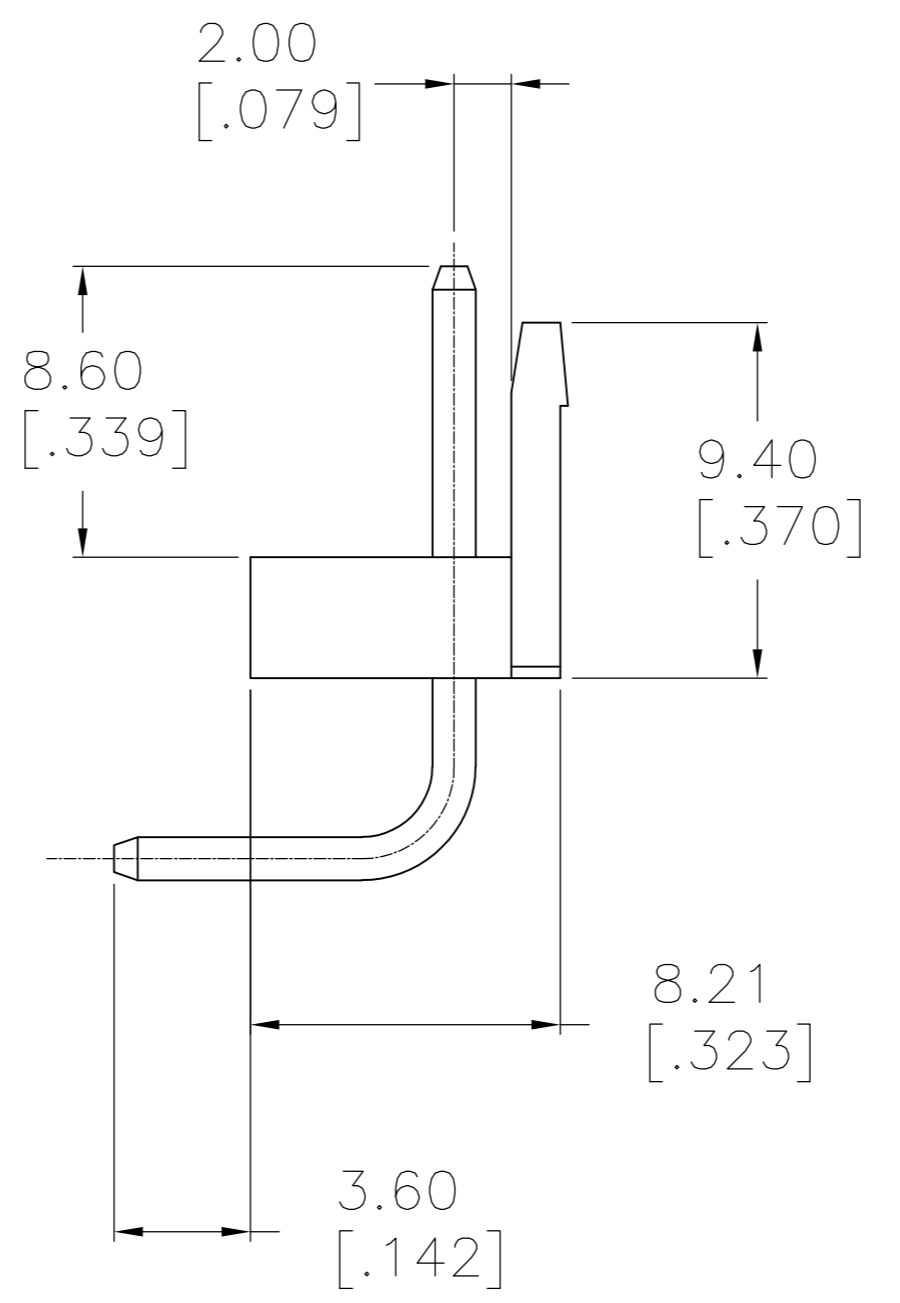
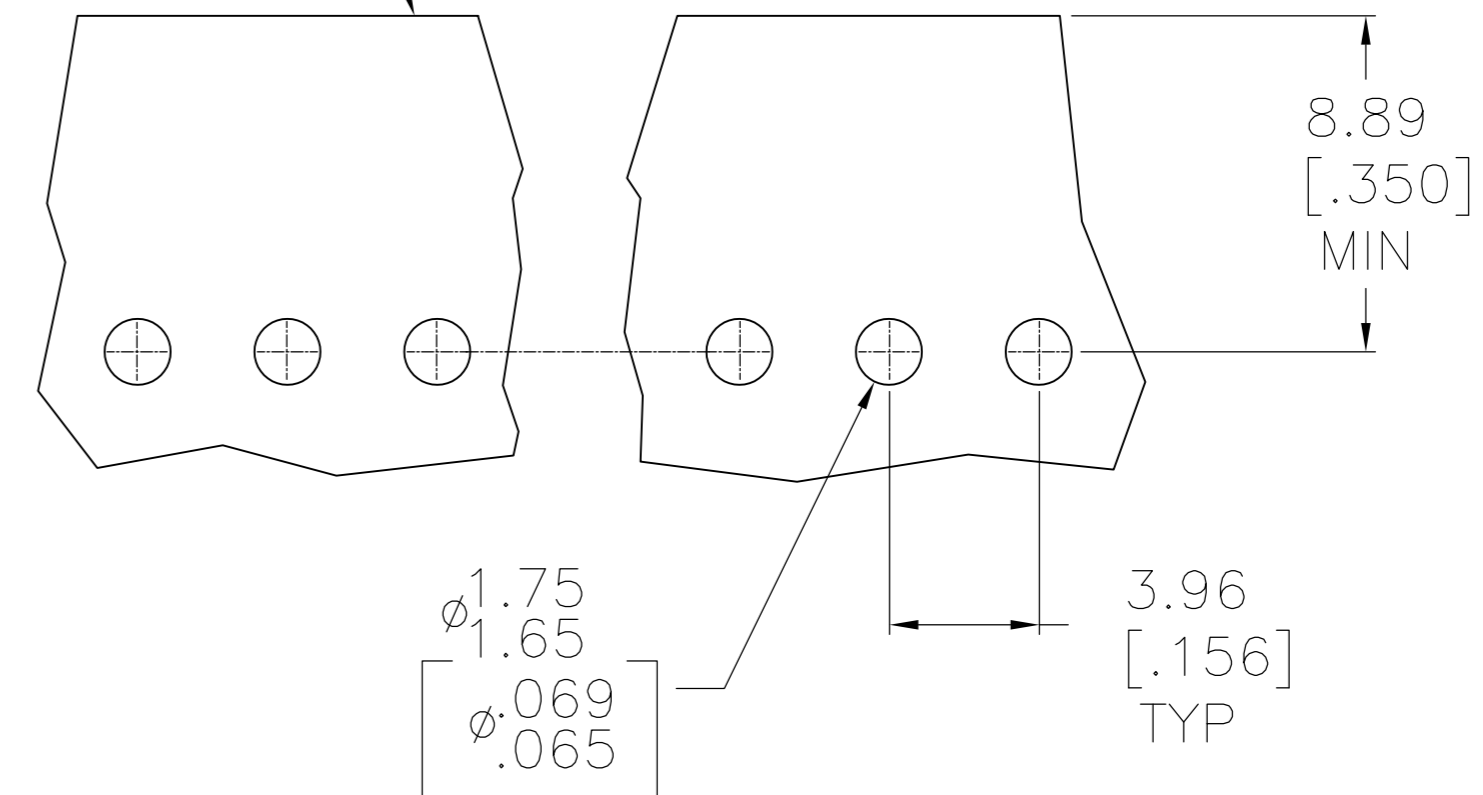


THIS DRAWING IS UNPUBLISHED. RELEASED FOR PUBLICATION
 © COPYRIGHT BY TYCO ELECTRONICS CORPORATION. ALL INTERNATIONAL RIGHTS RESERVED.

LOC		DIST		REVISIONS			
P	LTR	DESCRIPTION		DATE	DWN	APVD	
GP	00	D		REVISED PER ECO-09-017647	29OCT2009	CR	CR



EDGE OF BOARD



- 1 HOUSING MATERIAL: LCP, 20% GLASS FILLED
COLOR: BLACK
- 2 CONTACT MATERIAL: BRASS
- 3 CONTACT PLATING: 0.003[.000120] MIN TIN OVER
0.001[.000039] MIN NICKEL.
- 4 RATED FOR USE WITH IR REFLOW SOLDER PROCESSING
UP TO 280°C FOR 10 SECONDS MAX.
- 5 PACKAGED ON TAPE AND REEL.

5	2	7.92	[.312]	8-1744056-2
	12	47.52	[1.871]	1-1744056-2
	11	43.56	[1.715]	1-1744056-1
	10	39.60	[1.559]	1-1744056-0
	9	35.64	[1.403]	1744056-9
	8	31.68	[1.247]	1744056-8
	7	27.72	[1.091]	1744056-7
	6	23.76	[.935]	1744056-6
	5	19.80	[.780]	1744056-5
	4	15.84	[.624]	1744056-4
	3	11.88	[.468]	1744056-3
	2	7.92	[.312]	1744056-2
	NUMBER OF POSITIONS	mm	[IN]	PART NUMBER
		DIM A ±0.30		

THIS DRAWING IS A CONTROLLED DOCUMENT.

DWN	S. HOOVER	01APR04	Tyco Electronics Corporation Harrisburg, PA 17105-3608
CHK	J. ELLIS	01APR04	
APVD	J. ELLIS	01APR04	
PRODUCT SPEC			
APPLICATION SPEC			NAME
DIMENSIONS: mm [INCHES] TOLERANCES UNLESS OTHERWISE SPECIFIED: 0 PLC ± - 1 PLC ± - 2 PLC ± - 3 PLC ± 0.13 [.005] 4 PLC ± - ANGLES ± - FINISH -			HEADER ASSEMBLY-ECONOMY POWER RIGHT ANGLE, HIGH TEMPERATURE
MATERIAL	SEE NOTES	WEIGHT	SIZE
		CUSTOMER DRAWING	CAGE CODE
		SCALE	DRAWING NO
		5:1	RESTRICTED TO
		SHEET	1 of 1
		REV	D