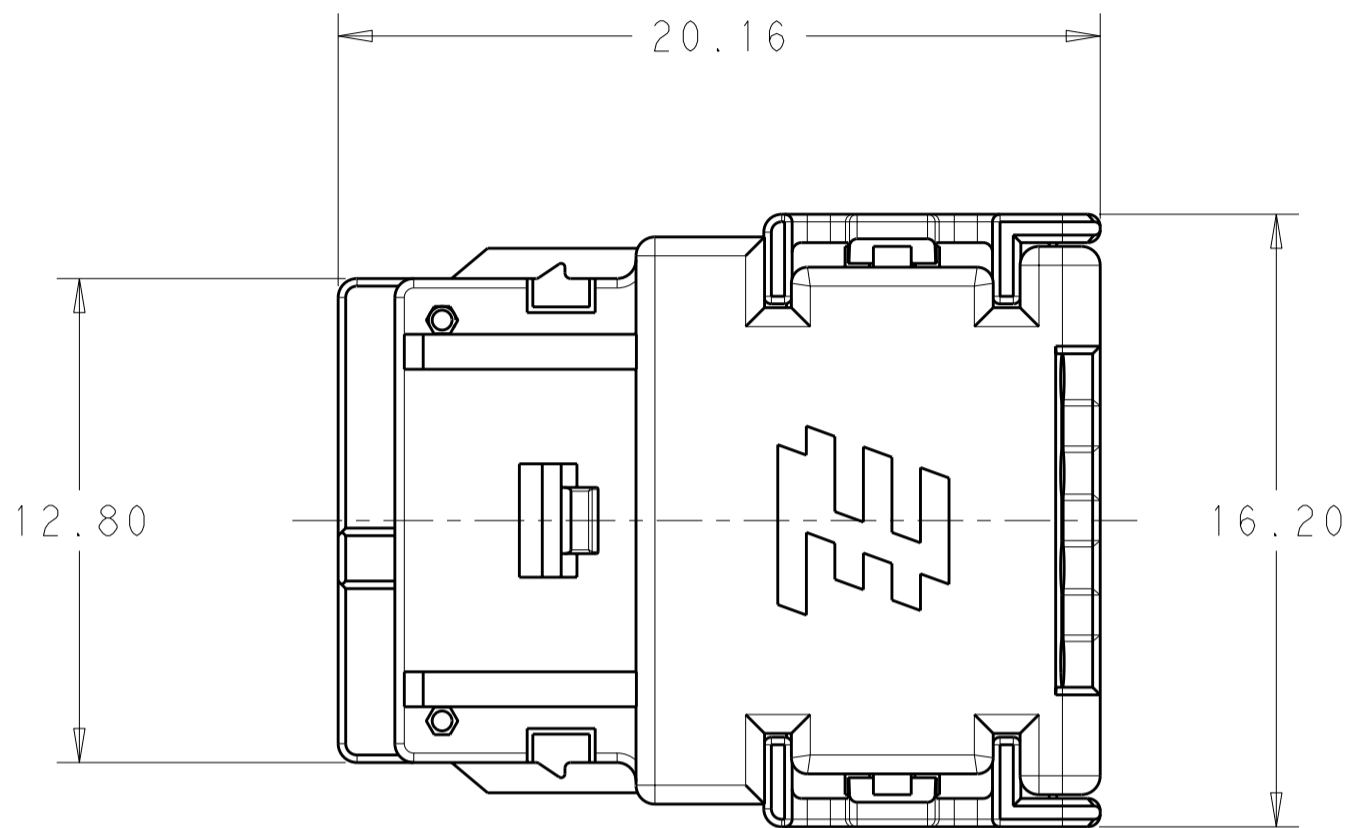


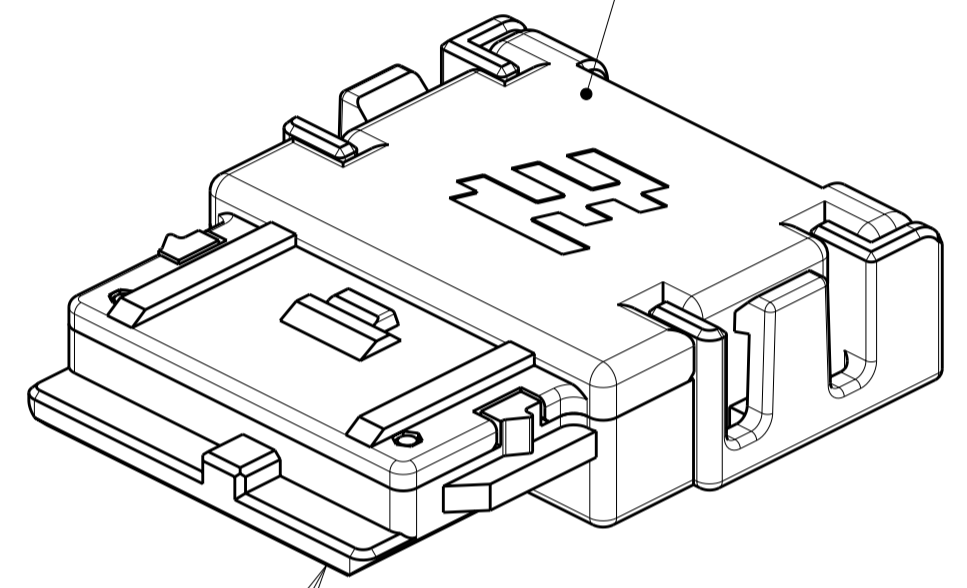
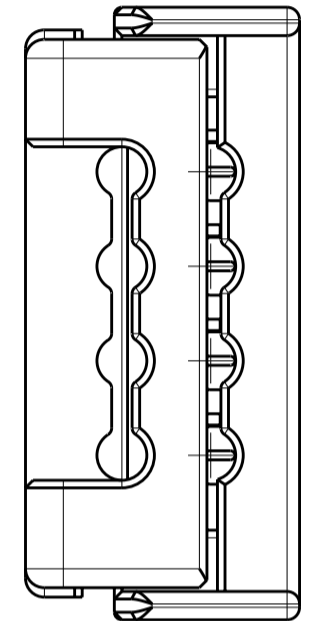
THIS DRAWING IS UNPUBLISHED. RELEASED FOR PUBLICATION 20  
 © COPYRIGHT 20 BY TYCO ELECTRONICS CORPORATION. ALL INTERNATIONAL RIGHTS RESERVED.

LOC		DIST		REVISIONS			
P	LTR	DESCRIPTION	DATE	DWN	APVD		
	5	REVISED CONNECTOR MARKING STRIPE LENGTH	28FEB2011	RB	BC		

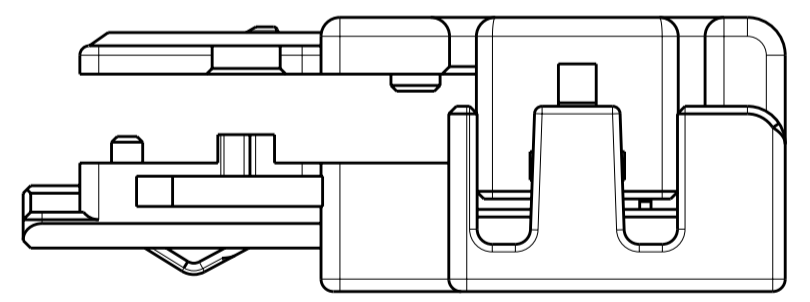
1. PARTS SHIPPED IN OPEN POSITION.
2. MUST COMPLY WITH DIRECTIVE 2002/95/EC (ROHS).
3. PACKAGING (TBD).
4. THIS PRODUCT HAS NOT COMPLETED VALIDATION TESTING.



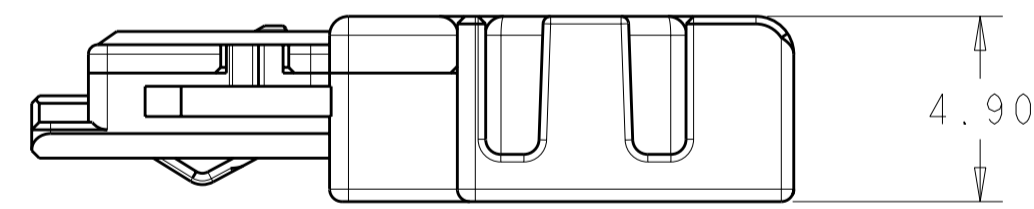
HOUSING, STUFFER, STRAIGHT CONNECTOR, NEVALO  
 MATERIAL: GLASS-FILLED PBT  
 COLOR: NATURAL



SUB-ASSEMBLY, BASE, STRAIGHT CONNECTOR, NEVALO  
 MATERIAL: HOUSING, BASE: GLASS-FILLED PBT, COLOR: NATURAL  
 CONTACTS: COPPER ALLOY  
 FINISH: CONTACTS: TIN PLATE OVER NICKEL



OPEN POSITION



CLOSED POSITION

2154018-1 SHOWN

RIGHT	BLUE	1-2154018-6
RIGHT	GREEN	1-2154018-4
RIGHT	RED	1-2154018-3
RIGHT	ORANGE	1-2154018-1
LEFT	BLUE	2154018-6
LEFT	GREEN	2154018-4
LEFT	RED	2154018-3
LEFT	ORANGE	2154018-1
ORIENTATION	COLOR	PART NO.

TYCO ELECTRONICS  
 CONFIDENTIAL  
 AND PROPRIETARY

PROPOSED DESIGN  
 NOT PRODUCTION TOOLED

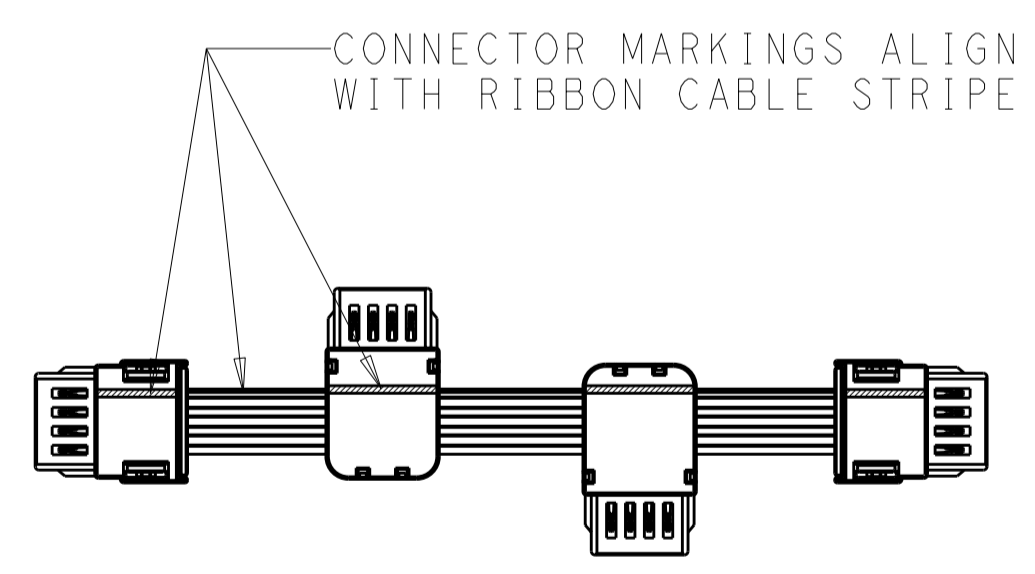
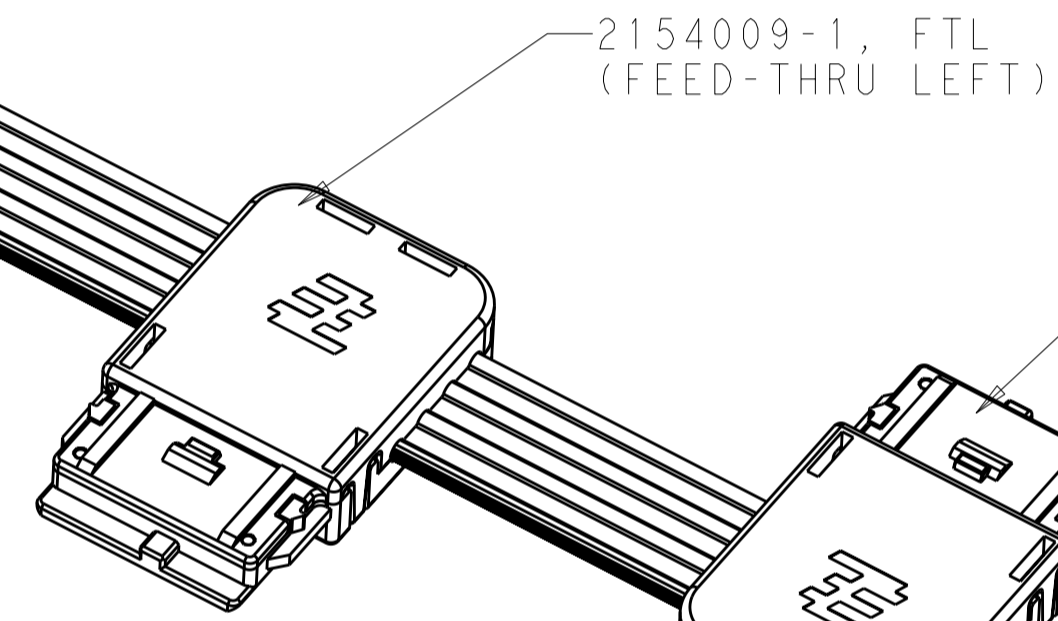
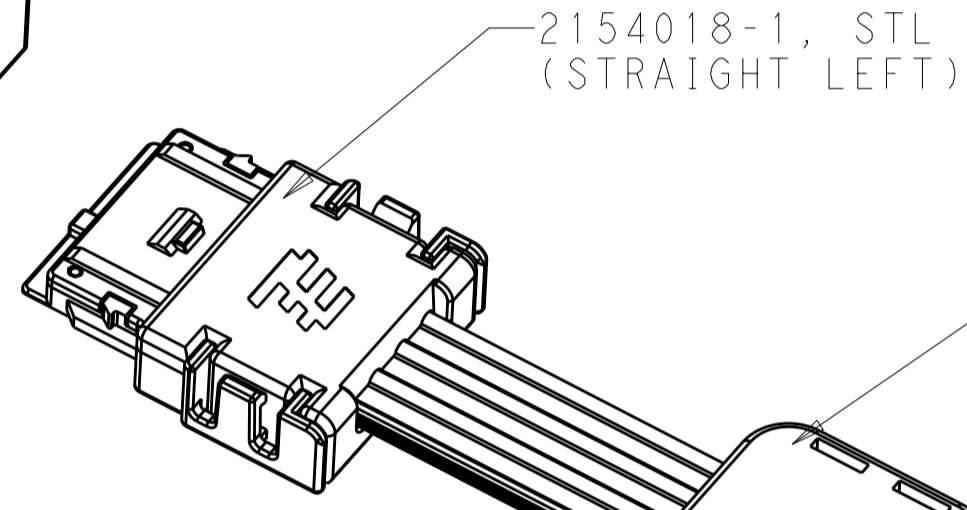
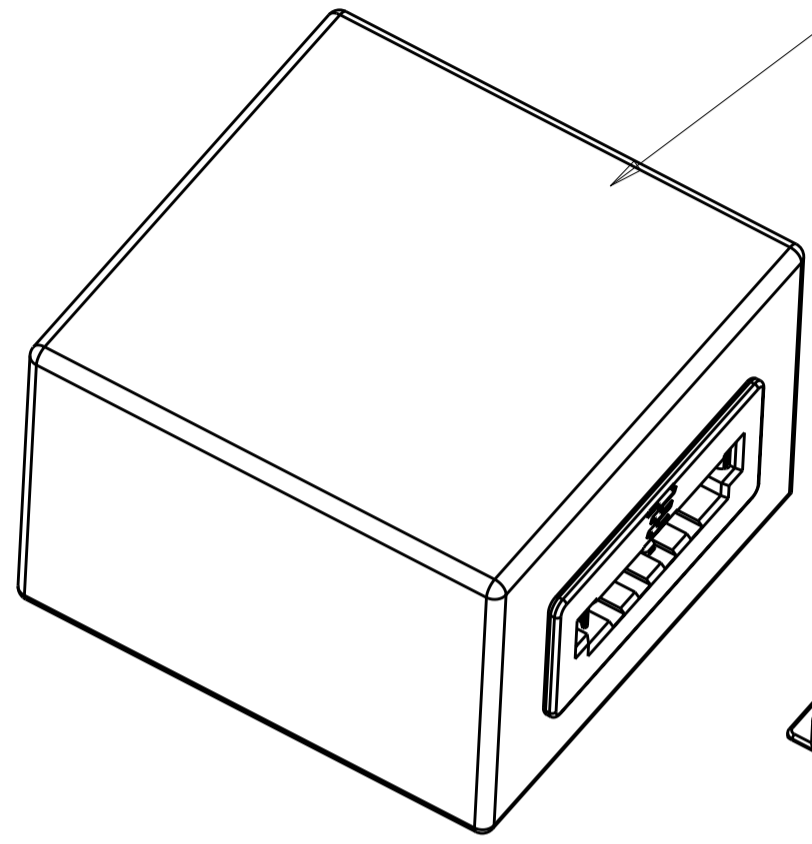
DESIGN IS SUBJECT TO  
 CHANGE WITHOUT NOTICE

THIS DRAWING IS A CONTROLLED DOCUMENT FOR TYCO ELECTRONICS CORPORATION. IT IS SUBJECT TO CHANGE AND THE CONTROLLING ENGINEERING ORGANIZATION SHOULD BE CONTACTED FOR THE LATEST REVISION.

DWN	OMPRAKASH	13JUL2010	 Tyco Electronics Corporation Harrisburg, PA 17105-3608			
CHK	B. CHANFY	22JUL2010				
APVD	-	-				
NAME	ASSEMBLY, STRAIGHT CONNECTOR, NEVALO					
PRODUCT SPEC	108-2442		SIZE	CAGE CODE	DRAWING NO	RESTRICTED TO
APPLICATION SPEC	114-13290		A200779	C-2154018	-	-
MATERIAL	-		WEIGHT	-		SCALE
CUSTOMER DRAWING			SCALE	5:1	SHEET	1 OF 2
					REV	5

THIS DRAWING IS UNPUBLISHED. RELEASED FOR PUBLICATION 20  
 © COPYRIGHT 20 BY TYCO ELECTRONICS CORPORATION. ALL INTERNATIONAL RIGHTS RESERVED.

LOC	DIST	REVISIONS				
P	LTR	DESCRIPTION	DATE	DWN	APVD	
-	-	SEE SHEET 1	-	-	-	



(UNDERSIDE VIEW)  
SCALE 1:1

TYCO ELECTRONICS  
CONFIDENTIAL  
AND PROPRIETARY

PROPOSED DESIGN  
NOT PRODUCTION TOOLED

DESIGN IS SUBJECT TO  
CHANGE WITHOUT NOTICE

<small>THIS DRAWING IS A CONTROLLED DOCUMENT FOR TYCO ELECTRONICS CORPORATION. IT IS SUBJECT TO CHANGE AND THE CONTROLLING ENGINEERING ORGANIZATION SHOULD BE CONTACTED FOR THE LATEST REVISION.</small>		DWN OMPRAKASH 13 JUL 2010 CHK B. CHANEY 22 JUL 2010 APVD -	Tyco Electronics Corporation Harrisburg, PA 17105-3608
DIMENSIONS: mm 	TOLERANCES UNLESS OTHERWISE SPECIFIED: 0 PLC ± 1 PLC ± 2 PLC ±0.20 3 PLC ± 4 PLC ± ANGLES ± FINISH	PRODUCT SPEC - APPLICATION SPEC - WEIGHT - CUSTOMER DRAWING	NAME ASSEMBLY, STRAIGHT CONNECTOR, NEVALO SIZE A2 CAGE CODE 00779 DRAWING NO. C-2154018 RESTRICTED TO - SCALE 5:1 SHEET 2 OF 2 REV 5