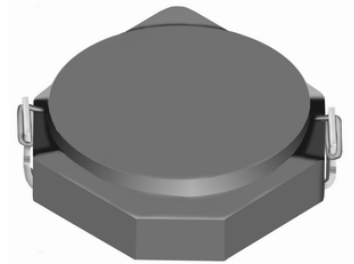
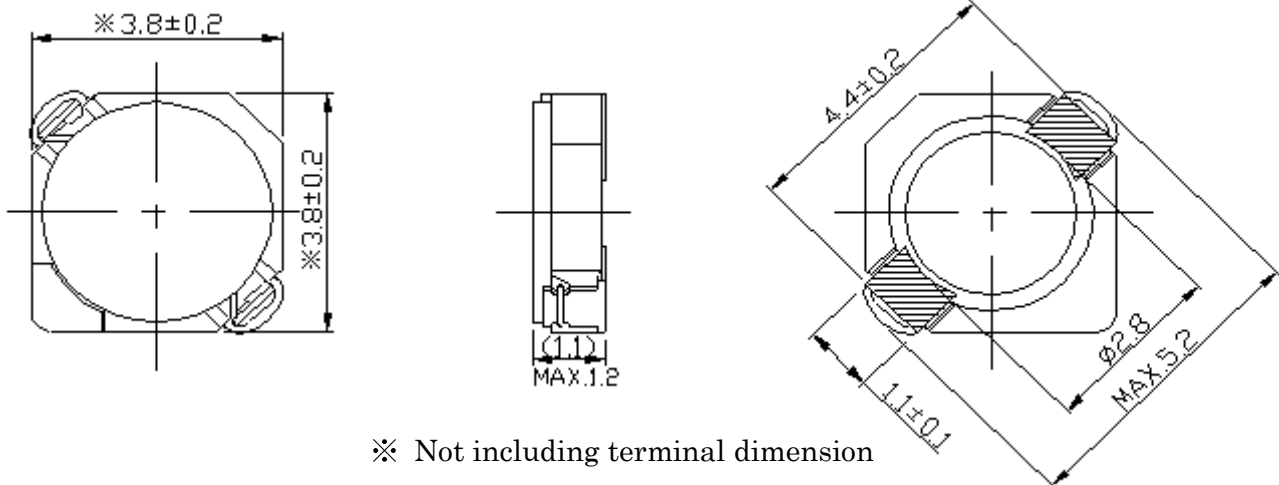
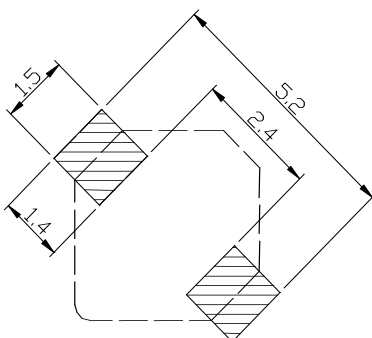


**Type: CDRH3D11**
**◆ Product Description**

- 4.0×4.0mm Max.(L×W), 1.2mm Max.Height.
- Inductance range: 2.7~39  $\mu$  H.
- Rated current range: 0.14~0.53A.
- In addition to the standards versions shown here, custom inductors are also available to meet your exact requirements.


**◆ Feature**

- Magnetically shielded construction.
- Storage temperature range: -40°C ~ +105°C.
- Operating temperature range: -40°C ~ +105°C (Including coil's self temperature rise).
- Ideally used in Mobilephone, PDA, MP3, DSC/DVC, Portable DVD, etc as DC-DC converter inductors.
- RoHS compliance and Halogen Free.

**◆ Dimensions (mm)**

**◆ Land Pattern (mm)**


**Type: CDRH3D11**
**◆ Specification**

Part Name ※	Stamp	Inductance ( $\mu$ H) 100kHz/1V	D.C.R.(m $\Omega$ ) Max.(Typ.) (at 20°C)	Saturation Current (A) ※1	Temperature Rise Current (A) ※2
CDRH3D11NP-2R7N□	A	2.7 $\pm$ 30%	78(60)	0.53	1.82
CDRH3D11NP-4R7N□	B	4.7 $\pm$ 30%	123(95)	0.40	1.38
CDRH3D11NP-6R8N□	C	6.8 $\pm$ 30%	180(150)	0.34	1.05
CDRH3D11NP-8R2N□	D	8.2 $\pm$ 30%	204(170)	0.32	0.93
CDRH3D11NP-100N□	E	10 $\pm$ 30%	240(200)	0.28	0.90
CDRH3D11NP-120N□	F	12 $\pm$ 30%	276(230)	0.25	0.81
CDRH3D11NP-150N□	G	15 $\pm$ 30%	372(310)	0.23	0.68
CDRH3D11NP-180N□	H	18 $\pm$ 30%	468(390)	0.21	0.58
CDRH3D11NP-220N□	I	22 $\pm$ 30%	540(450)	0.19	0.53
CDRH3D11NP-270N□	J	27 $\pm$ 30%	726(605)	0.17	0.48
CDRH3D11NP-330N□	K	33 $\pm$ 30%	822(685)	0.15	0.41
CDRH3D11NP-390N□	L	39 $\pm$ 30%	942(785)	0.14	0.40

**※ Description of part name**

CDRH3D11NP-2R7N□

- B Box
- C Carrier Tape

※1.Saturation current: The DC current at which the inductance decreases to 65% of it's nominal value.

※2 Temperature rise current:The DC current at which the temperature rise is  $\Delta t=40^{\circ}\text{C}$ .( $T_a=20^{\circ}\text{C}$ )