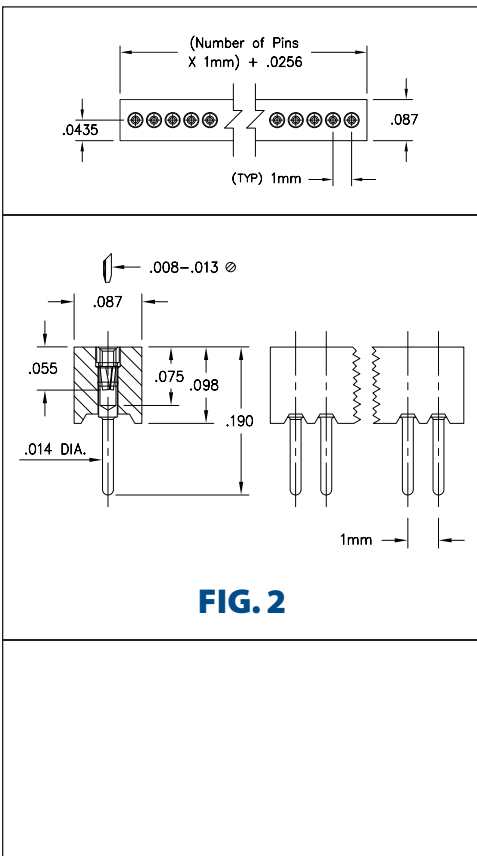
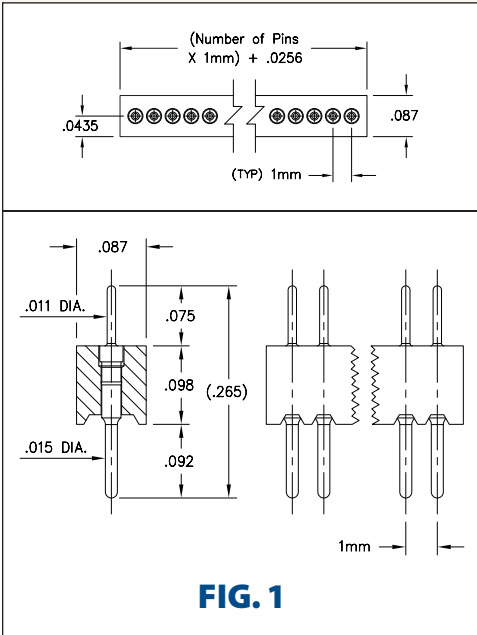
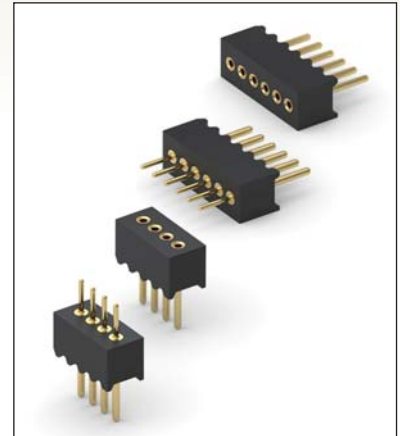


INTERCONNECTS

SERIES 860 & 861 • 1mm GRID HEADERS AND SOCKETS • SINGLE ROW STRIPS



- Series 860 headers and Series 861 sockets are single row, 1mm pitch interconnects rated at 2 amps
- Series 860 headers have .015" diameter solder tails and .011" diameter pluggable pins (MM #3039) See page 208 for details
- Series 861 sockets have .014" diameter solder tails (MM #0439). See page 156 for details
- Both 860 headers and 861 sockets are available in 2-50 position strips
- The header and socket provide a mated height of .196" for board stacking applications
- Insulators are high temperature thermoplastic, suitable for most soldering processes, and feature standoffs to promote solder flow



ORDERING INFORMATION

FIG. 1	Series 860...002	Single Row 1mm Header				
		860-10-0	-10-002000			
	Specify number of pins		02-50			
		XX=Plating Code See Below	For Electrical, Mechanical & Environmental Data, See page 264			
	SPECIFY PLATING CODE XX=	10				
	Pin Plating	10 μ" Au				
FIG. 2	Series 861...002	Single Row 1mm Socket				
		861-13-0	-10-002000			
	Specify number of pins		02-50			
		XX=Plating Code See Below	For Electrical, Mechanical & Environmental Data, See page 264			
	SPECIFY PLATING CODE XX=	13				
	Sleeve (Pin)	10 μ" Au				
	Contact (Clip)	30 μ" Au				