

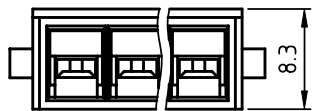
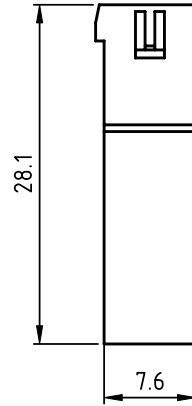
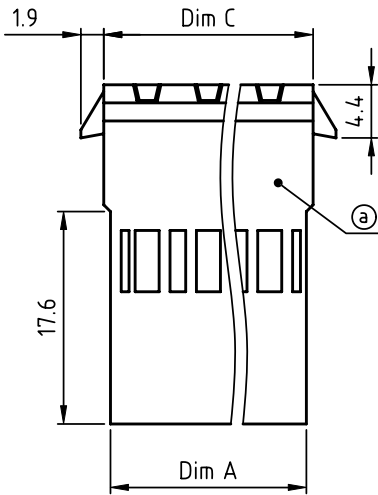
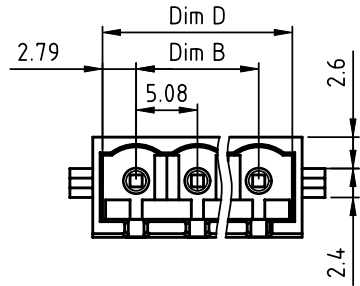
PRODUCT NUMBER	PITCH
KVxx50x000J0G	5.08 mm

N = Number of poles
 Dim A = N x 5.08 + 1.0
 Dim B = (N - 1) x 5.08
 Dim C = N x 5.08 + 2.1
 Dim D = (N - 1) x 5.08 + 5.58

Poles	Dim A	Dim B	Dim C	Dim D
2-6p	±0.10	±0.15	±0.15	±0.15
7-12p	±0.20	±0.20	±0.20	±0.20
13-16p	±0.30	±0.25	±0.25	±0.25
17-24p	±0.40	±0.35	±0.35	±0.35

PART NO.: KV xx 50 x 0 00J0 G

		Color	RoHS compliant
Solid block	0	Black (RAL9005)	(lead<4%)
No. of poles	2	Red (RAL3001/D)	In copper Alloy
02	2 poles	3	Orange(RAL2011/P)
03	3 poles	4	Yellow(RAL1018/A)
...	...	5	Green(RAL6018/T)
24	24 poles	6	Blue (RAL5015/A)
		8	Grey(RAL7035/D)
		9	White(RAL1102)
		C	Green(RAL6018/U)



Material:

- Item@Terminal housing: Thermoplastic (UL94 V-0)

Electrical

- Voltage rating: 300V
- Current rating: 10A
- Wire range: 1.5-2.5mm²
- Withstanding Voltage: 1.6KV
- Corresponding female crimp contacts: AR 5.08 series

mat'l. code		surface ASME Y14.5	tolerance ASME Y14.5	projection	product family
ltr		tolerances unless otherwise specified		MM	TERMINAL BLOCK
ecn no	dr	date	angles		title
			X ± 0.5	scale	TERMINAL BLOCK
			X.X ± 0.3		PLUGGABLE PLUG, WITH HOOK, CRIMP CONNECTION
			X* ± 1*	X.XX ± 0.1	PLUGGABLE PLUG, WITH HOOK, CRIMP CONNECTION
		dr	EVIN ZHONG	050414	dwg no
		enr	EVIN ZHONG	050414	sheet 1 of 1
		chr	HANKE FENG	050414	KVxx50x000J0G
		appd	SHI JUN	050414	A4
sheet index		revision	A		type
		sheet	1		CUSTOMER Drawing