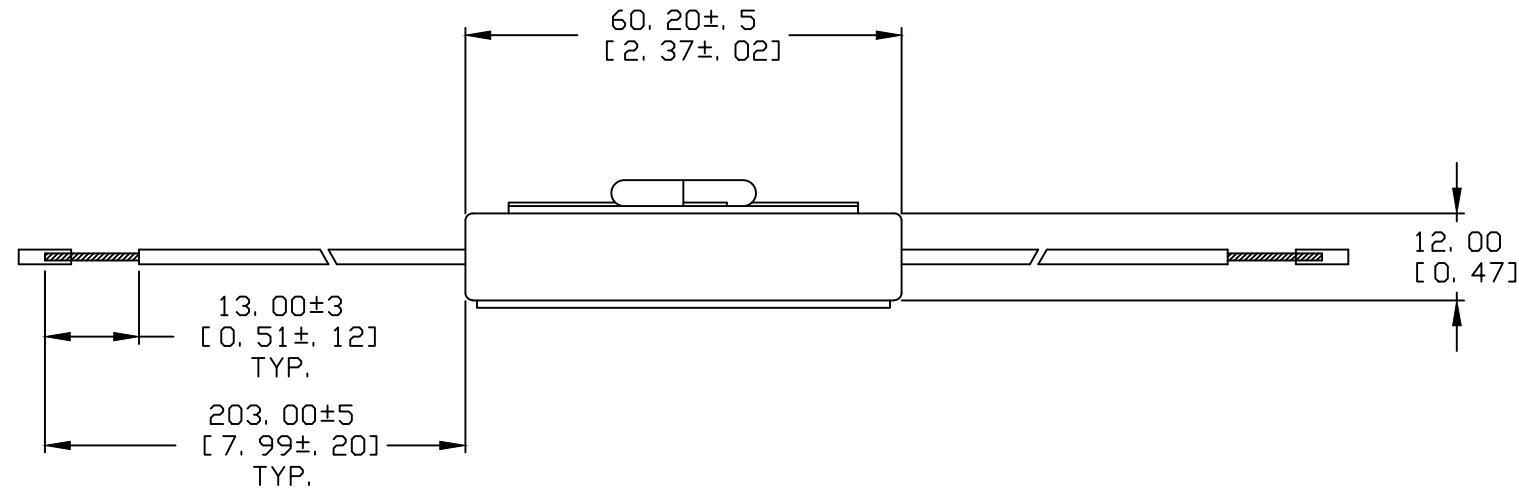


PART NUMBER	DESCRIPTION	UPC CODE	STRIPPED WIRES
01500322.HXA	3AG INLINE FUSEHOLDER WITH RED LEADS	079458 13153	YES
01500322.HXU	3AG INLINE FUSEHOLDER WITH RED LEADS	079458 79725	NO



NOTES:

1. WIRE IS AWG18, RATED @150°C, COLOR: RED
2. INTERNAL TERMINALS ARE BRASS, Sn PLATED

PACKAGING NOTES:

SUPPLIER TO PACKAGE 50 PCS PER BAG. AND LABEL WITH A LABEL PRINTED WITH:
 *LITTELFUSE PART NUMBER
 *DESCRIPTION
 *QUANTITY
 *DATE CODE
 *COUNTRY OF ORIGIN
 *UPC CODE

COMPONENT NO		DESCRIPTION		QTY/M	U/M
BILL OF MATERIAL					
MATERIAL SPEC			FINISH		
DRW	LDL	DATE	02/16/07	SCALE	FULL
CHK		DATE		SUPER DRW	
APPD		DATE		FINISH GOOD WT	GRAMS/PIECE
TOLERANCE UNLESS OTHERWISE SPECIFIED					
TWO PLACE DEC ±.25(.01) FRACTION ±					
THREE PLACE DEC ±.100(.004) ANGULAR ±1°					
TITLE					
3AG INLINE FUSEHOLDER WITH RED LEADS					
COPIES TO			3RD ANGLE PROJECTION		
1	9	18			
2	10	19			
3	12	20			
4	13	21			
5	14	23			
6	15	33			
7	16	43			
8	17	53			
LTR			REVISION		CHK
A	63003-RELEASE 2/16/07 LDL				
B	506100ERE - RELEASED 01500322HXU 09/19/12 WGC				H. SALINAS
C	506780ECE/C-MOD. DWG, NOTES & P/N. 12/11/12 MLB				H. SALINAS
D	508033ECE/D-UPDATE HOLDER & STIP'D WIRE. 04/24/13 WGC				H. SALINAS



REVISION	DRWG. NO.
D	01500322.HXA THRU 01500322.HXU
	FINAL

UNLESS OTHERWISE SPECIFIED, DIMENSIONS ARE IN MILLIMETERS. DIMENSIONS IN BRACKETS [] ARE INCHES

UNLESS OTHERWISE SPECIFIED, DIMENSIONS DO NOT INCLUDE PLATING.

● DENOTES CRITICAL CHARACTERISTICS.

CPK DENOTES CPK DIMENSIONS, -MINIMUM CPK VALUE

(ST) DENOTES A CHARACTERISTIC THAT PROVIDES AN INDICATION OF PROCESS PERFORMANCE. PROCEDURE FOR MEASUREMENT AND TRACKING TO BE DEFINED IN LITTELFUSE INSPECTION INSTRUCTIONS.

CP DENOTES CP DIMENSIONS, -MINIMUM CP VALUE MUST BE WITHIN THE DIMENSIONAL LIMITATIONS SHOWN ON DRAWING AND INITIALLY LOCATED TO ALLOW FOR MAXIMUM TOOL LIFE.