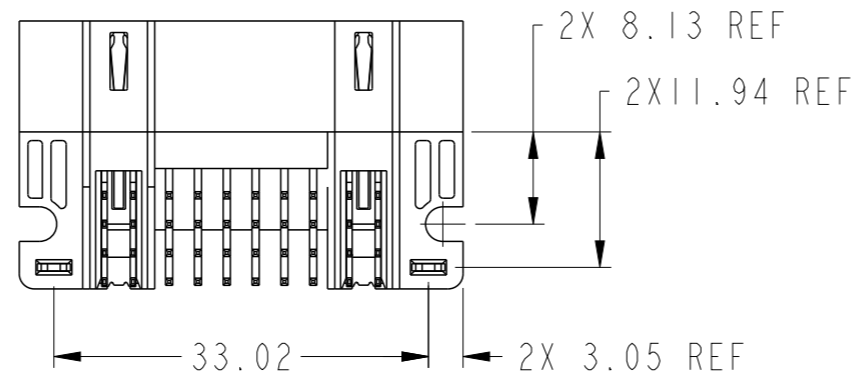
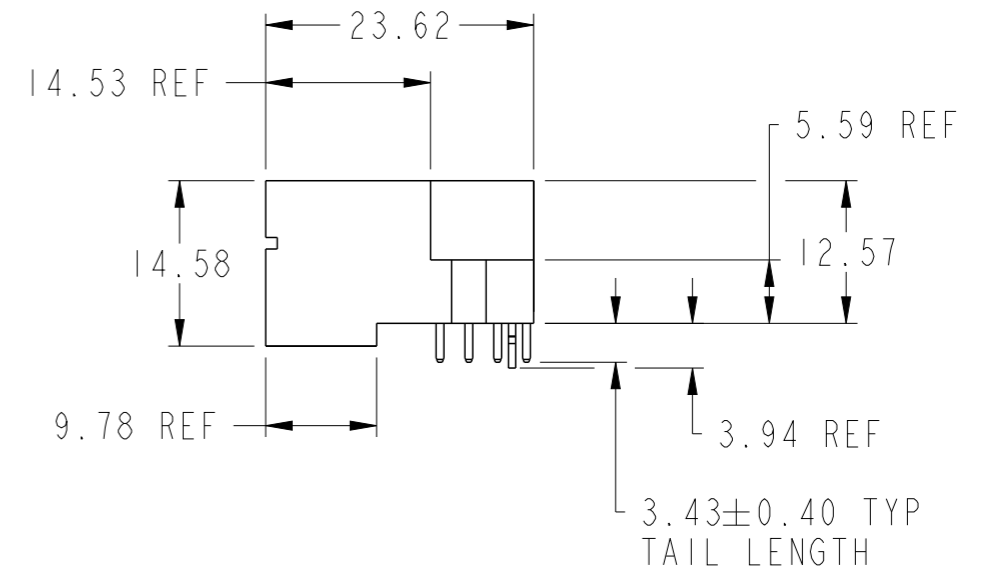
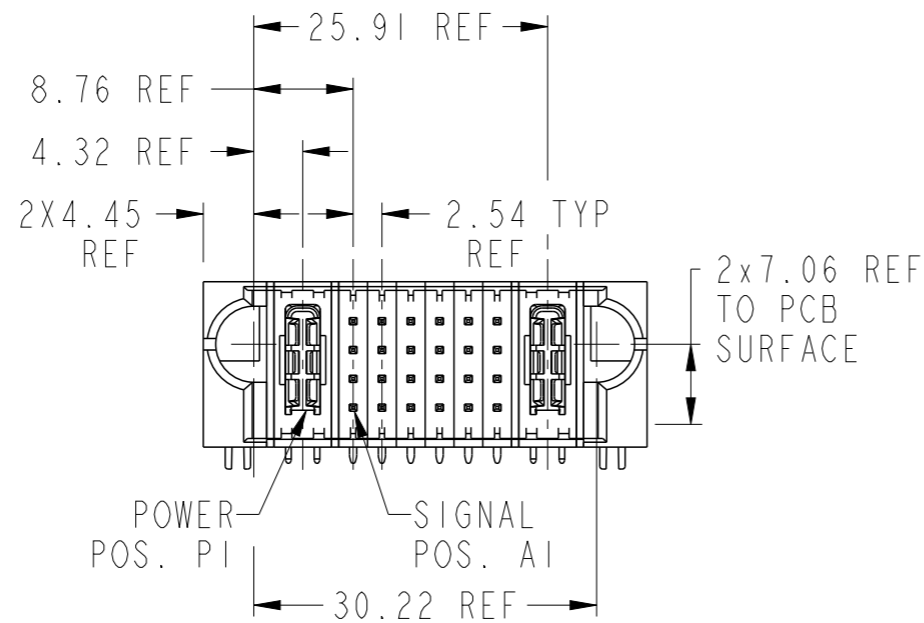
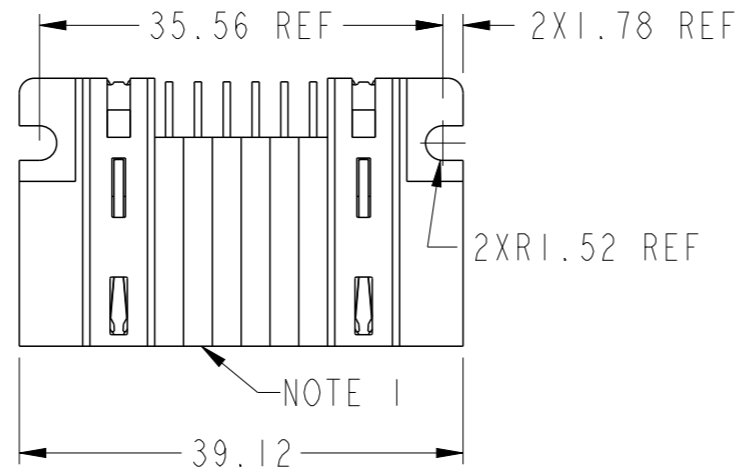


PART NUMBER 10106262-2LUB201LF

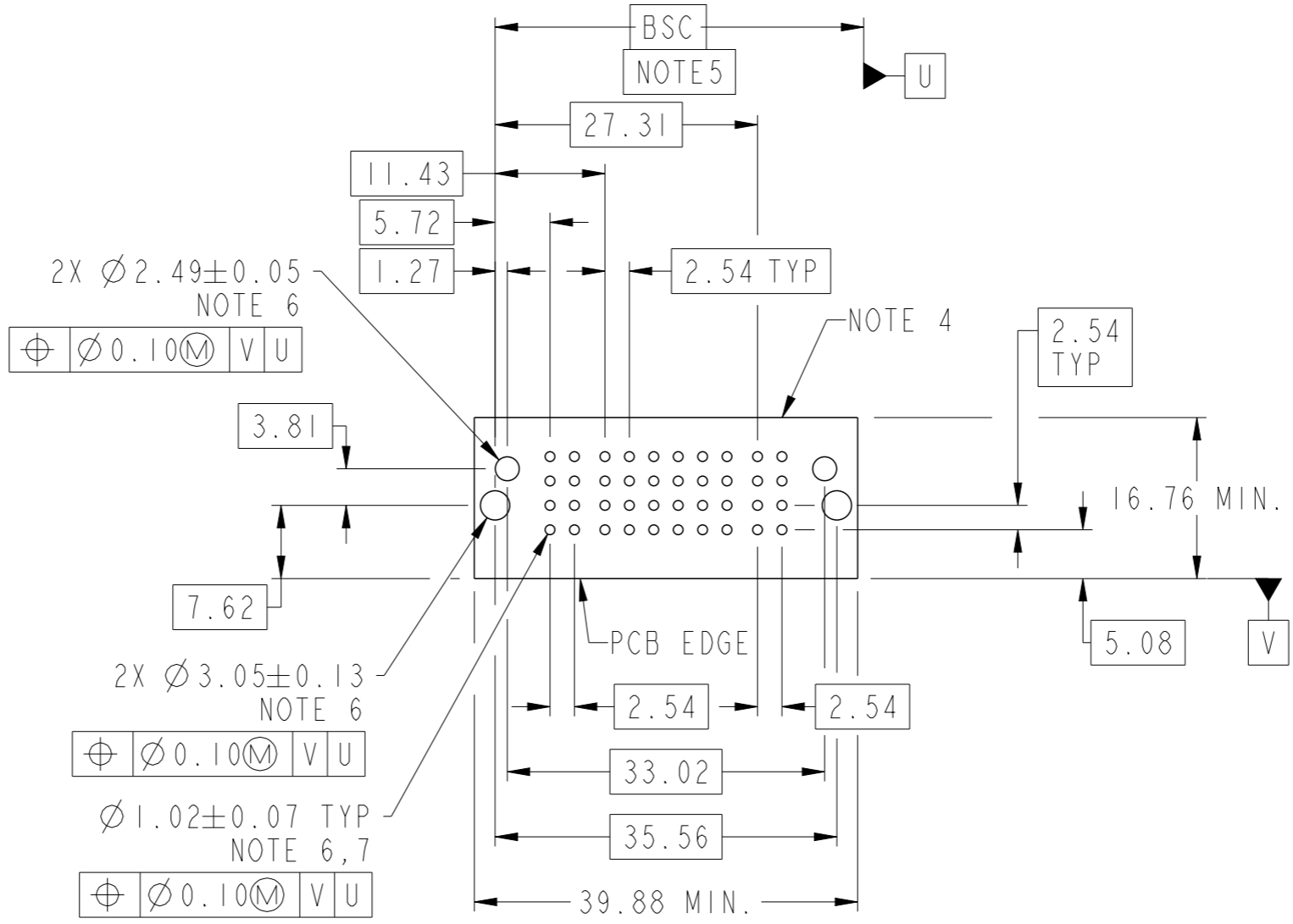


spec ref *	dr	Xie Bob	2014/01/02	projection	MM	size	A3	scale	3:2
tolerance std	eng	Xie Bob	2014/02/10			ecn no	-	rel level	Released
ASME Y14.5	chr	Li-He	2014/01/23						
TOLERANCES UNLESS OTHERWISE SPECIFIED				product family	PwrBlade+				
surface ✓	ASME Y14.5	linear	0.X	±0.5		IHP + 24S + IHP RA PF HEADER	dwg no 10106262-2LUB201	rev A	cat. no. Product - Customer Drw
			0.XX	±0.25					
			0.XXX	±0.10					
	angular	0°	±2°	www.fci.com		sheet 1 of 3			



Copyright FCI.

PRODUCT NO.	ROWS	POWER		SIGNAL						POWER	
		E1	P1	1	2	3	4	5	6	P2	E2
10106262-2LUB201LF	DCBA	HA	H1	U	U	U	U	U	U	H1	HA



CODE	DESCRIPTION
F	MLBF SIGNAL CONTACT, ROW B (3.43)
HI	STD HIGH POWER CONTACT (3.43)
HA	METAL HOLD DOWN
R	STD SIGNAL CONTACT, ROW A (3.43)
S	STD SIGNAL CONTACT, ROW B (3.43)
T	STD SIGNAL CONTACT, ROW C (3.43)
U	STD SIGNAL CONTACT, ROW D (3.43)

dr	Xie Bob	2014/01/02	projection	MM	size	A3	scale	3:2
eng	Xie Bob	2014/02/10			ecn no		-	
chr	Li-He	2014/01/23			rel level		Released	
appr	Pei-Ming Zheng	2014/02/10	product family		PwrBlade+		-	
			IHP + 24S + IHP			dwg no		10106262-2LUB201
www.fci.com			RA PF HEADER			rev		A
cat. no.			Product - Customer Drw			sheet 2 of 3		

Copyright FCI.

NOTES:

- 1) "FCI", PART NUMBER AND DATE CODE TO BE MARKED ON THIS SURFACE.  
THE P/N CAN BE OMITTED IF THERE IS NOT ENOUGH SPACE ON THIS SURFACE.
- 2) MATERIALS:  
-HOUSING - GLASS FILLED WITH HIGH TEMP THERMOPLASTIC, UL94V-0.  
-SIGNAL CONTACT - COPPER ALLOY.  
-POWER CONTACT - HIGH CONDUCTIVITY COPPER ALLOY.
- 3) PLATING SPECIFICATION REFER TO FCI 10116351
- 4) DENOTES CONNECTOR KEEP OUT ZONE.
- 5) DATUM AND BASIC DIMENSIONS WERE ESTABLISHED BY CUSTOMER.
- 6) ALL HOLE DIAMETERS ARE FINISHED HOLE SIZES.
- 7)  $1.15 \pm 0.025$ MM DRILLED HOLE PLATED WITH 0.00762MM MIN Sn  
OVER 0.0254-0.0762MM Cu PLATING TO ACHIEVE A  $1.02 \pm 0.07$ MM HOLE.
- 8) PRODUCT SPECIFICATION REFER TO FCI GS-12-658.  
APPLICATION SPECIFICATION REFER TO FCI GS-20-141.  
PRODUCT PACKAGED IN TRAYS, REFER TO FCI GS-14-1502.
- 9) SPECAIL LUBRICANT COMPOSED Zonyl PFPE 109  
APPLIED TO THE MATING INTERFACE OF THE HIGH POWER  
CONTACTS WITH 3-BEAMS .



Copyright FCI.

dr	Xie Bob	2014/01/02	projection 	MM 	size	A3	scale	3:2	
eng	Xie Bob	2014/02/10			ecn no	-			
chr	Li-He	2014/01/23			rel level	Released			
appr	Pei-Ming Zheng	2014/02/10	product family	PwrBlade+					
		IHP + 24S + IHP			dwg no	10106262-2LUB201		rev	A
www.fci.com		cat. no.	Product - Customer Drw		sheet 3 of 3				