

NEW

LR composite device

Japan

Type: **WRF**



LR composite device with Inductor and Resistor function in 1005 package, ideal for bus line noise suppression circuits and ESD.

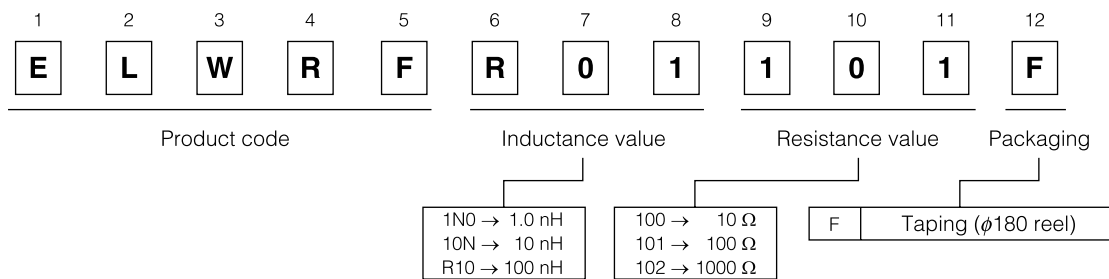
■ Features

- Effective for noise and ESD at the same time
- Simple pattern without connecting GND pattern

■ Recommended Applications

- Information/communication devices with LCD displays

■ Explanation of Part Numbers



■ Standard Packing Quantity

- 10000 pcs./Reel

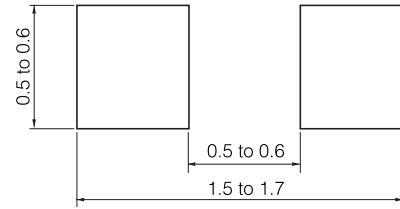
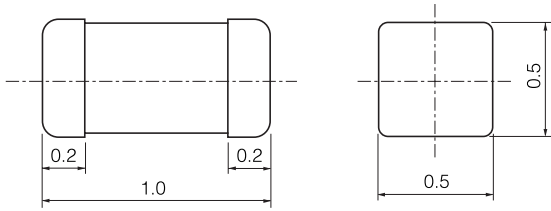
■ Standard Parts : WRF Type

Part Number	Inductance			DC Resistance		Self Resonant Freq. (MHz) min.	DC Current (mA) max.
	(nH)	Tolerance	Test Freq.	Resistance (Ω)	Tolerance		
ELWRFR1010F	100	± 5 %	100 MHz	100	± 20 %	1200	23

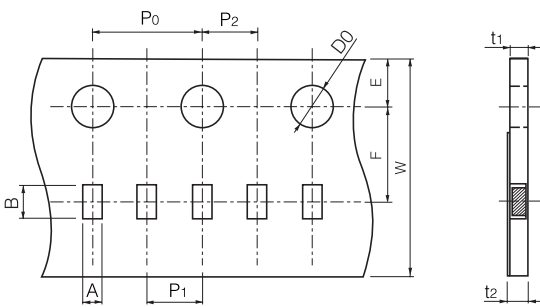
* Range for design L : to100 nH
 R : 5 to 14 Ω (at 10 nH), 70 to 200 Ω (at 100 nH)

- Dimensions in mm (not to scale)
- 1005 (0402) WRF Type

- Recommended Land Pattern in mm (not to scale)

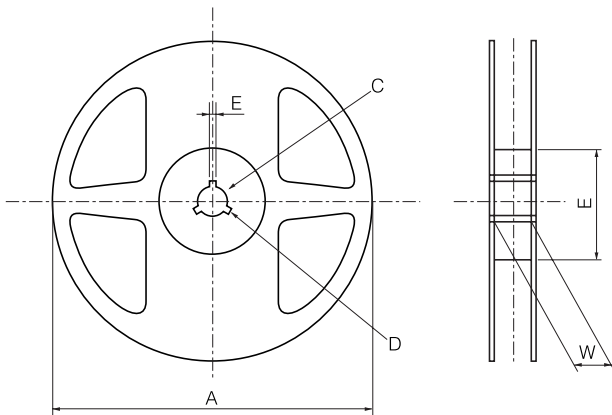


■ Paper Tape Dimensions in mm (not to scale)



Dimensions	A	B	W	F	E	P ₁
Size	0.65±0.10	1.15±0.10	8.00±0.30	3.50±0.05	1.75±0.10	2.00±0.05
Dimensions	P ₂	P ₀	D ₀	t ₁	t ₂	
Size	2.00±0.05	4.00±0.10	1.55±0.05	0.70 max.	1.00 max.	

■ Reel Dimensions in mm (not to scale)



Dimensions	A	B	C	D	E	W
Size	178.0±2.0	60.0±0.5	13.0±0.5	21.0±0.8	2.0±0.5	9.0±0.3