

NOTES:

1. CHARACTERISTICS:

RATED VOLTAGE: 250V  
RATED CURRENT: 2.5AMP  
CONTACT RESISTANCE: 25mohms MAX. INITIAL,  
40mohms MAX. AFTER.

INSULATION RESISTANCE: 5000Mohms MIN. at 500V DC  
DIELECTRIC STRENGTH: 750VRMS  
OPERATING TEMPERATURE RANGE: -55° C~105° C  
INSERTION/EXTRACTION FORCE PER CONTACT: 5N Max. /0.2N Min.  
MATING/UNMATING CYCLES: 200MATINGS MIN FOR GOLD-FLASH  
500MATINGS MIN FOR 30u" GOLD.

2. MATERIAL:

INSULATORS: THERMOPLASTIC G.F(UL94V-0) BLACK  
CONTACTS: COPPER ALLOY, GOLD(G/F or 30u") TOP OVER CONTACT  
AREA, 100u" Min MATTE TIN TOP OVER SOLDER AREA,  
50u" Min NICKEL UNDER PLATE.

SHELL: CARBON STEEL, 100u" Min NICKEL TOP OVER,  
50u" Min COPPER UNDER PLATE.

HARPOON: COPPER ALLOY , 100u" Min MATTE TIN PLATED.

3. Type H Insulator will withstand exposure to 260° C peak temperature  
for 10 seconds maximum in a wave soldering application

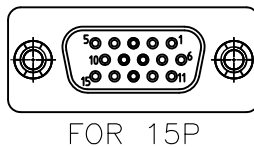
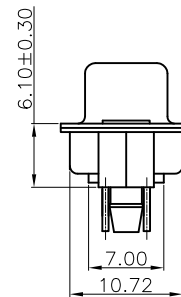
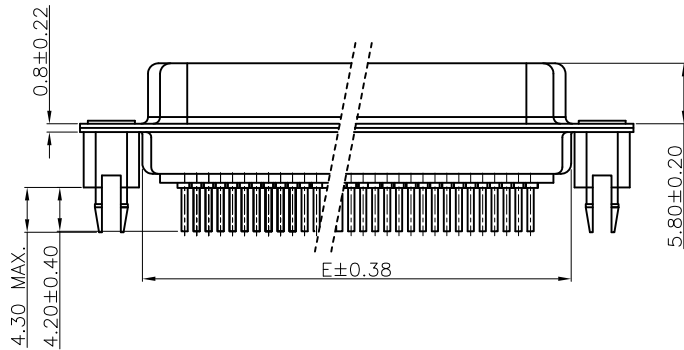
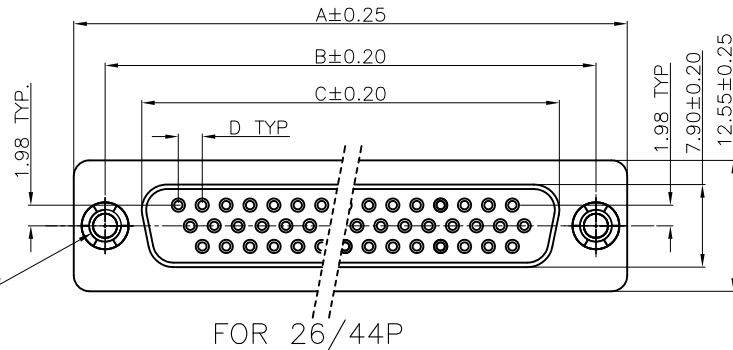
4. PART NUMBER DESCRIPTION:

10090929-S XX X X LF

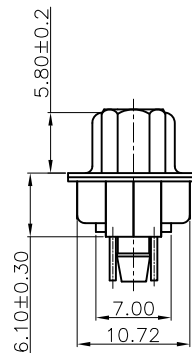
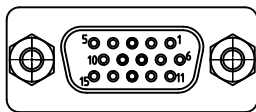
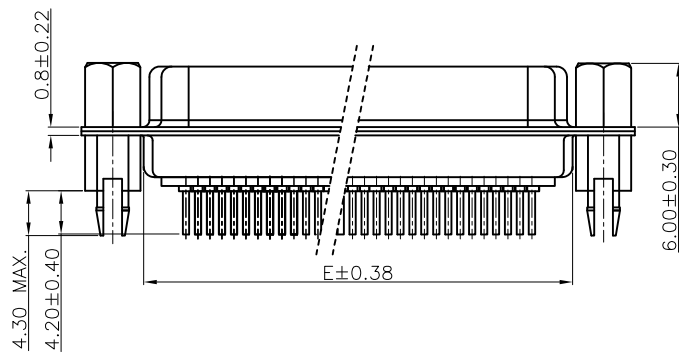
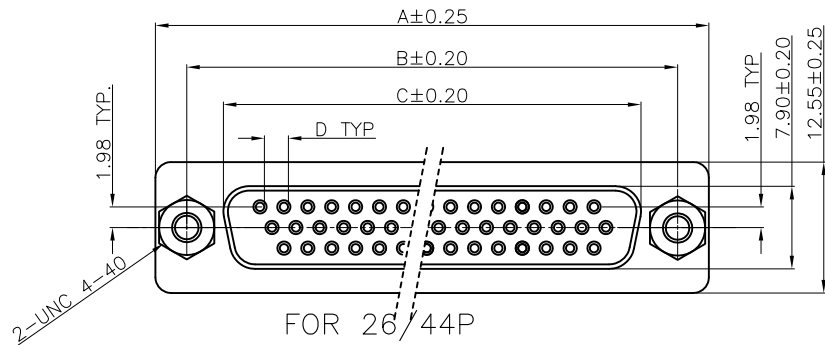
SERIES NO. \_\_\_\_\_  
TYPE \_\_\_\_\_  
S: SOCKET PBT (FEMALE)  
H: SOCKET PART (FEMALE)  
(See Note 3)  
NUMBER OF CONTACTS \_\_\_\_\_  
15: 15-PIN  
26: 26-PIN  
44: 44-PIN  
LF: ROHS COMPLIANT  
FLANGE MOUNTING OPTION  
X: UNC #4-40 CLINCHNUTS  
CONTACT FINISH  
4: FLASH GOLD  
6: 30u" GOLD

POS.	PART NO.	THREAD TYPE
15	10090929-*15*XLF	UNC #4-40
26	10090929-*26*XLF	UNC #4-40
44	10090929-*44*XLF	UNC #4-40

POS.	A	B	C	D	E
15	30.81	24.99	16.33	2.29	19.10
26	39.24	33.32	24.66	2.29	27.75
44	53.04	47.04	38.38	2.29	41.30



mat'l. code		surface		tolerance		projection		product family		
-		ISO 1302 ✓		ISO 406 ISO 1101		⊕		D-SUB		
ltr		ecn no	dr	date	tolerances unless otherwise specified		title		H/D D-SUB FEMALE STRAIGHT	
A	T09-1156	JH	12/10/09	angles	.0±0.38		MM			
B	T10-0164	JH	10/19/10	linear	.00±0.25		scale 2:1			
C	ELX-I-15500	AB	2013/08/21	0'±2'	.000±0.010					
D	ELX-I-18426	AB	2014/07/29	dr	JASON HSU	12/10/09	dwg no		sheet 1 of 3 size	
E	ELX-I-20972	AB	2015/05/30	engr	MITHUN PAUL	2016/04/27	10090929		A3	
F	ELX-I-24092	MP	2016/05/13	chr	GREGAR MATHEW	2016/04/27	type		Product Customer Drawing	
sheet index		revision	F	F	F	F				
sheet		1	2	3						



REMARK:

1. CHARACTERISTICS:

RATED VOLTAGE: 250V  
 RATED CURRENT: 2.5AMP  
 CONTACT RESISTANCE: 25mohms MAX. INITIAL,  
 40mohms MAX. AFTER.

INSULATION RESISTANCE: 5000Mohms MIN. at 500V DC  
 DIELECTRIC STRENGTH: 750VRMS  
 OPERATING TEMPERATURE RANGE: -55° C~105° C  
 INSERTION/EXTRACTION FORCE PER CONTACT: 5N Max./0.2N Min.  
 MATING/UNMATING CYCLES: 200MATINGS MIN FOR GOLD-FLASH  
 500MATINGS MIN FOR 30u" GOLD.

2. MATERIAL:

INSULATORS: THERMOPLASTIC G.F(UL94V-0) BLACK  
 CONTACTS: COPPER ALLOY, GOLD(G/F or 30u") TOP OVER CONTACT  
 AREA, 100u" Min MATTE TIN TOP OVER SOLDER AREA,  
 50u" Min NICKEL UNDER PLATE.  
 SHELL: CARBON STEEL, 100u" Min NICKEL TOP OVER,  
 50u" Min COPPER UNDER PLATE.  
 HARPOON: COPPER ALLOY, 100u" Min MATTE TIN PLATED.  
 NUT: COPPER ALLOY, 50u" Min NICKEL PLATED.

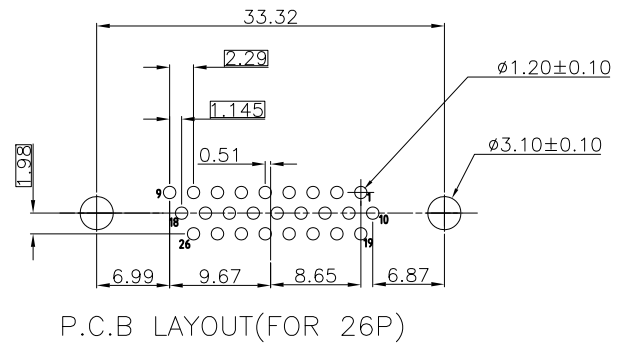
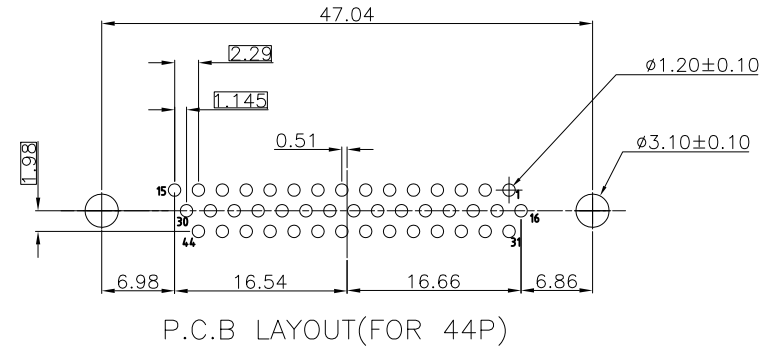
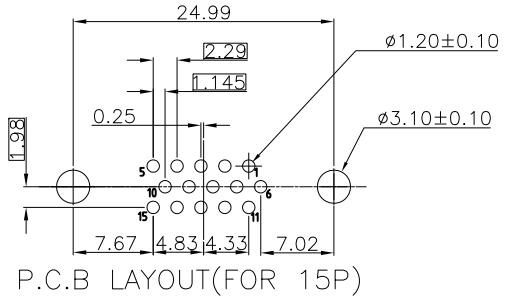
3. Type II Insulator will withstand exposure to 260° C peak temperature for 10 seconds maximum in a wave soldering application

4. PART NUMBER DESCRIPTION:

10090929-S XX X V LF  
 SERIES NO. \_\_\_\_\_  
 TYPE \_\_\_\_\_  
 S: SOCKET (FEMALE)  
 H: SOCKET PART (FEMALE)  
 (See Note 3)  
 NUMBER OF CONTACTS \_\_\_\_\_  
 15: 15-PIN  
 26: 26-PIN  
 44: 44-PIN  
 LF: ROHS COMPLIANT  
 FLANGE MOUNTING OPTION  
 V: UNC #4-40 SCREWSLOCKS  
 CONTACT FINISH  
 4: FLASH GOLD  
 6: 30u" GOLD

POS.	A	B	C	D	E
15	30.81	24.99	16.33	2.29	19.10
26	39.24	33.32	24.66	2.29	27.75
44	53.04	47.04	38.38	2.29	41.30

mat'l. code		surface		tolerance		projection		product family	
-		ISO 1302		ISO 406 ISO 1101		D-SUB		D-SUB	
ltr		ecn no		dr		date		title	
F								H/D D-SUB FEMALE STRAIGHT	
		angles		linear		MM			
		0±2'		.0±0.38		scale 2:1			
				.00±0.25					
				.000±0.010					
		dr		JASON HSU		12/10/09		dwg no	
		engr		MITHUN PAUL		2016/04/27		sheet 2 of 3	
		chr		GREGAR MATHEW		2016/04/27		size	
		appd		BIJU K PAUL		2016/04/27		A3	
sheet		revision						10090929	
index		sheet						type Product Customer Drawing	



mat'l. code		-		surface	ISO 1302	tolerance	ISO 406	ISO 1101	projection	product family	
ltr		ecn no	dr	date		tolerances unless otherwise specified				D-SUB	
F						angles	.0±0.38		MM	title	
						linear	.00±0.25			H/D D-SUB FEMALE STRAIGHT	
						0'±2'	.000±0.010		scale 2:1	sheet 3 of 3	
					dr	JASON HSU	12/10/09		Amphenol FCI	sheet 3 of 3	
					engr	MITHUN PAUL	2016/04/27			size	
					chr	GREGAR MATHEW	2016/04/27			A3	
					appd	BIJU K PAUL	2016/04/27			10090929	
sheet index		revision sheet								type Product Customer Drawing	