

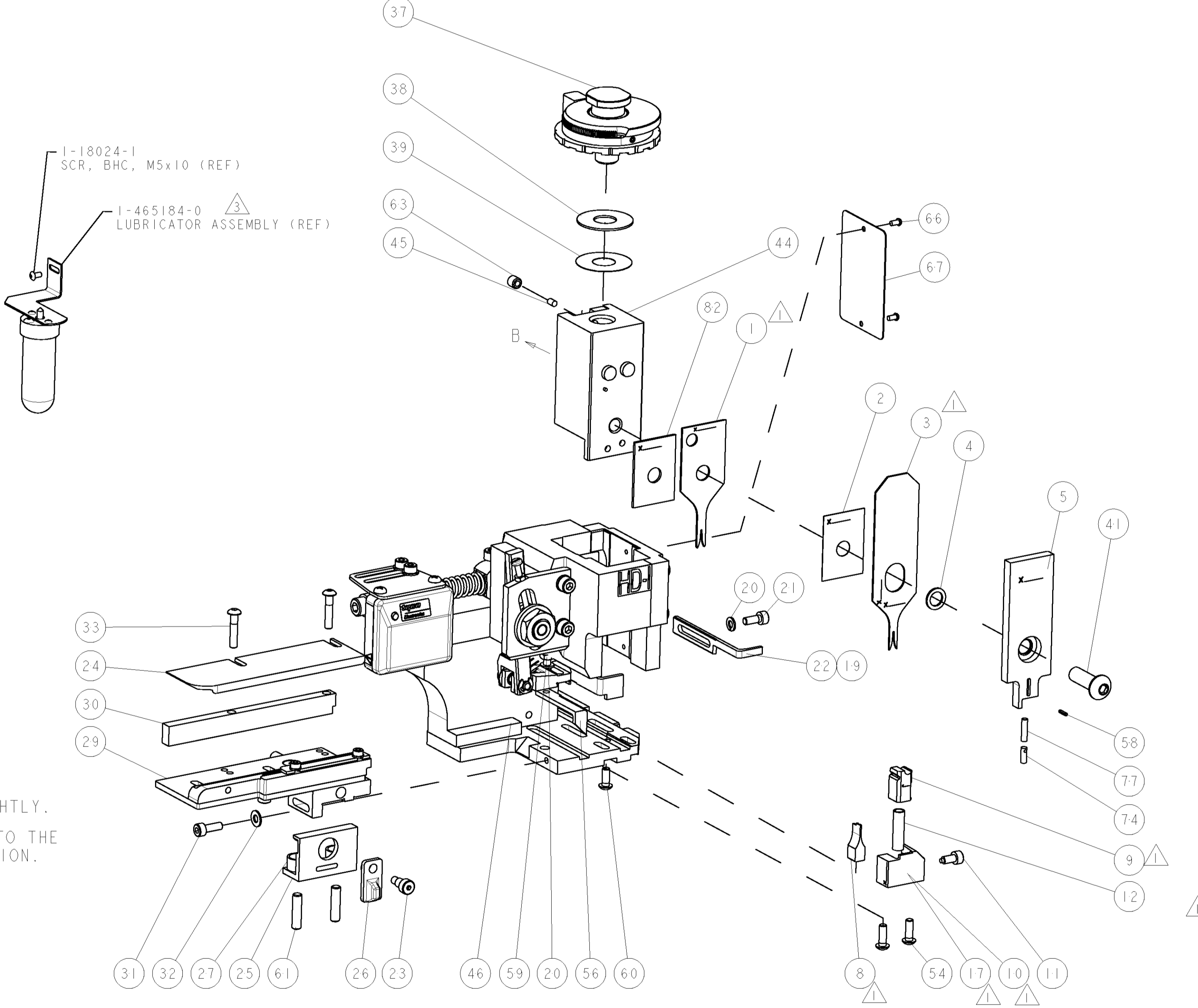
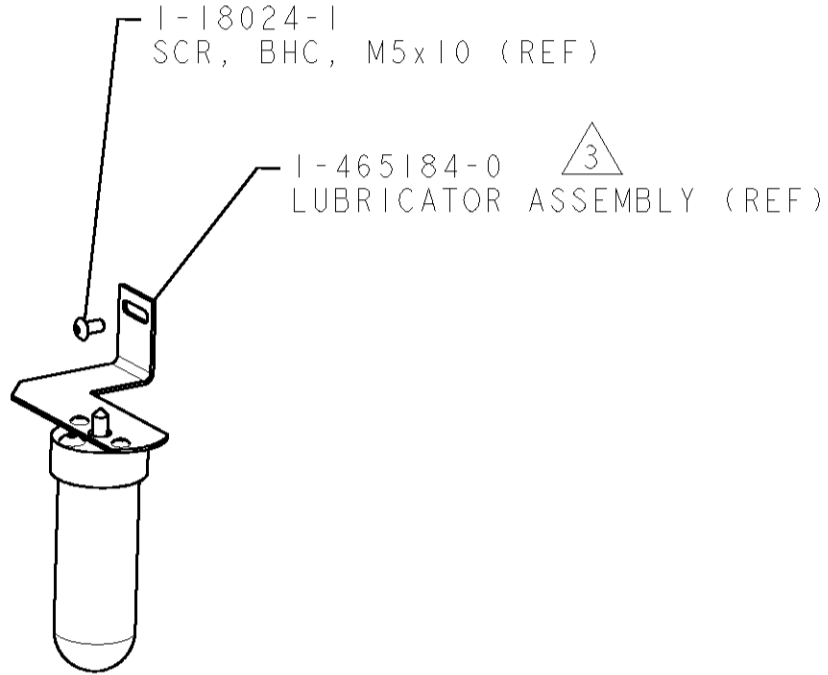
THIS DRAWING IS UNPUBLISHED. RELEASED FOR PUBLICATION

PART NUMBER	REV	TERMINATOR	FEED TYPE	DESCRIPTION
1528299-1	C	LEADMAKER	MECH POST FEED	CUTS CARRIER
1528299-2	C	BENCH	MECH PRE FEED	CUTS CARRIER
1528299-6	C	LEADMAKER	MECH POST FEED	CONTINUOUS CARRIER
7-1528299-1	C	LEADMAKER	MECH POST FEED	-1 AND SPARE PARTS
7-1528299-2	C	BENCH	MECH PRE FEED	-2 AND SPARE PARTS
7-1528299-6	C	LEADMAKER	MECH POST FEED	-6 AND SPARE PARTS
7-1528299-7	C	-	-	SPARE PARTS KIT

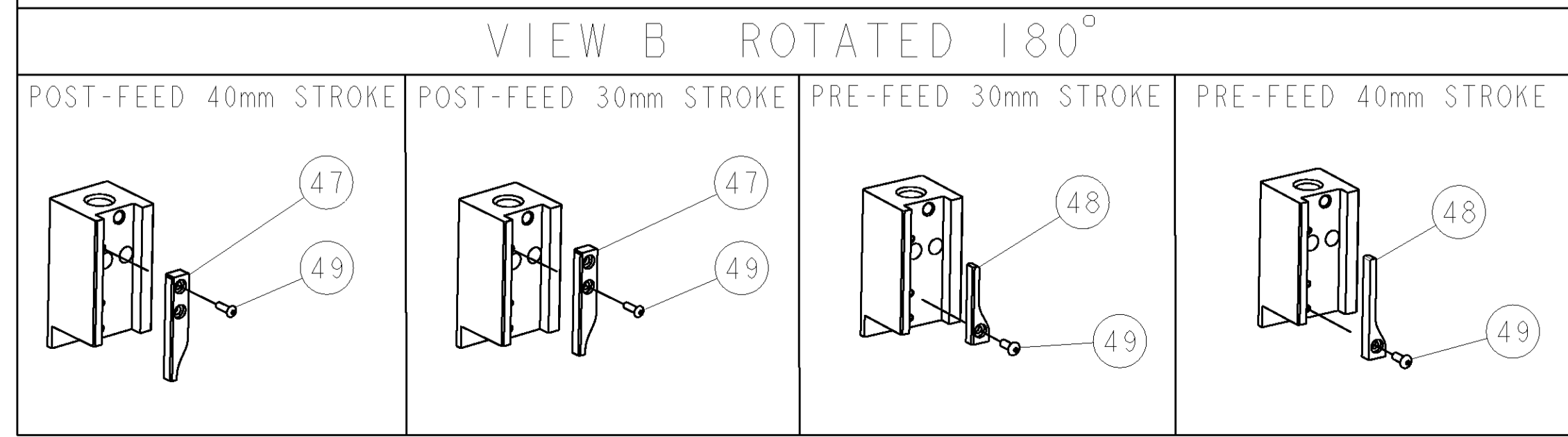
WIRE	SIZE	TYPE	RANGE
WIRE	0.80 [0.031 IN]	F	28-26 AWG or 0.08-0.12mm ²
INSUL	0.85 [0.033 IN]	F	0.50-1.00 [0.020-0.039 IN]

TE PN	MFR PN		
993820-1	50079-8000	-	-

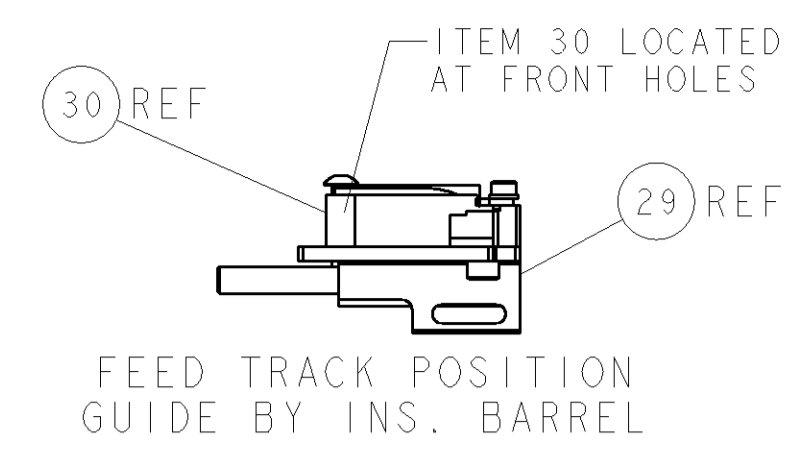
WIRE SIZE	CRIMP HEIGHT	REF SETTING
26AWG or 0.12mm ²	0.60-0.65 [0.023-0.025 IN]	B0
28AWG	0.58-0.64 [0.023-0.025 IN]	B0
28AWG or 0.08mm ²	0.56-0.61 [0.022-0.024 IN]	B1



* WARNING
ON INSTALLATION, SET WIRE DISC TO LARGEST WIRE SIZE SETTING. USE OF SETTINGS BELOW MIN. REQUIRED CRIMP HEIGHT SETTING WILL CAUSE DAMAGE TO CRIMP TOOLING.



QTY	PART NO	DESCRIPTION	ITEM NO
-	-	-	84
-	-	-	83
-	1-455888-1	SPACER, CRIMPER	82
-	-	-	81
-	-	-	80
-	-	-	79
-	-	-	78
-	1-22278-0	SPRING, COMPRESSION	77
-	-	-	76
-	-	-	75
-	854769-2	HOLDER, INS	74
-	-	-	73
QTY	PART NO	DESCRIPTION	ITEM NO



SET UP GAGE 458637-3		LOC	DIST	REVISIONS			
REV	DATE	DESCRIPTION	DATE	BY	CHK	APPV	
A	66	SEE ECR-08-026037	21OCT2008	MC	MC	MC	

QTY	PART NO	DESCRIPTION	ITEM NO
-	-	-	73
-	-	-	72
-	1-1338705-3	DOCUMENTATION PACKAGE	71
-	-	-	70
-	-	-	69
-	-	-	68
-	461264-5	PLATE, IDENTIFICATION	67
-	21017-2	SCREW, DRIVE	66
-	-	-	65
-	-	-	64
-	3-18031-0	SCR, SET, CUP POINT M6 X 6.0	63
-	-	-	62
-	2-18032-5	SCR, SET, FLT POINT M5 X 20.0	61
-	18024-7	SCR, BTN SKT HD CAP (M4 X 10.0)	60
-	5-18022-2	SCR, HEX HD CAP M4 X 8.0	59
-	21028-2	PIN, SLOTTED SPRING .062 X .250	58
-	-	-	57
-	1338685-1	PAWL, FEED	56
-	-	-	55
-	18024-8	SCR, BTN SKT HD CAP (M4 X 12.0)	54
-	-	-	53
-	-	-	52
-	-	-	51
-	-	-	50
-	18024-3	SCR, BTN SKT HD CAP (M3 X 10.0)	49
-	1338675-1	CAM, UNIVERSAL PRE FEED	48
-	1338676-1	CAM, UNIVERSAL POST-FEED	47
-	1320999-3	APPLICATOR SUBASSEMBLY, HDI	46
-	690191-1	PLUG, NYLON	45
-	1338660-1	RAM	44
-	-	-	43
-	-	-	42
-	2-18024-6	SCR, BTN SKT HD CAP (M8 X 25.0)	41
-	-	-	40
-	690125-1	SHIM SUB-ASSY	39
-	469367-7	SHIM	38
-	879103-3	FINE ADJUST HEAD ASSEMBLY	37
-	-	-	36
-	-	-	35
-	-	-	34
-	1-18024-0	SCR, BTN SKT HD CAP (M4 X 20.0)	33
-	18027-2	WASHER, FLAT, REG M4	32
-	1-18023-2	SCR, SKT HD CAP M4 X 12.0	31
-	1320908-9	SPACER, STRIP GUIDE	30
-	1633073-3	STRIP GUIDE ASSEMBLY	29
-	-	-	28
-	1-22284-0	SPRING, COMPRESSION	27
-	356835-1	LEVER, DRAG RELEASE	26
-	240792-1	DRAG, TERMINAL	25
-	1320928-1	PLATE, STRIP GUIDE	24
-	980371-4	SCR, SKT HD SHLDR 5.0 DIA X 6.0	23
-	690472-2	STRIPPER	22
-	1-18023-1	SCR, SKT HD CAP M4 X 10.0	21
-	18025-2	WASHER, SPRG LOCK, REG M4	20
-	1-690472-9	STRIPPER	19
-	-	-	18
-	1338684-1	SHEAR HOLDER, FRONT	17
-	-	-	16
-	-	-	15
-	-	-	14
-	-	-	13
-	3-22280-3	SPRING, COMPRESSION	12
-	356885-4	STOP, SHEAR	11
-	1320921-1	SHEAR HOLDER, FRONT, CUT	10
-	462006-1	FLOATING SHEAR, FRONT	9
1	1-1333228-7	ANVIL	8
-	-	-	7
-	-	-	6
-	854772-1	DEPRESSOR, SHEAR	5
-	2-238011-8	BLOCK, CRIMPER SPACER	4
1	7-683453-0	CRIMPER, INSULATION PREMIUM	3
-	455888-1	SPACER, CRIMPER	2
1	1-1633021-2	CRIMPER, WIRE F	1

QTY	PART NO	DESCRIPTION	ITEM NO
-	-	-	84
-	-	-	83
-	1-455888-1	SPACER, CRIMPER	82
-	-	-	81
-	-	-	80
-	-	-	79
-	-	-	78
-	1-22278-0	SPRING, COMPRESSION	77
-	-	-	76
-	-	-	75
-	854769-2	HOLDER, INS	74
QTY	PART NO	DESCRIPTION	ITEM NO