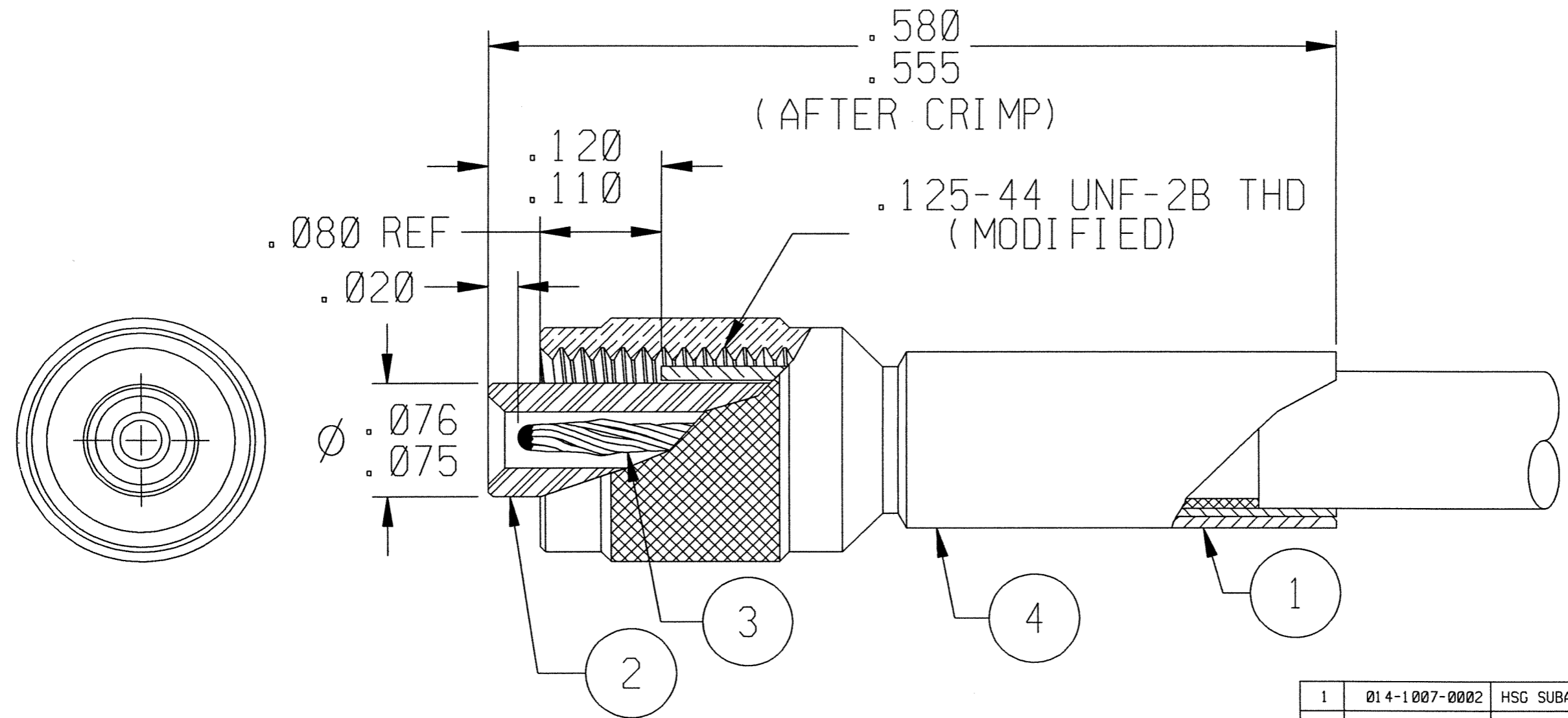


REVISION					
ZONE	LTR	ECN	DESCRIPTION	DATE	APPROVED
	0	36945	SEE ECN	4/5/97	PS
	E	39264	UPDATE REV. LETTER	8/12/99	PS



Tyco Dwg 3-1532006-0
Micro P/N 142-0000-0004

NOTES: UNLESS OTHERWISE SPECIFIED

1. ALL METALLIC PARTS ARE GOLD PLATED PER MIL-G-45204, TYPE II, GRADE C, CLASS 1
2. MATES WITH ALL LEPRA/CON 141 SCREW-ON SERIES JACKS AND RECEPTACLES.
3. FOR ASSEMBLY INSTRUCTION SEE RF-ASMG-12.
4. CABLE ACCEPTANCE DIMENSIONS:
 CENTER CONDUCTOR DIA - - - - - .012
 DIELECTRIC DIA - - - - - .034
 SHIELD DIA - - - - - .054
 JACKET DIA - - - - - .080

QTY	PART NUMBER	DESCRIPTION	ITEM NO
1	014-1007-0002	HSG SUBASSY .156 KNURL	4
1	014-1002-0001	CONTACT FERRULE SUBASSY/TEFLON INSUL	3
1	014-0005-0002	INSULATOR, HOUSING, TORLON	2
1	014-0004-0002	CRIMP SLEEVE COPPER ALLOY	1

UNLESS OTHERWISE SPECIFIED DIMENSIONS ARE IN INCHES. TOLERANCE ARE: FRACTIONS ± 1/8 DECIMALS .XX ± .XXX ± .010 ANGLES ± 2°	APPROVALS		MICRODOT CONNECTORS A DIVISION OF UNI-STAR INDUSTRIES INC. 306 PASADENA AVE., SO. PASADENA, CA 91030	PROD CODE 946 CODE CDM	
	SIGNATURE	DATE			
	DRAWN MEL F. CAMPOS	06/13/96			
	CHECKED				
MATERIAL:	PROJ. ENG. <i>[Signature]</i>	4/5/97	STRAIGHT PLUG CONNECTOR ASSY		
FINISH:	APPROVED				
THIS DOCUMENT IS THE PROPERTY OF MICRODOT CONNECTORS, A DIVISION OF UNI-STAR INDUSTRIES INC. USE OF THIS DOCUMENT OR ANY PART THEREOF IS STRICTLY FORBIDDEN WITHOUT THE EXPRESS WRITTEN PERMISSION OF MICRODOT CONNECTORS, A DIVISION OF UNI-STAR INDUSTRIES INC.			SIZE B	CODE IDENT NO. 98278	DRAWING NO. 142-0000-0004
SCALE: NONE			SHEET 1 OF 1		