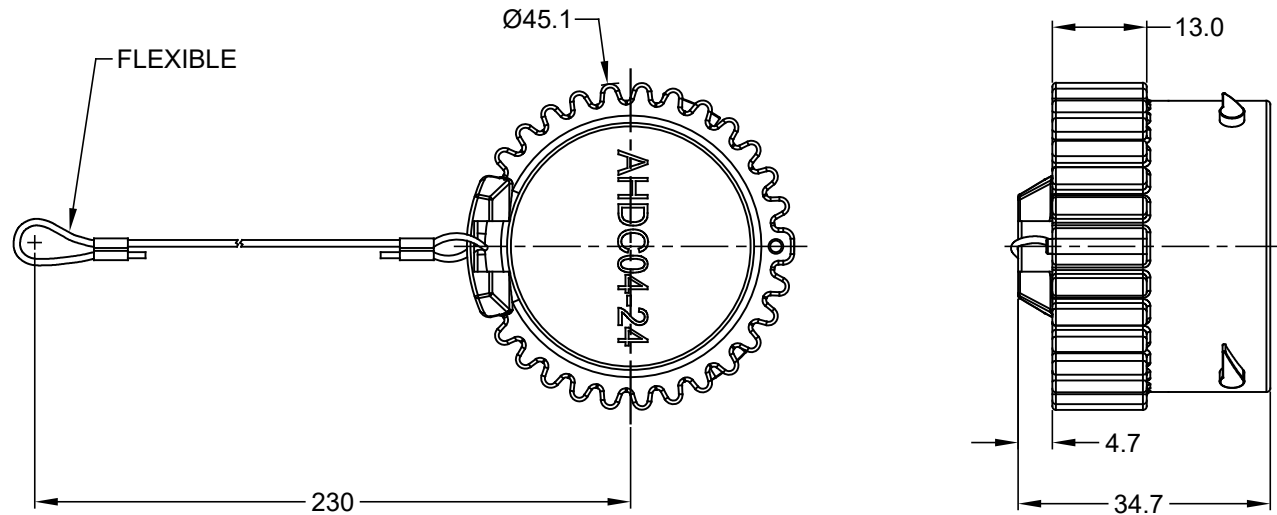


REVISIONS

REV	ECO	DESCRIPTION	DATE	BY	APPR
01		PRELIMINARY DRAWING	16MAY17	SULLEN	TOMMY
02		CHANGE P/N TO AHDC04-24-T	01JUN17	SULLEN	TOMMY



NOTES: UNLESS OTHERWISE SPECIFIED

1. MATERIAL:

SHELL: THERMOPLASTIC
 SEAL: SILICONE RUBBER
 CORD: NYLON

2. COLORS: BLACK

3. RoHS COMPLIANT

4. COMPATIBLE WITH ALL SIZE 24 AHDP SERIES PLUG.

5. ALL DIMENSIONS ARE FOR REFERENCE USE ONLY.

AHDC04-24-T				
PART NUMBER		DESCRIPTION		ITEM
QUANTITY	MATERIALS LIST			
UNLESS OTHERWISE SPECIFIED		SIGNATURES		DATE
1) All dimensions are in metric(mm).		DRAWN: SULLEN.ZHANG		01JUN17
2) Tolerances are as follows:		CHECKED: ORION.LI		01JUN17
1 PL DEC ±0.30		ENGINEER:		
2 PL DEC ±0.15		APPROVAL: TOMMY.XIE		01JUN17
3 PL DEC ±0.08		CUSTOMER:		
3) Note reference =		THIS DRAWING IS SUPPLIED FOR INFORMATION ONLY. DESIGN FEATURES, SPECIFICATIONS AND PERFORMANCE DATA SHOWN HEREON ARE THE PROPERTY OF THE AMPHENOL CORPORATION. NO RIGHTS OF REPRODUCTION ARE IMPLIED. ALL DIMENSIONS ARE SUBJECT TO NORMAL MANUFACTURING VARIATIONS.		
MATERIAL SPECIFICATIONS:		SIZE		TYPE
PROCESS SPECIFICATIONS:		A		C-
NEXT ASSY:		DWG NO:		REVISION
		AHDC04-24-T		02
		SCALE: NONE		SHEET 1 OF 1

Amphenol

Sine Systems - www.amphenol-sine.com
 44724 Morley Drive
 Clinton Township, MI 48036

PROTECTIVE CAP FOR PLUGS,
 WITH CORD, AHDP SERIES, SIZE 24