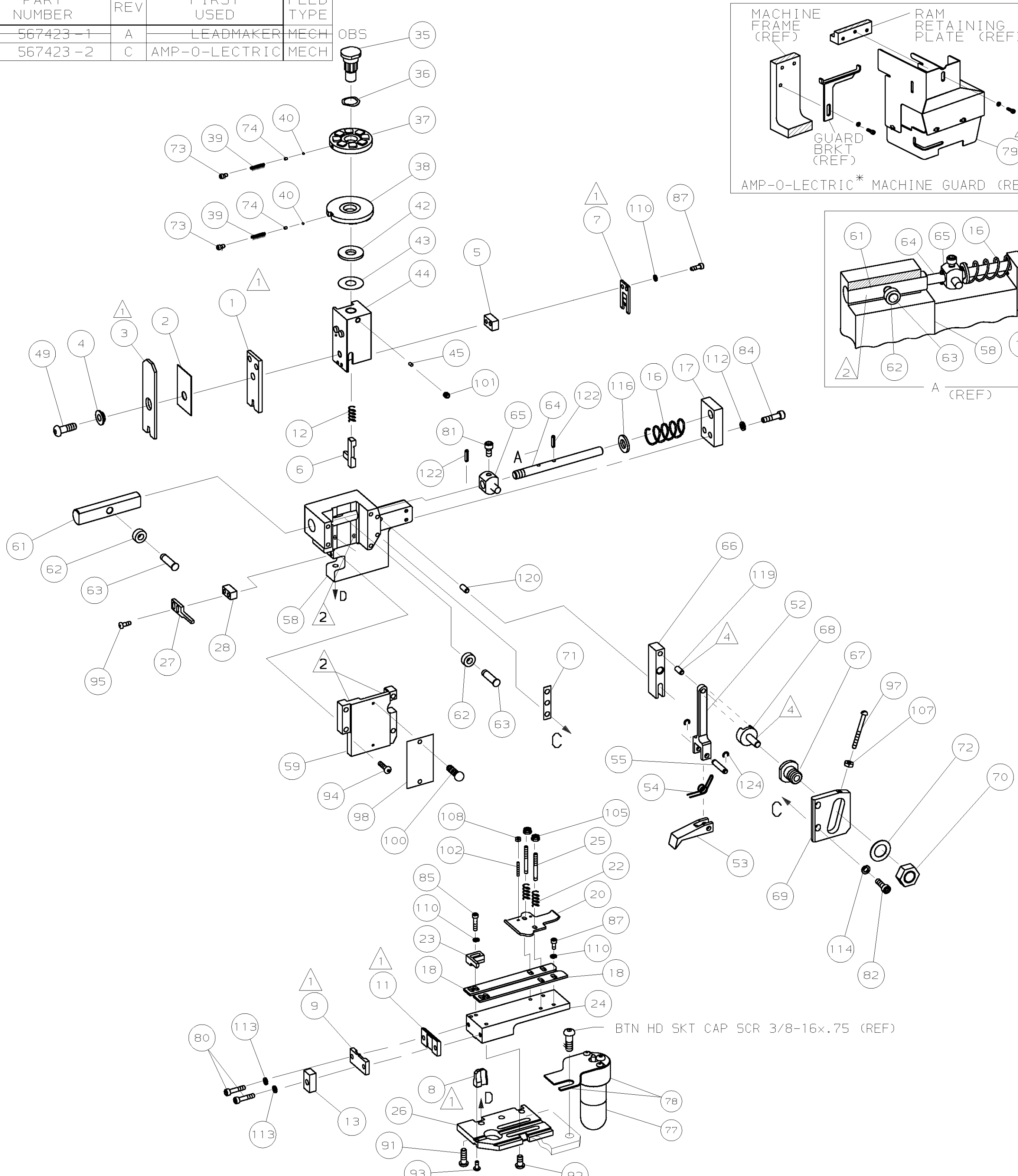
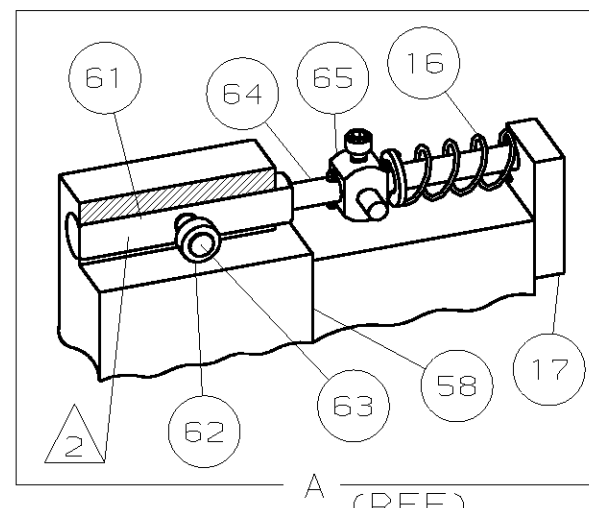
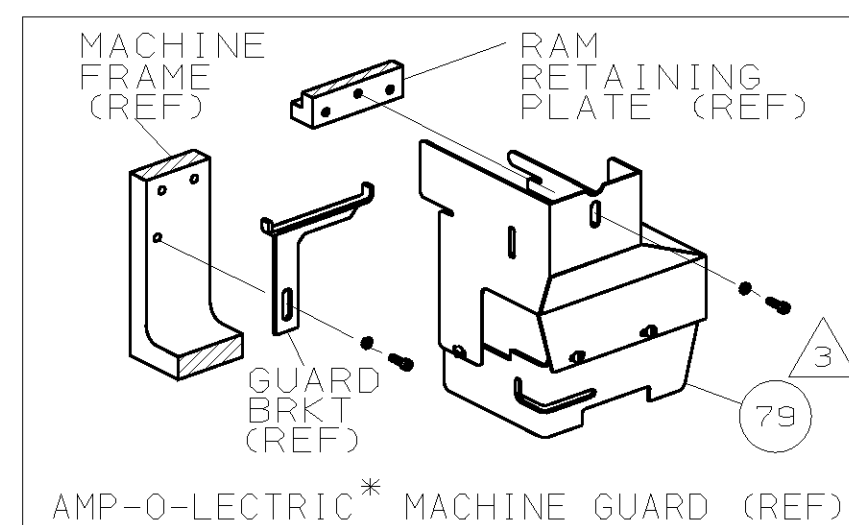


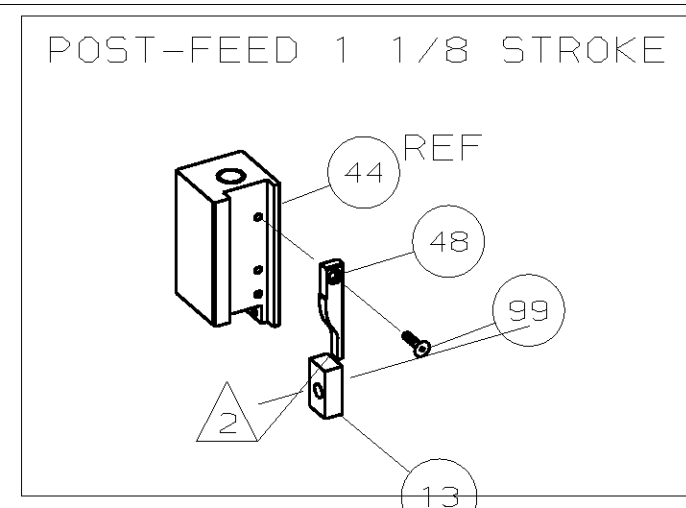
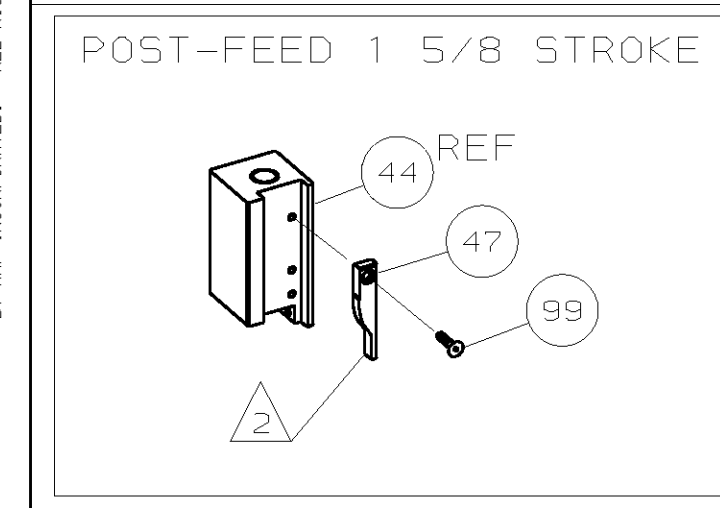
PART NUMBER	REV	FIRST USED	FEED TYPE
567423-1	A	LEADMAKER	MECH
567423-2	C	AMP-O-LECTRIC	MECH



- 1 RECOMMENDED SPARE PARTS.
- 2 GREASE LIGHTLY.
- 3 GUARD MUST BE IN PLACE WHEN OPERATING APPLICATOR IN AMP-O-LECTRIC MACHINE.
- 4 LUBRICATE DAILY USING NO. 20 MACHINE OIL.
5. ITEMS WITH QTY OF REF SPECIFIED (EXCEPT ITEM 79) ARE USED ON ITEM 32.

QTY	REV	REF	REF	REF	DESCRIPTION	ITEM NO
						130
						129
						128
						127
						126
						125
REF	REF	-	A	21045-3	RING, RET "C" (Ø.187) FD PIN	124
						123
REF	REF	-	A	5-21028-1	PIN, STD SPRING (Ø.12) FD ADJ ROD	122
						121
						120
REF	REF	-	A	1-21030-7	PIN, DOWEL (Ø.187x1.50) H5G	120
REF	REF	-	A	1-21030-1	PIN, DOWEL (Ø.187x.50) LEVER	119
						118
						117
REF	REF	-	A	21899-4	WASHER, FLAT (Ø5/16) SCR ADJ	116
						115
REF	REF	-	A	21024-5	WASHER, LOCK (NO.10) FD ADJ PL	114
2	2	-	A	21024-5	WASHER, LOCK (NO.10) SHEAR PL	113
REF	REF	-	A	21024-5	WASHER, LOCK (NO.10) FD ROD GDE	112
						111
7	7	-	A	21024-4	WASHER, LOCK (NO.8) SHEAR BL	110
						109
2	2	-	A	21018-4	NUT, HEX (4-40) DRAG	108
REF	REF	-	A	21018-5	NUT, HEX (6-32) FD ADJ PL	107
						106
2	2	-	A	21022-2	NUT, HEX 5L (8-32) DRAG STUD	105
						104
						103
2	2	-	A	4-21078-8	SKT SKT SET (4-40x.75) DRAG	102
1	1	-	A	21009-2	SCR, SKT SET (1/4-20x.25) RAM	101
2	2	-	A	21017-2	SCR, DRIVE (#2x.19) ID PLATE	100
1	1	-	A	1-21002-7	SCR, BHC (6-32x.38) CAM	99
1	1	-	B	461264-1	PLATE, IDENTIFICATION	98
REF	REF	-	A	6-23715-5	SCR, PAN HD (6-32x1.50) FEED ADJ	97
						96
2	2	-	A	2-21002-2	SCR, BHC (8-32x.50) STRIPPER	95
REF	REF	-	A	2-21002-9	SCR, BHC (10-32x.75) H5G CAP	94
1	1	-	A	22733-8	SCR, BHC (8-32x.38 LW) ANVIL	93
4	4	-	A	3-21002-3	SCR, BHC (1/4-20x.50) ST 6D PL	92
REF	REF	-	A	2-22733-8	SCR, BHC (1/4-20x.62) BASE PL	91
						90
						89
						88
5	5	-	A	2-21000-6	SCR, 5HC (8-32x.38) SLUG BLADE	87
						86
2	2	-	A	2-21000-8	SCR, 5HC (8-32x.62) R 5TP GUIDE	85
REF	REF	-	A	3-21000-7	SCR, SKT CAP (10-32x.75) FD GDE	84
						83
REF	REF	-	A	3-21000-6	SCR, SKT CAP (10-32x.62) FD ADJ P	82
REF	REF	-	A	3-21000-4	SCR, SKT CAP (10-32x.38) PIVOT BL	81
2	2	-	A	3-21000-8	SCR, SKT CAP (10-32x.88) 5H PL	80
REF	REF	-	A	455745-1	GUARD, WINDOW	79
1	1	-	C	465184-9	LUBRICATOR ASSY	78
REF	REF	-	B	852931-2	CRIMPER LUBRICANT	77
						76
						75
2	2	-	A	690603-1	SPRING, ASSIST	74
2	2	-	A	23030-1	SCR, SKT CAP (6-32x.25) CP DSC	73
REF	REF	-	A	458109-1	WASHER, FLAT (SPECIAL)	72
REF	REF	-	A	690517-1	SPACER	71

QTY	REV	REF	REF	REF	DESCRIPTION	ITEM NO
						70
						69
						68
						67
						66
						65
						64
						63
						62
						61
						60
						59
						58
						57
						56
						55
REF	REF	-	B	240624-1	PIN, FEED FINGER	55
REF	REF	-	B	691499-1	SPRING, FEED FINGER	54
REF	REF	-	B	240635-1	FINGER, FEED	53
REF	REF	-	B	240634-1	LEVER, TERMINAL	52
						51
						50
1	1	-	A	7-21002-9	BOLT, CRIMPER (5/16-24x1.00)	49
1	1	-	B	690501-3	CAM, POST-FEED 1 1/8 ST	48
-	-	-	B	690501-4	CAM, POST-FEED 1 5/8 ST	47
						46
1	1	-	A	690191-1	PLUG, NYLON	45
1	1	-	C	455674-1	RAM	44
1	1	-	A	690125-1	WASHER, LAMINATED	43
1	1	-	A	690124-1	WASHER, RAM	42
						41
2	2	-	A	23241-6	BALL, STEEL	40
2	2	-	A	690170-1	SPRING, COMPRESSION	39
1	1	-	C	690142-1	DISC, INSULATION	38
1	1	-	D	8-455829-6	DISC, WIRE	37
1	1	-	A	22480-5	WASHER, SPRING	36
1	1	-	B	690212-1	POST, RAM	35
						34
						33
1	1	-	D	458980-1	APPLICATOR, BASIC (SUB ASSY)	32
						31
						30
						29
1	1	-	B	2-690451-1	SPACER, STRIPPER	28
1	1	-	A	240639-2	STRIPPER	27
REF	REF	-	C	455676-1	PLATE, BASE	26
2	2	-	A	22354-8	DRAG, STUD	25
1	1	-	B	455678-1	PLATE, STRIP GUIDE	24
1	1	-	C	240825-4	PLATE, STRIP HOLD DOWN	23
2	2	-	A	4-22281-1	SPRING, DRAG	22
						21
1	1	-	A	454177-1	DRAG, STOCK	20
						19
2	2	-	C	454204-3	GUIDE, STRIP (FRONT)	18
REF	REF	-	A	454178-1	GUIDE, FEED ROD	17
REF	REF	-	A	4-22284-9	SPRING, FEED RETURN	16
						15
						14
1	1	-	A	690481-7	SPACER, HOLD DOWN	13
1	1	-	A	23846-1	SPRING, HOLD DOWN	12
1	1	-	B	240644-1	PLATE, REAR SHEAR	11
						10
1	1	-	B	690482-6	PLATE, FRONT SHEAR	9
1	1	-	D	6-683452-4	ANVIL	8
1	1	-	B	690474-6	BLADE, SLUG	7
1	1	-	D	2-455892-5	HOLD DOWN, TERMINAL	6
1	1	-	C	5-240641-2	SPACER, SLUG BLADE	5
1	1	-	B	238009-1	SPACER, BLOCK CRIMPER	4
1	1	-	C	1-456134-4	CRIMPER, INSULATION	3
1	1	-	B	2-455888-2	SPACER, CRIMPER	2
1	1	-	C	2-456406-9	CRIMPER, WIRE	1



LEADMAKER
T TERMINATING UNIT

AMP-O-LECTRIC
K TERMINATING UNIT
MACHINE NO. 565435-5

CRIMPING DATA				
PAD LTR	CRIMP HEIGHT	WIRE SIZE	WIRE LENGTH	
A	.047	18	.137-.177	
B	.044	20	.137-.177	
C	.039	22	.137-.177	
NOT USED				
CRIMP	SIZE	TYPE	FEED	APPL INST
WIRE	.090	F	.774	AI 8039
INSUL	.140	F		

TERMINAL NAME: REC CONTACT FOR IGNITION PLUG	
175135-1	

REV	DATE	DESCRIPTION
C	0150-0340-03	TE 3-03
B	0150-7169-96	CE 9-96
A1	085-1,0150-6785-96	EB 5-96

DIMENSIONS IN INCHES. DO NOT SCALE PRINT. TOLERANCES UNLESS OTHERWISE SPECIFIED:		MATERIAL		FINISH	
DR	7/12/91	HT	TR	FIN	
3 PLG DEC ±		REL			
4 PLG DEC ±					
ANGLES ±					
SURF TEXTURE: ✓					
REMOVE BURRS, BREAK SHARP EDGES R.015 MAX					
NAME: END FEED HDM APPLICATOR		MACHINE REF: MINI APPL		APPL: C	
SCALE: NT5	DWG NO: 567423	SHEET: 1 OF 1		REV: C	