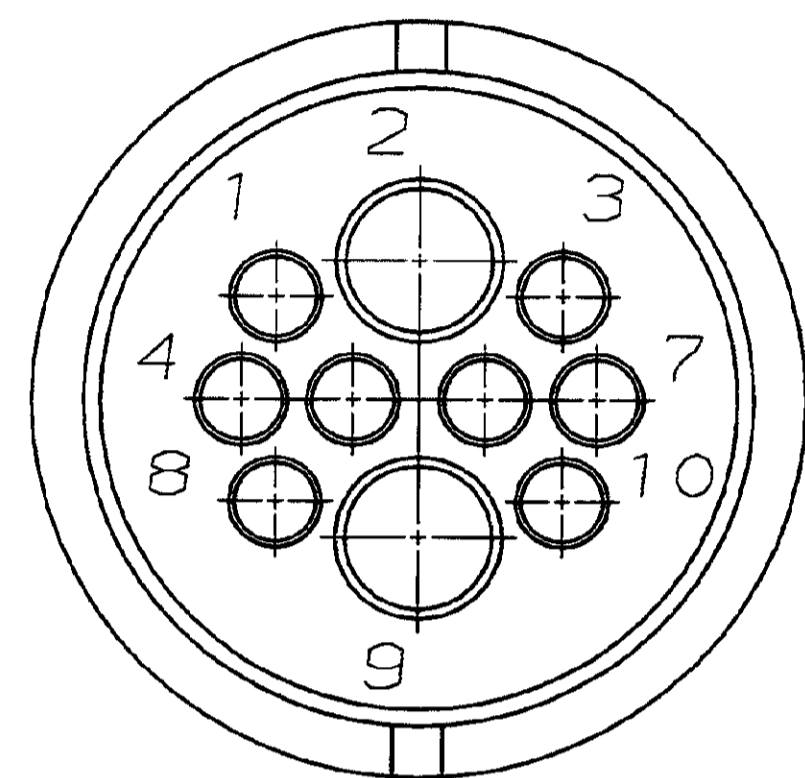
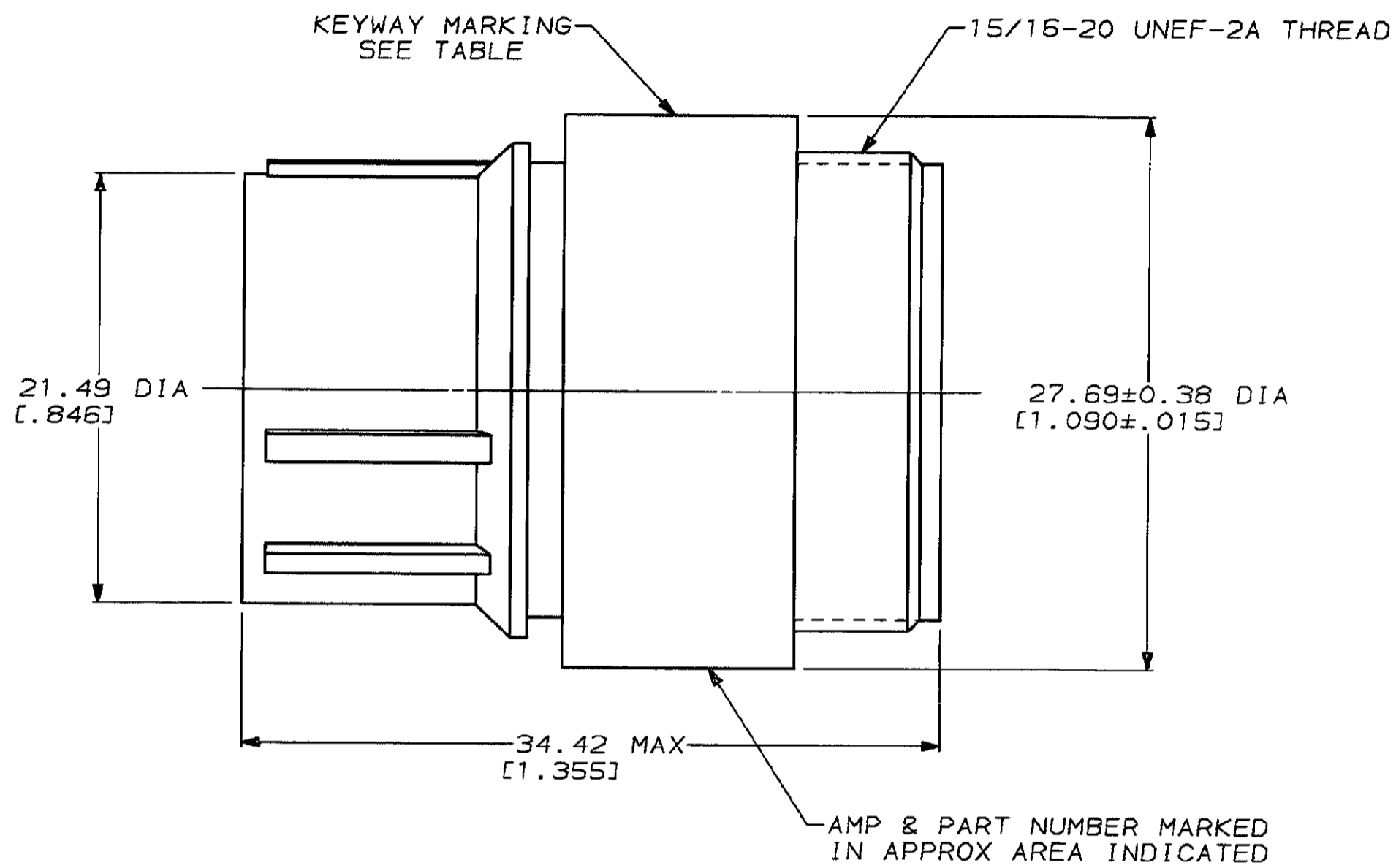


| MOD | LOC | DIST | P | F | ZONE | LTR | DESCRIPTION                  | DATE     | APPD |
|-----|-----|------|---|---|------|-----|------------------------------|----------|------|
| 4   | BD  | 35   |   |   |      |     | 0 RELEASED -3 NPR 2564       | 11/03/89 | -    |
|     |     |      |   |   |      |     | A OBSOLETE -2 EC 0020-271-93 | 08/03/93 | AF   |



- THIS PLUG WILL ACCEPT 2 TYPE 1, SIZE 12 PIN CONTACTS AND 8 MULTIMATE PIN CONTACTS.
  - MAXIMUM WIRE INSULATION ACCEPTED BY THIS PLUG IS 2.67[.105] DIAMETER FOR MULTIMATE PIN CONTACTS.
- 3 WHITE STRIPE INDICATES MAJOR KEYWAY.  
4 WHITE DOT INDICATES MAJOR KEYWAY.

|          |   |          |
|----------|---|----------|
| OBSOLETE | <span style="border: 1px solid black; padding: 2px;">4</span> | 213130-3 |
|          | <span style="border: 1px solid black; padding: 2px;">3</span> | 213130-2 |
|          | -   | 213130-1 |
|          | KEYWAY MARKING  | PART NO  |

|  |  |  |  |   |                    |
|--|--|--|--|---|--------------------|
| DO NOT SCALE PRINT. UNLESS SPECIFIED DIMENSIONS IN mm [INCHES] TOLERANCES ON:<br>2 PLC DEC ± 0.13 [0.005]<br>3 PLC DEC ± -<br>ANGLES ± - |  | DR 11/03/89 S.WELDON<br>CHK 11-8-89 R.STONE<br>APPD 11-8-89 M.KAPEZYNSKI |  | <b>AMP</b> AMP INCORPORATED<br>Harrisburg, Pa. 17105                  |                    |
| MATERIAL<br>UL 94V-0 RATED, NYLON BLACK  |  | APPD 11-8-89 G.J.SACUNAS<br>PRODUCT SPEC -                               |  | NAME<br>PLUG, CPC, ARRANGEMENT 17-10M, REVERSE SEX, SERIES 4, CLASS A |                    |
| FINISH<br>-  |  | APPLICATION SPEC<br>-  |  | SIZE<br><b>C</b>  | CAGE CODE<br>00779 |
|  |  | WEIGHT<br>-  |  | DRAWING NO<br>213130  | SCALE<br>4:1       |
|  |  |  |  | SHEET<br>1 OF 1   |                    |