


| DIALIGHT PART NO. | LED COLOR          | OPERATING VOLTAGE (SEE TABLE) | REFER TO FIGURE | HOUSING COLOR | PIECE/PART MARKING | REV          | ECN NO       | REVISIONS   | DRN | CKD | APP | QA | CM | DATE |  |  |  |
|-------------------|--------------------|-------------------------------|-----------------|---------------|--------------------|--------------|--------------|-------------|-----|-----|-----|----|----|------|--|--|--|
|                   |                    |                               |                 |               |                    | A            | —            | NEW RELEASE | BP  |     |     |    |    |      |  |  |  |
| 679-1112-321F     | HIGH BRIGHT RED    | 6VDC                          | 1               | CHROME        | DIALIGHT 6V        |              |              |             |     |     |     |    |    |      |  |  |  |
| 679-1115-321F     | HIGH BRIGHT RED    | 6VDC                          | 2               |               |                    |              |              |             |     |     |     |    |    |      |  |  |  |
| 679-1212-322F     | HIGH BRIGHT GREEN  | 6VDC                          | 1               |               |                    |              |              |             |     |     |     |    |    |      |  |  |  |
| 679-1215-322F     | HIGH BRIGHT GREEN  | 6VDC                          | 2               |               |                    |              |              |             |     |     |     |    |    |      |  |  |  |
| 679-1312-323F     | HIGH BRIGHT ORANGE | 6VDC                          | 1               |               |                    |              |              |             |     |     |     |    |    |      |  |  |  |
| 679-1315-323F     | HIGH BRIGHT ORANGE | 6VDC                          | 2               |               |                    |              |              |             |     |     |     |    |    |      |  |  |  |
| 679-1412-324F     | HIGH BRIGHT BLUE   | 6VDC                          | 1               |               |                    |              |              |             |     |     |     |    |    |      |  |  |  |
| 679-1415-324F     | HIGH BRIGHT BLUE   | 6VDC                          | 2               |               |                    |              |              |             |     |     |     |    |    |      |  |  |  |
| 679-1112-331F     | HIGH BRIGHT RED    | 12VDC                         | 1               |               |                    |              | DIALIGHT 12V |             |     |     |     |    |    |      |  |  |  |
| 679-1115-331F     | HIGH BRIGHT RED    | 12VDC                         | 2               |               |                    |              |              |             |     |     |     |    |    |      |  |  |  |
| 679-1212-332F     | HIGH BRIGHT GREEN  | 12VDC                         | 1               |               |                    |              |              |             |     |     |     |    |    |      |  |  |  |
| 679-1215-332F     | HIGH BRIGHT GREEN  | 12VDC                         | 2               |               |                    |              |              |             |     |     |     |    |    |      |  |  |  |
| 679-1312-333F     | HIGH BRIGHT ORANGE | 12VDC                         | 1               |               |                    |              |              |             |     |     |     |    |    |      |  |  |  |
| 679-1315-333F     | HIGH BRIGHT ORANGE | 12VDC                         | 2               |               |                    |              |              |             |     |     |     |    |    |      |  |  |  |
| 679-1412-334F     | HIGH BRIGHT BLUE   | 12VDC                         | 1               |               |                    |              |              |             |     |     |     |    |    |      |  |  |  |
| 679-1415-334F     | HIGH BRIGHT BLUE   | 12VDC                         | 2               |               |                    |              |              |             |     |     |     |    |    |      |  |  |  |
| 679-1112-341F     | HIGH BRIGHT RED    | 24VDC                         | 1               |               |                    | DIALIGHT 24V |              |             |     |     |     |    |    |      |  |  |  |
| 679-1115-341F     | HIGH BRIGHT RED    | 24VDC                         | 2               |               |                    |              |              |             |     |     |     |    |    |      |  |  |  |
| 679-1212-342F     | HIGH BRIGHT GREEN  | 24VDC                         | 1               |               |                    |              |              |             |     |     |     |    |    |      |  |  |  |
| 679-1215-342F     | HIGH BRIGHT GREEN  | 24VDC                         | 2               |               |                    |              |              |             |     |     |     |    |    |      |  |  |  |
| 679-1312-343F     | HIGH BRIGHT ORANGE | 24VDC                         | 1               |               |                    |              |              |             |     |     |     |    |    |      |  |  |  |
| 679-1315-343F     | HIGH BRIGHT ORANGE | 24VDC                         | 2               |               |                    |              |              |             |     |     |     |    |    |      |  |  |  |
| 679-1412-344F     | HIGH BRIGHT BLUE   | 24VDC                         | 1               |               |                    |              |              |             |     |     |     |    |    |      |  |  |  |
| 679-1415-344F     | HIGH BRIGHT BLUE   | 24VDC                         | 2               |               |                    |              |              |             |     |     |     |    |    |      |  |  |  |
| 679-1122-321F     | HIGH BRIGHT RED    | 6VDC                          | 1               | BLACK         | DIALIGHT 6V        |              |              |             |     |     |     |    |    |      |  |  |  |
| 679-1125-321F     | HIGH BRIGHT RED    | 6VDC                          | 2               |               |                    |              |              |             |     |     |     |    |    |      |  |  |  |
| 679-1222-322F     | HIGH BRIGHT GREEN  | 6VDC                          | 1               |               |                    |              |              |             |     |     |     |    |    |      |  |  |  |
| 679-1225-322F     | HIGH BRIGHT GREEN  | 6VDC                          | 2               |               |                    |              |              |             |     |     |     |    |    |      |  |  |  |
| 679-1322-323F     | HIGH BRIGHT ORANGE | 6VDC                          | 1               |               |                    |              |              |             |     |     |     |    |    |      |  |  |  |
| 679-1325-323F     | HIGH BRIGHT ORANGE | 6VDC                          | 2               |               |                    |              |              |             |     |     |     |    |    |      |  |  |  |
| 679-1422-324F     | HIGH BRIGHT BLUE   | 6VDC                          | 1               |               |                    |              |              |             |     |     |     |    |    |      |  |  |  |
| 679-1425-324F     | HIGH BRIGHT BLUE   | 6VDC                          | 2               |               |                    |              |              |             |     |     |     |    |    |      |  |  |  |
| 679-1122-331F     | HIGH BRIGHT RED    | 12VDC                         | 1               |               |                    |              | DIALIGHT 12V |             |     |     |     |    |    |      |  |  |  |
| 679-1125-331F     | HIGH BRIGHT RED    | 12VDC                         | 2               |               |                    |              |              |             |     |     |     |    |    |      |  |  |  |
| 679-1222-332F     | HIGH BRIGHT GREEN  | 12VDC                         | 1               |               |                    |              |              |             |     |     |     |    |    |      |  |  |  |
| 679-1225-332F     | HIGH BRIGHT GREEN  | 12VDC                         | 2               |               |                    |              |              |             |     |     |     |    |    |      |  |  |  |
| 679-1322-333F     | HIGH BRIGHT ORANGE | 12VDC                         | 1               |               |                    |              |              |             |     |     |     |    |    |      |  |  |  |
| 679-1325-333F     | HIGH BRIGHT ORANGE | 12VDC                         | 2               |               |                    |              |              |             |     |     |     |    |    |      |  |  |  |
| 679-1422-334F     | HIGH BRIGHT BLUE   | 12VDC                         | 1               |               |                    |              |              |             |     |     |     |    |    |      |  |  |  |
| 679-1425-334F     | HIGH BRIGHT BLUE   | 12VDC                         | 2               |               |                    |              |              |             |     |     |     |    |    |      |  |  |  |
| 679-1122-341F     | HIGH BRIGHT RED    | 24VDC                         | 1               |               |                    | DIALIGHT 24V |              |             |     |     |     |    |    |      |  |  |  |
| 679-1125-341F     | HIGH BRIGHT RED    | 24VDC                         | 2               |               |                    |              |              |             |     |     |     |    |    |      |  |  |  |
| 679-1222-342F     | HIGH BRIGHT GREEN  | 24VDC                         | 1               |               |                    |              |              |             |     |     |     |    |    |      |  |  |  |
| 679-1225-342F     | HIGH BRIGHT GREEN  | 24VDC                         | 2               |               |                    |              |              |             |     |     |     |    |    |      |  |  |  |
| 679-1322-343F     | HIGH BRIGHT ORANGE | 24VDC                         | 1               |               |                    |              |              |             |     |     |     |    |    |      |  |  |  |
| 679-1325-343F     | HIGH BRIGHT ORANGE | 24VDC                         | 2               |               |                    |              |              |             |     |     |     |    |    |      |  |  |  |
| 679-1422-344F     | HIGH BRIGHT BLUE   | 24VDC                         | 1               |               |                    |              |              |             |     |     |     |    |    |      |  |  |  |
| 679-1425-344F     | HIGH BRIGHT BLUE   | 24VDC                         | 2               |               |                    |              |              |             |     |     |     |    |    |      |  |  |  |

NOTES:  
1, MOUNTING HOLE SIZE: 0.368" (9.35 MM)  
2, MAX PANEL THICKNESS: 0.318" (8 MM)  
3, MATERIALS:  
3.1, METAL HOUSING: BRASS, CHROME PLATED BLACK PAINT COATING.  
3.2, MOUNTING HEX NUT: BRASS, NICKEL PLATED.  
3.3, SPLIT LOCK WASHER: STEEL, UNI-CHROME PLATED.  
3.4, HEADER/INSULATOR: POLYCARBONATE, COLOR: BLACK  
4, SOLDERABILITY: PER ANSI/IPC-S-805, METHOD A.  
5, RECOMENDED MOUNTING TORQUE: 0.362 LBS/FT (5 KG/CM)

**RoHS COMPLIANT C18283**

Part Numbers with the "F" suffix ending are RoHS Compliant. Packaging is marked with "RoHS Compliant" label or equivalent markings. Parts can be wave soldered, dip soldered or hand soldered using typical lead-free soldering process with max 260°C temp. for 5 sec.

|   |  |          |
|---|--|----------|
| THIS DRAWING AND THE CONTENTS HEREIN ARE CONFIDENTIAL AND THE SOLE PROPERTY OF DIALIGHT. REPRODUCTION OF THIS DRAWING OR CONSTRUCTION OF ANY PARTS WITHIN THIS DRAWING ARE FORBIDDEN WITHOUT THE WRITTEN CONSENT OF DIALIGHT. |  |          |
| SCALE: 3.000<br>ALL DIM'S IN: INCHES (MM)   | DRAWING NUMBER<br>C-18283  | REV<br>A |
| TOLERANCES:<br>UNLESS OTHERWISE SPECIFIED<br>FRACTIONS: ±1/64<br>DECIMALS (.XX): ±.01<br>DECIMALS (.XXX): ±.005<br>DECIMALS (.XXXX): ±.0005<br>ANGLES: ±1°  | TITLE<br>9mm HIGH BRIGHT LED PMI   |          |
| FINISH:<br>-  | MATERIAL<br>-  |          |
| FSCM 83330  |  1501 ROUTE 34 SOUTH<br>FARMINGDALE, NJ 07727 |          |
| SHEET 1 OF 2 FAMILY TABLE:  |  |          |

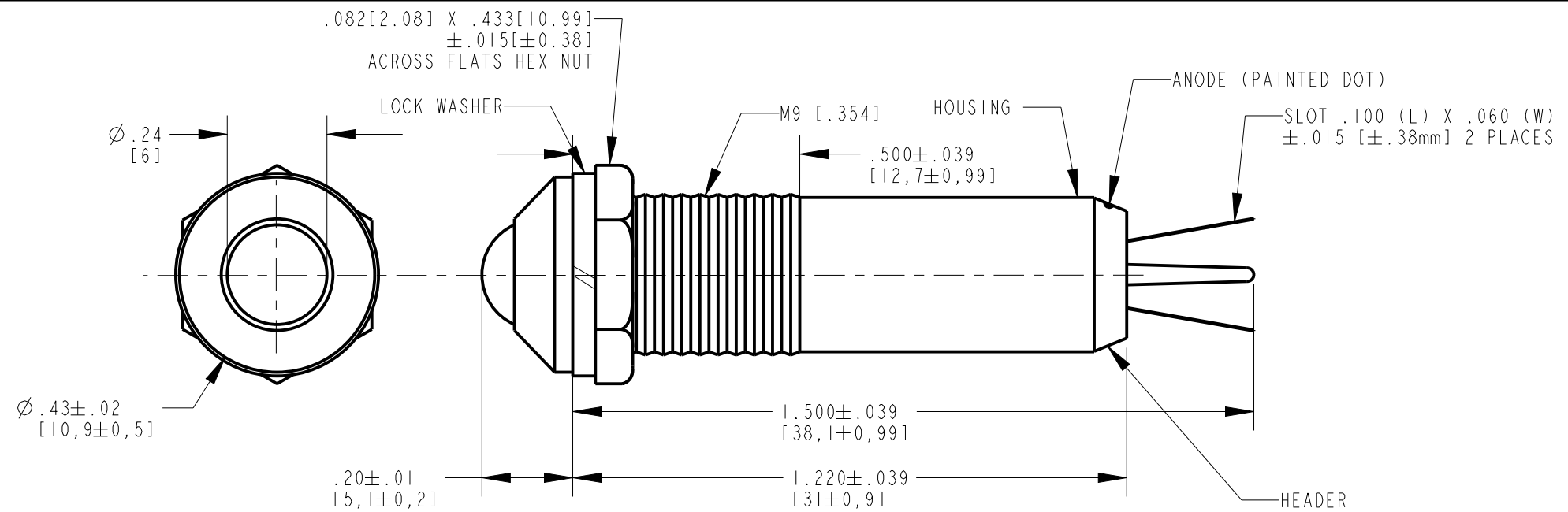


FIGURE 1

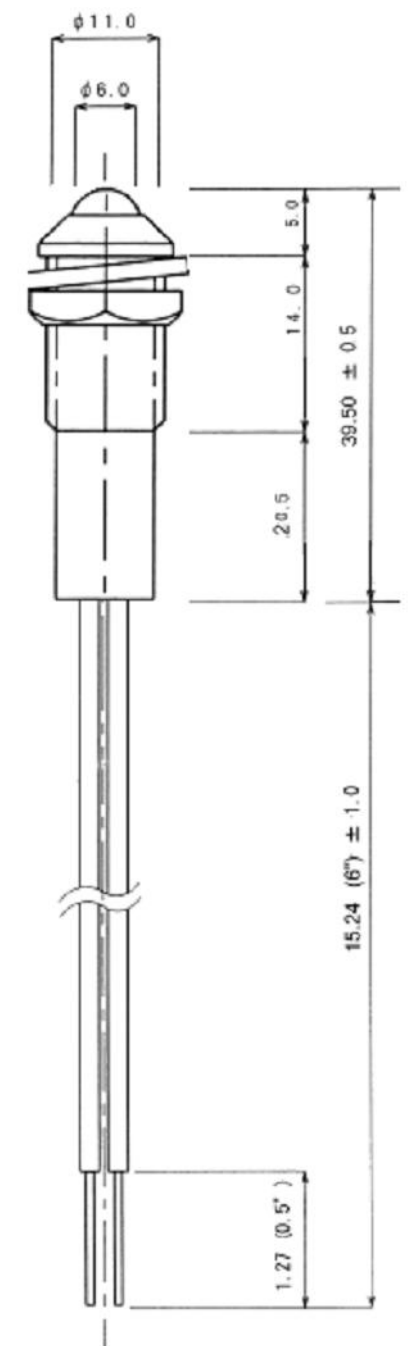


FIGURE 2

LED Specifications

| Color  | Absolute Maximum Ratings |                        |                           |                           |                         | IF : 20mA Electro-Optical Characteristics |                        |                             |                     |                        |                     |
|--------|--------------------------|------------------------|---------------------------|---------------------------|-------------------------|---|------------------------|-----------------------------|---------------------|------------------------|---------------------|
|        | Forward Current IF (mA)  | Reverse Voltage VR (V) | Power Dissipation PD (mW) | Operating Temp. Topr (°C) | Storage Temp. Tstg (°C) | Forward Voltage VF (V)                    | Reverse Current IR(μA) | Luminous Intensity Iv (mcd) | Wave Length λ d(nm) | LineHalf-width Δλ (nm) | Angle (Ref.) 2θ 1/2 |
| Red    | 30                       | 10                     | 72                        | -30 ~ +85                 | -40 ~ +100              | 2.05                                      | 10                     | 2100                        | 624                 | 20                     | 30                  |
| Green  | 30                       | 7                      | 108                       | -30 ~ +85                 | -40 ~ +100              | 3.3                                       | 10                     | 25000                       | 525                 | 30                     | 30                  |
| Orange | 30                       | 10                     | 72                        | -30 ~ +85                 | -40 ~ +100              | 2.05                                      | 10                     | 2000                        | 605                 | 17                     | 30                  |
| Blue   | 30                       | 7                      | 108                       | -30 ~ +85                 | -40 ~ +100              | 3.3                                       | 10                     | 5400                        | 470                 | 22                     | 30                  |
| White  | 30                       | 7                      | 105                       | -30 ~ +85                 | -40 ~ +100              | 3.1                                       | 5                      | 17000                       | **x = 0.32, y=0.32  |                        | 30                  |

THIS DRAWING AND THE CONTENTS HEREIN ARE CONFIDENTIAL AND THE SOLE PROPERTY OF DIALIGHT. REPRODUCTION OF THIS DRAWING OR CONSTRUCTION OF ANY PARTS WITHIN THIS DRAWING ARE FORBIDDEN WITHOUT THE WRITTEN CONSENT OF DIALIGHT.

SCALE: 3.000  
ALL DIM'S IN: INCHES (MM)

TOLERANCES:  
UNLESS OTHERWISE SPECIFIED  
FRACTIONS: ±1/64  
DECIMALS (.XX): ±.02  
DECIMALS (.XXX): ±.015

ANGLES: ±3°  
FINISH:

DRAWING NUMBER: C-18283  
REV: A

TITLE: 9mm HIGH BRIGHT LED PMI

MATERIAL:

**Dialight** 1501 ROUTE 34 SOUTH FARMINGDALE, NJ 07727

FSCM 83330  
SHEET 2 OF 2 FAMILY TABLE: