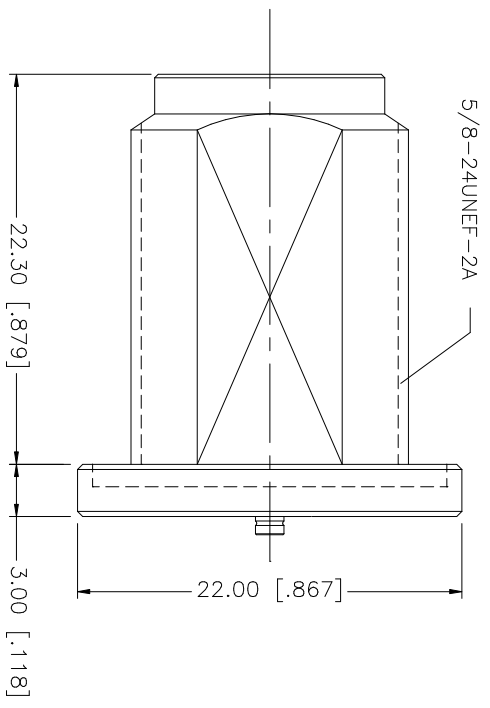
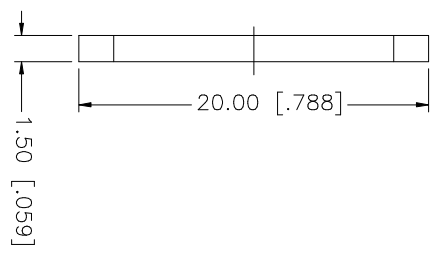
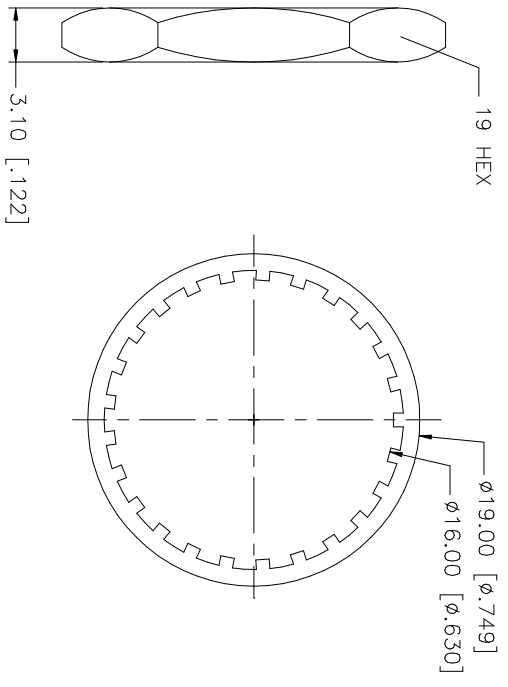
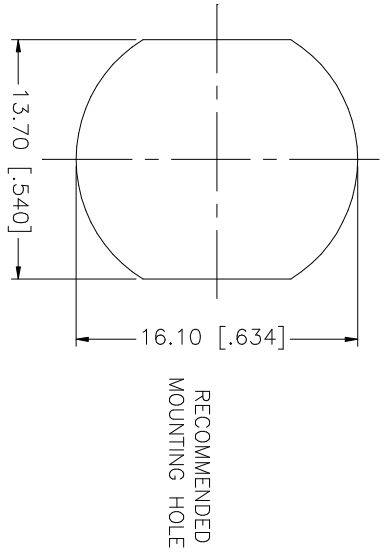


REV.	DATE	DESCRIPTION
NC	12/18/04	INITIAL RELEASE
A	04/05/06	ADD NOTE 1



NOTE:
1. MAX. VSWR 1.4:1 UP TO 6ghz

QTY	DESCRIPTION	MATERIAL	FINISH	QTY	DO NOT SCALE DRAWING	APPROVALS	DATE	PART DESCRIPTION
1	HEX NUT	BRASS	NICKEL	1		DRAWN	04/05/06	Amphenol Connex AMC JACK TO N BULKHEAD JACK 242216
1	LOCK WASHER	BRASS	NICKEL	1		CHECKED		
1	GASKET	SILICONE	RED	1		ISSUED		
1	CONTACT PIN	BER. COPPER	GOLD	1		SHEET	1 OF 1	
1	INSULATOR BODY	TEFLON BRASS	NATURAL NICKEL	1				

UNLESS OTHERWISE SPECIFIED, DIMENSIONS ARE IN MILLIMETERS. DIMENSIONS IN INCHES ARE IN INCHES AND FOR CUSTOMER REFERENCE ONLY.

UNLESS OTHERWISE SPECIFIED, TOLERANCES FOR MILLIMETERS ARE:
 0.5 - 8mm ± 0.20mm
 8 - 30mm ± 0.40mm
 30 - 120mm ± 0.50mm

UNLESS OTHERWISE SPECIFIED, TOLERANCES FOR INCHES ARE:
 .020 - .315 = ± 0.007"
 .315 - 1.180 = ± 0.015"
 1.180 - 4.724 = ± 0.020"

CAD FILE	APPROVALS	DATE
C:/242/242216.DWG	G.R.S.	04/05/06

DWG. NO.	REV.	SIZE	SCALE
242216.DWG	A	A	NA