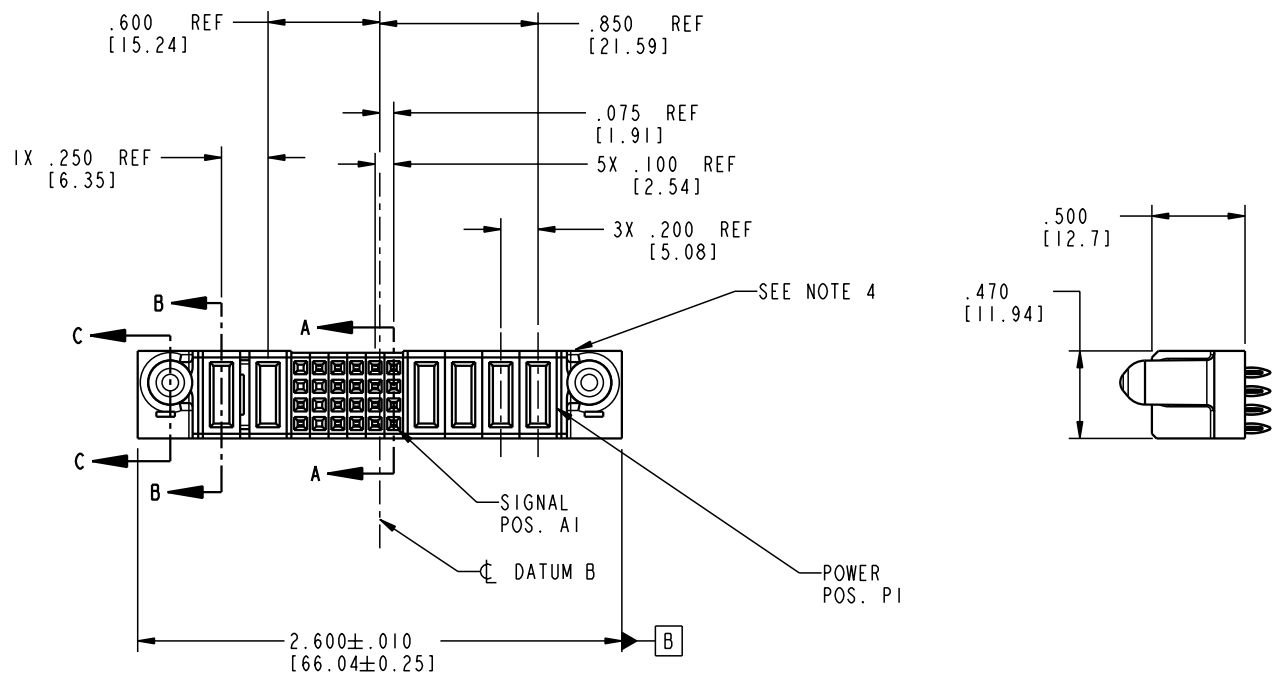


Tous droits strictement reserves. Reproduction ou communication a des tiers interdite sous quelque forme que ce soit sans autorisation ecrite du proprietaire. Propriete de c FCI. Droits de reproduction FCI.

All rights strictly reserved. Reproduction or issue to third parties in any form whatever is not permitted without written authority from the proprietor. Property of FCI. Copyright FCI.



PRODUCT NO.	ROWS	POWER		SIGNAL						POWER			E1				
		E2	P6	P5	6	5	4	3	2	1	P4	P3		P2	P1		
51940-029	D C B A		PC	PF	X	F	F	F	F	F	F	F	F	F	F	F	



CODE	DIM "M" MATING LENGTH	CONTACT TYPE
F	N/A [N/A]	SIGNAL
PC	.042 [1.07]	POWER
PF	.092 [2.34]	POWER

mat'l code		SEE NOTE 2		tolerances unless otherwise specified		CUSTOMER		FCI		www.fciconnect.com	
lfr	ecn no.	dr	date	linear	XX±.01/0.X±0.3	COPY		projection		title	
A	V03-0058	TAB	01/13/03	angles	.XXX±.005/0.XX±0.13	A				4P + 24S + 2P	
					.XXX±.0020/0.XXX±0.051	INCH/MM		product family		PwrBlade	
				dr	0°±2°	scale		size		code	
				enr	T. BRUNGARD 01/13/03	1:1		A		213	
				chr	M. MOSTOLLER 01/13/03			51940-029		sheet	
				appd	M. MOSTOLLER 01/13/03					1 of 4	
sheet index	revision	A	A	A	A						
	sheet	1	2	3	4						

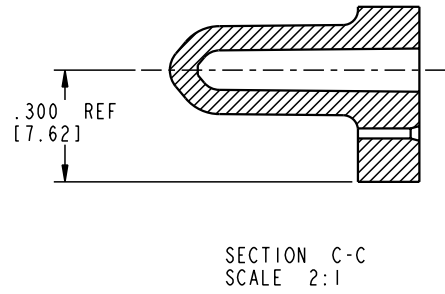
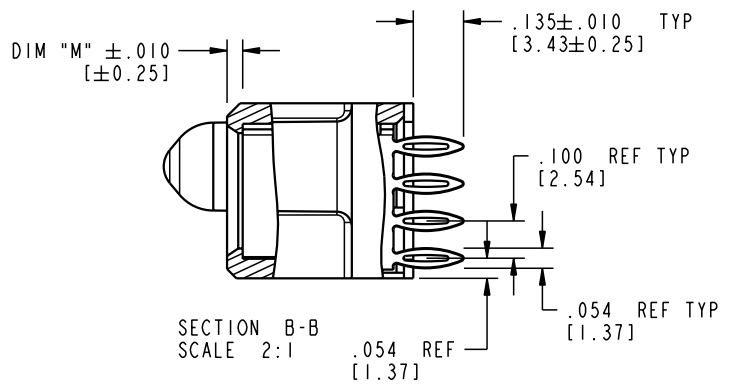
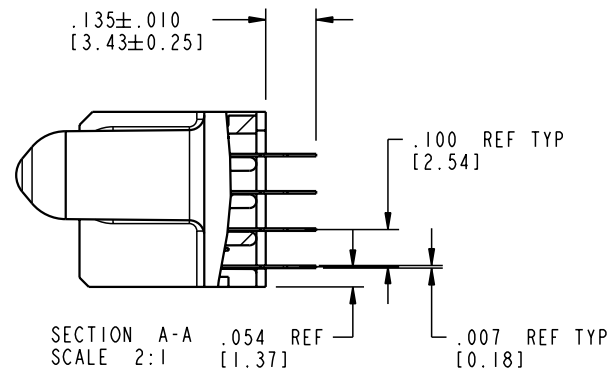
cage code 22526

Pro/E

Tous droits strictement reserves. Reproduction ou communication a des tiers interdite sous quelque forme que ce soit sans autorisation ecrite du proprietaire. Propriete de c FCI. Droits de reproduction FCI.

All rights strictly reserved. Reproduction or issue to third parties in any form whatever is not permitted without written authority from the proprietor. Property of FCI. Copyright FCI.

PRODUCT NUMBER
51940-029



mat'l code		SEE NOTE 2		tolerances unless otherwise specified		CUSTOMER		 www.fciconnect.com	
lfr	ecn no.	dr	date	linear	XX±.01/0.X±0.3	projection	title		
A				angles	.XXX±.005/0.XX±0.13	 INCH/MM	4P + 24S + 2P		
				dr	.XXX±.0020/0.XXX±0.051		VERTICAL PRESS FIT RECEIPT		
				enr	0°±2°	scale	product family	PwrBlade	code
				chr	T. BRUNGARD 01/13/03	1:1	size	dwg no	213
				appd	M. MOSTOLLER 01/13/03		A	51940-029	sheet
sheet index	revision sheet								2 of 4

cage code 22526

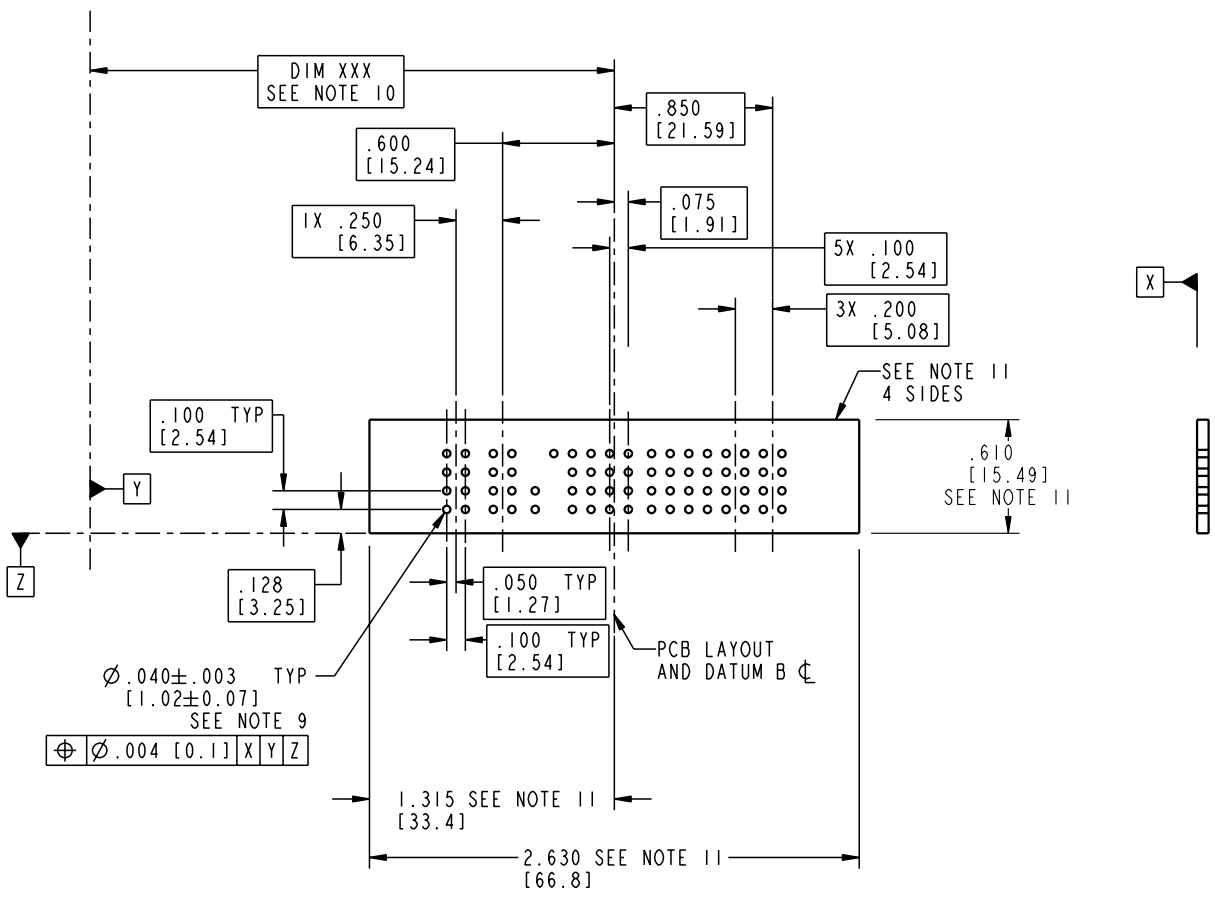
Pro/E

Tous droits strictement reserves. Reproduction ou communication a des tiers interdite sous quelque forme que ce soit sans autorisation ecrite du proprietaire. Propriete de c FCI. Droits de reproduction FCI.

FCI

All rights strictly reserved. Reproduction or issue to third parties in any form whatever is not permitted without written authority from the proprietor. Property of FCI. Copyright FCI.

PRODUCT NUMBER
51940-029



mat'l code		SEE NOTE 2		tolerances unless otherwise specified		CUSTOMER		FCI www.fciconnect.com	
lfr	ecn no.	dr	date	linear	XX±.01/0.X±0.3	projection	title		
A				angles	.XXX±.005/0.XX±0.13		4P + 24S + 2P		
				dr	.XXX±.0020/0.XXX±0.051		VERTICAL PRESS FIT RECEPT		
				enr	0°±2°	INCH/MM	product family		code
				chr	T. BRUNGARD 01/13/03	scale	PwrBlade		213
				appd	M. MOSTOLLER 01/13/03	1:1	size		sheet
					M. MOSTOLLER 01/13/03		A 51940-029		3 of 4
sheet index	revision								
	sheet								

cage code **22526**

Pro/E

Tous droits strictement reserves. Reproduction ou communication a des tiers interdite sous quelque forme que ce soit sans autorisation écrite du propriétaire. Propriete de c FCI. Droits de reproduction FCI.



All rights strictly reserved. Reproduction or issue to third parties in any form whatever is not permitted without written authority from the proprietor. Property of FCI. Copyright FCI.

1 | 2

3 |

4

PRODUCT NUMBER
51940-029

NOTES:

1. DIMENSIONS AND TOLERANCES ARE IN ACCORDANCE WITH ASME Y14.5M, 1994 UNLESS OTHERWISE SPECIFIED.

CONNECTOR NOTES:

- 2 HOUSING MATERIAL: UL 94 V-0 GLASS FILLED
HIGH-TEMP THERMOPLASTIC
POWER CONTACT MATERIAL: COPPER ALLOY
SIGNAL PIN MATERIAL: COPPER ALLOY
- 3. PLATING:
SIGNAL PINS: 30u"/0.76um Au OVER 50u"/1.27um Ni
POWER CONTACTS: 50u"/1.27um Ni UNDER ALL WITH 30u"/0.76um Au ON CONTACT AREA AND SnPb ON PCB INTERFACE
- 4 MANUFACTURER'S NAME, P/N, AND DATE CODE TO APPEAR ON THIS SURFACE.
- 5. PRODUCT SPECIFICATION GS-12-149.
APPLICATION SPECIFICATION BUS-20-067.
- 6. PACKAGED IN TRAYS.
PCB NOTES:
- 7. ALL HOLE DIAMETERS ARE FINISHED HOLE SIZE.
- 8 MOUNTING HOLES, WHERE APPLICABLE, ARE UNPLATED.
- 9 $\varnothing .0453 \pm .0010$ [1.151 \pm 0.025] DRILLED HOLES PLATED WITH .0003 [0.008] MIN SnPb OVER .001 [0.03] TO .003 [0.08] Cu PLATING TO ACHIEVE $\varnothing .040 \pm .003$ [1.02 \pm .07] HOLE.
- 10 "DIM XXX" TO BE DETERMINED BY THE CUSTOMER.
- 11 CONNECTOR KEEP-OUT ZONE.

mat'l code		SEE NOTE 2		tolerances unless otherwise specified		CUSTOMER		www.fciconnect.com			
lfr	ecn no.	dr	date	linear	$.XX \pm .01 / 0.X \pm 0.3$ $.XXX \pm .005 / 0.XX \pm 0.13$ $.XXXX \pm .0020 / 0.XXX \pm 0.051$	projection			title	4P + 24S + 2P	
A				angles	$0^{\circ} \pm 2^{\circ}$		INCH/MM		VERTICAL PRESS FIT RECEPT		
		dr	T. BRUNGARD	01/13/03		scale	1:1	product family	PwrBlade	code	213
		enrg	M. MOSTOLLER	01/13/03				size	dwg no	sheet	4 of 4
		chr	M. MOSTOLLER	01/13/03				A	51940-029		
		appd	M. MOSTOLLER	01/13/03							
sheet index	revision sheet										

1 | 2

Pro/E

3 |

coge code 22526

4