

MATERIAL (INSULATOR/CONTACT)

E = BLACK, PBT/PHOSPHOR BRONZE

OPERATING TEMP: -65°C TO +125°C

PROCESSING TEMP: 260°C FOR 10 SECS MAX

R = BLACK, PPS/PHOSPHOR BRONZE

OPERATING TEMP: -65°C TO +125°C

PROCESSING TEMP: 260°C FOR 120 SECS MAX

G = BLACK, PA9T/PHOSPHOR BRONZE

OPERATING TEMP: -65°C TO +125°C

PROCESSING TEMP: 260°C FOR 120 SECS MAX

PART NUMBER CODING

M **DWW**

NUMBER OF POSITIONS

PLATING

ALL PLATING ARE LEAD FREE AND HAVE .000050" NICKEL UNDERPLATE

CONTACT SURFACE	TERMINATION
B = .000010" GOLD	.000100" PURE TIN, MATTE
C = .000030" GOLD	.000100" PURE TIN, MATTE
M = .000030" GOLD	.000010" GOLD OVERALL

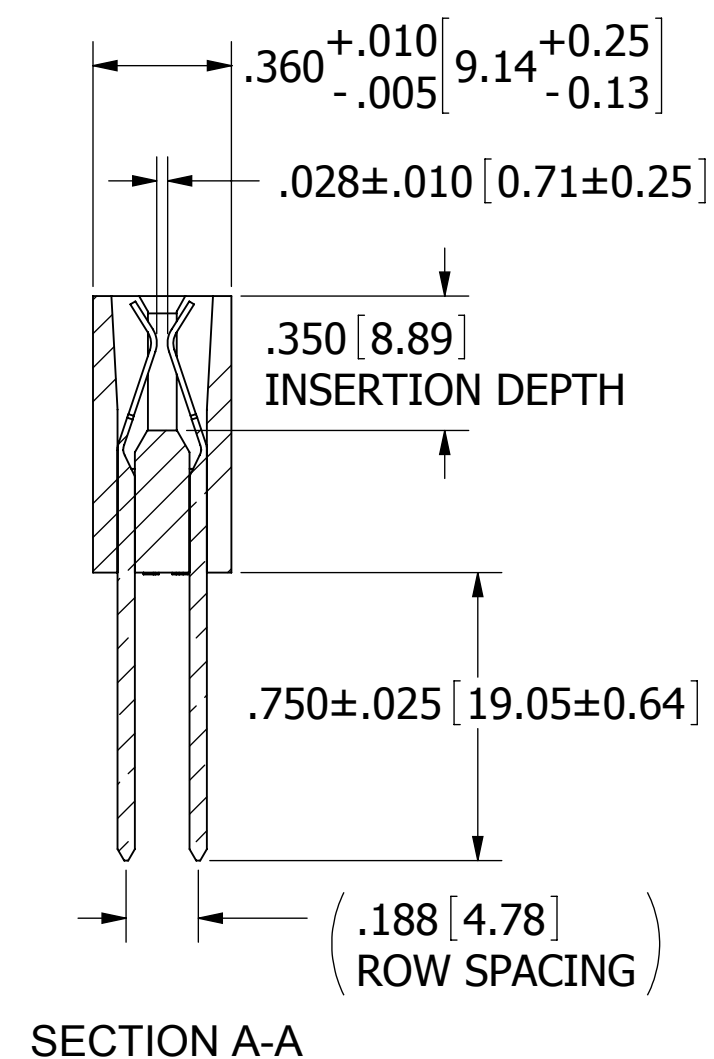
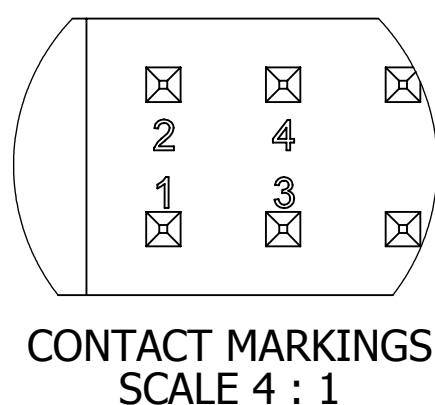
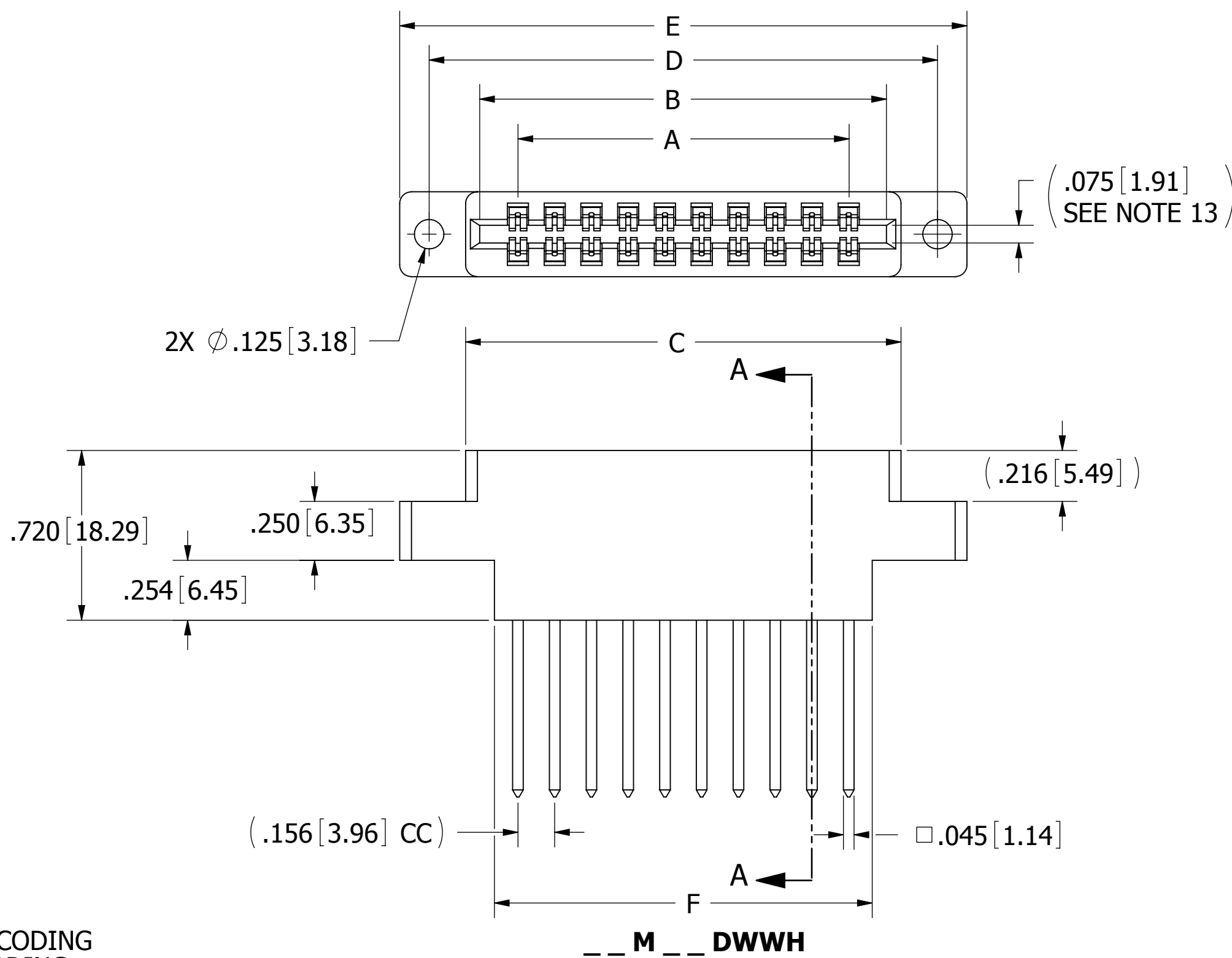
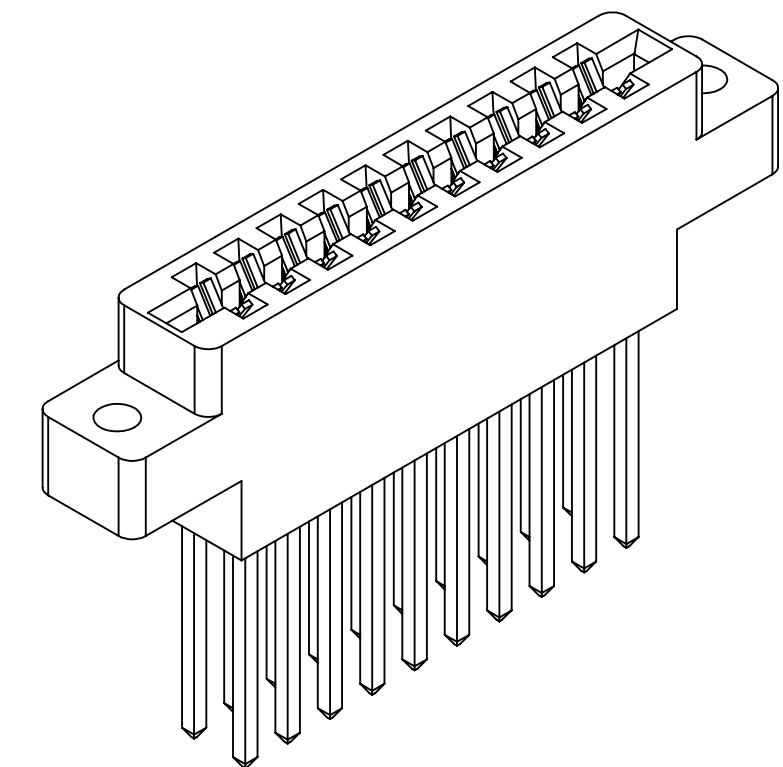
MOUNTING STYLE

H = .125" DIA. CLEARANCE HOLES

I = #4-40 THREADED INSERT (PAGE 2)

N = NO MOUNTING EARS (PAGE 2)

REVISIONS				
REV.	ECO. NO	DESCRIPTION	DATE	BY
B	2064	UPDATE NOTES 8 & 9	10/27/09	JH
C	2115	UPDATE PLATING OPTONS & BOM (INSULATOR DWG# 10035 WAS 10556), ADD MTL OPTIONS	3/5/2010	JH
D	2189	ADD NOTE 16	10/13/2010	JH
E	2491	UPDATE NOTE FORMAT, INSERTION FORCE TO 8 OZ MAX, ADD CONTACT GAP DIM, INSULATOR WIDTH TOLERANCE	11/7/2011	JH



NOTES:

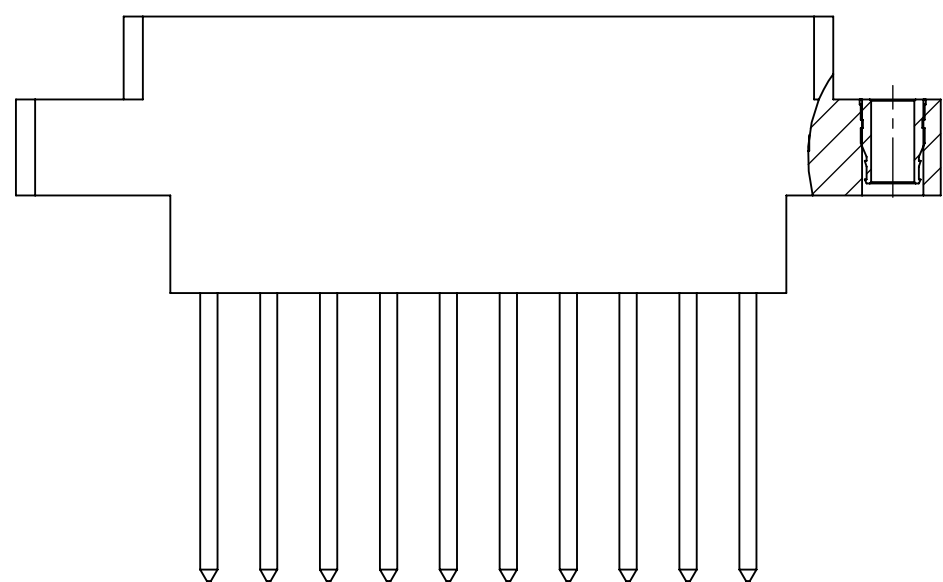
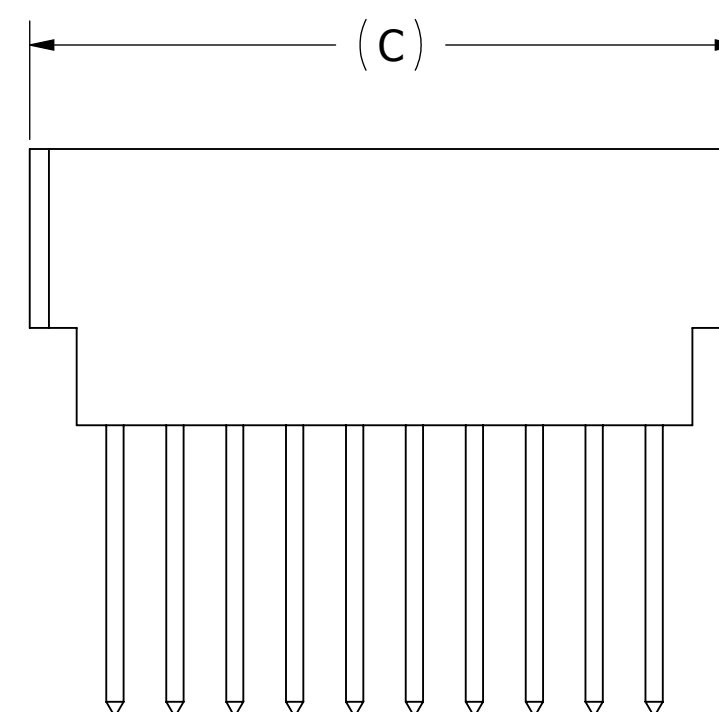
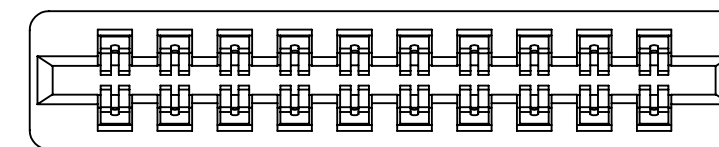
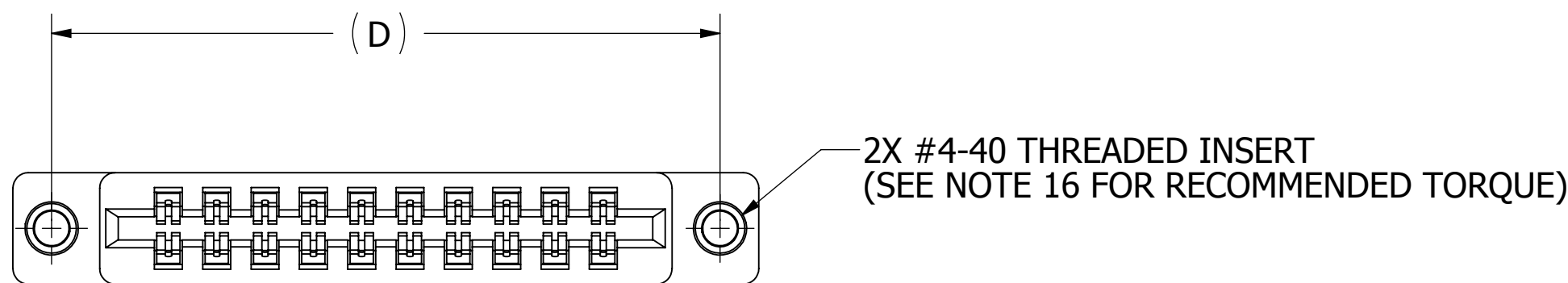
- INSULATOR MATERIAL: SEE PART NUMBER CODING
- CONTACT MATERIAL: SEE PART NUMBER CODING
- PLATING: SEE PART NUMBER CODING
- OPERATING TEMPERATURE: SEE PART NUMBER CODING
- PROCESSING TEMP: SEE PART NUMBER CODING
- UL FLAMMABILITY RATING: 94V-0
- DIELECTRIC WITHSTANDING VOLTAGE: 950 VAC MINIMUM AT SEA LEVEL
- CURRENT RATING: 5 AMP PER CONTACT
- CONTACT RESISTANCE: 30 MILLI OHMS MAX
- INSULATION RESISTANCE: 5000 MEGA OHMS
- DURABILITY: 500 CYCLES MIN
- CONNECTOR IDENTIFICATION: THE PART SHALL BE MARKED WITH A PART NUMBER AND LOT CODE
- BOARD THICKNESS ACCOMMODATED: .062 ± .008 [1.57 ± 0.20]
- INSERTION FORCE: 8 OZ MAX PER CONTACT PAIR WHEN USING A .062 [1.57] TEST BLADE
- WITHDRAWAL FORCE: 1 OZ MIN PER CONTACT PAIR USING .062 [1.57] PCB
- THREADED INSERT: RECOMMENDED ROTATIONAL TORQUE 4 IN-LBS, SEE DWG# 11545 FOR DESIGN GUIDE LINE.



CUSTOMER COPY

UNLESS OTHERWISE SPECIFIED: DIMENSIONS ARE IN INCHES [MM]		DRAWN	DATE	NAME		
			11/7/2011	JH		
TOLERANCES:					<small>THE INFORMATION HEREIN CONTAINS PROPRIETARY INFORMATION OF SULLINS ELECTRONICS AND IS NOT TO BE REPRODUCED, USED OR DISCLOSED TO OTHERS FOR ANY PURPOSE EXCEPT AS SPECIFICALLY AUTHORIZED IN WRITING BY AN OFFICER OF SULLINS ELECTRONICS.</small>	
ANGULAR: ± 1°					TITLE EDGECARD CONNECTOR	
DECIMALS .XX = ± .02 [.5] .XXX = ± .005 [.13] .XXXX = ± .0005 [.013]					PART NUMBER _ _ M _ _ DWW _	
SCALE: 2:1		SIZE C	CAGE CODE 54453	DWG. NO. C10555	REV E	
					SHEET 1 OF 2	

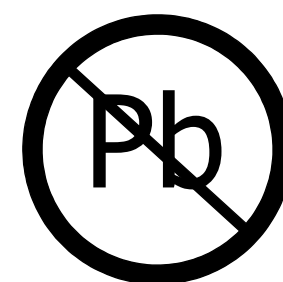
PART NO.	NO. OF POS	A ±.008[0.20]		B ±.008[0.20]		C ±.015[0.38]		D ±.010[0.25]		E ±.020[0.51]		F ±.015[0.38]	
		IN	MM	IN	MM	IN	MM	IN	MM	IN	MM	IN	MM
M06DWW	6	0.780	19.81	1.100	27.94	1.224	31.09	1.534	38.96	1.784	45.314	0.980	24.89
M10DWW	10	1.404	35.66	1.724	43.79	1.848	46.94	2.158	54.81	2.408	61.163	1.604	40.74
M12DWW	12	1.716	43.59	2.036	51.71	2.160	54.86	2.470	62.74	2.720	69.088	1.916	48.67
M15DWW	15	2.184	55.47	2.504	63.60	2.628	66.75	2.938	74.63	3.188	80.975	2.384	60.55
M18DWW	18	2.652	67.36	2.972	75.49	3.096	78.64	3.406	86.51	3.656	92.862	2.852	72.44
M22DWW	22	3.276	83.21	3.596	91.34	3.720	94.49	4.030	102.36	4.280	108.712	3.476	88.29
M25DWW	25	3.744	95.10	4.064	103.23	4.188	106.38	4.498	114.25	4.748	120.599	3.944	100.18
M28DWW	28	4.212	106.98	4.532	115.11	4.656	118.26	4.966	126.14	5.216	132.486	4.412	112.06
M30DWW	30	4.524	114.91	4.844	123.04	4.968	126.19	5.278	134.06	5.528	140.411	4.724	119.99
M31DWW	31	4.680	118.87	5.000	127.00	5.124	130.15	5.434	138.02	5.684	144.374	4.880	123.95
M36DWW	36	5.460	138.68	5.780	146.81	5.904	149.96	6.214	157.84	6.464	164.186	5.660	143.76
M43DWW	43	6.552	166.42	6.872	174.55	6.996	177.70	7.306	185.57	7.556	191.922	6.752	171.50
M50DWW	50	7.644	194.16	7.964	202.29	8.088	205.44	8.398	213.31	8.648	219.659	7.844	199.24



__ M __ DWWI

__ M __ DWWN

CUSTOMER COPY



RoHS COMPLIANT

UNLESS OTHERWISE SPECIFIED: DIMENSIONS ARE IN INCHES [MM]	DRAWN	DATE	NAME	
		11/7/2011	JH	
TOLERANCES: ANGULAR: ± 1° DECIMALS .XX=± .02 [.5] .XXX=± .005 [.13] .XXXX=± .0005 [.013]	<small>THE INFORMATION HEREIN CONTAINS PROPRIETARY INFORMATION OF SULLINS ELECTRONICS AND IS NOT TO BE REPRODUCED, USED OR DISCLOSED TO OTHERS FOR ANY PURPOSE EXCEPT AS SPECIFICALLY AUTHORIZED IN WRITING BY AN OFFICER OF SULLINS ELECTRONICS.</small>			TITLE
				EDGE CARD CONNECTOR
PART NUMBER				__ M __ DWW _
SIZE	CAGE CODE	DWG. NO.	REV	
C	54453	C10555	E	
SCALE: 2:1		SHEET 2 OF 2		