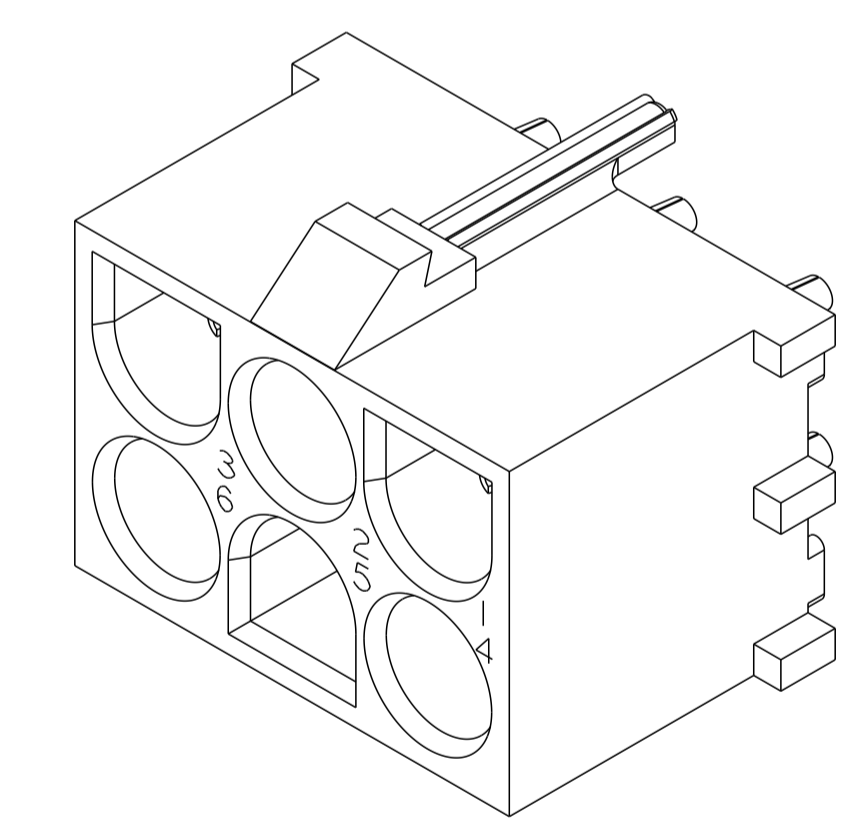
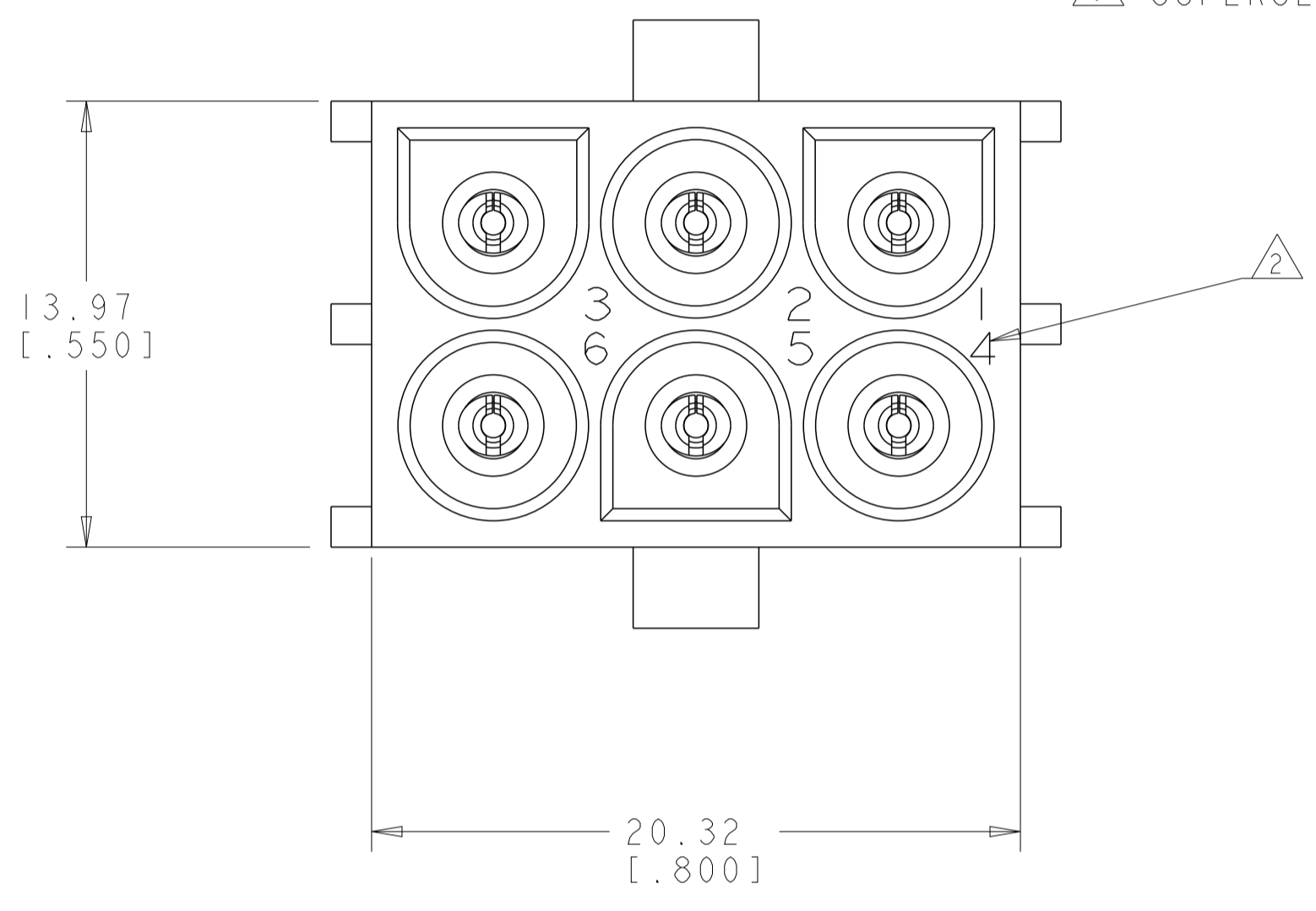
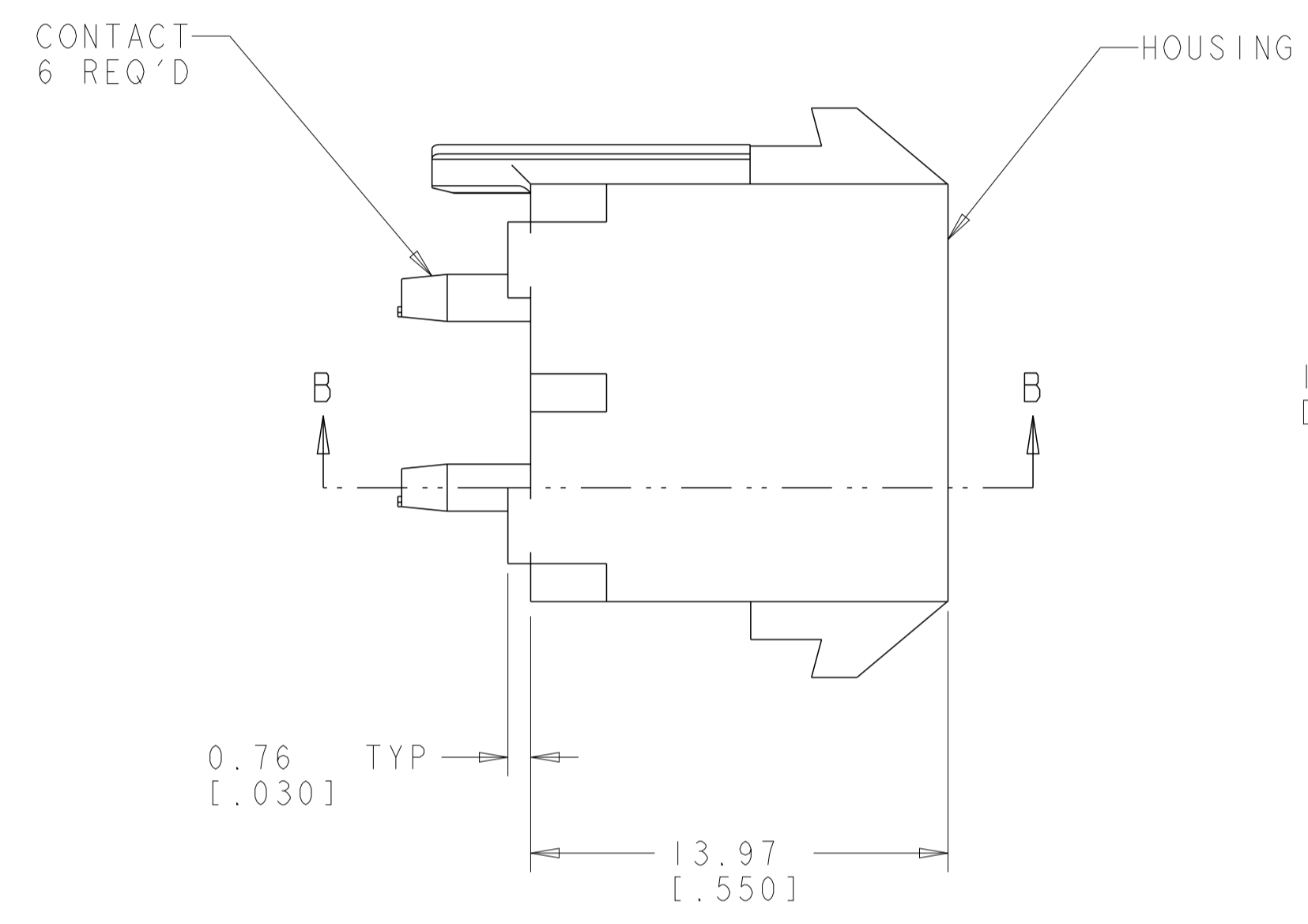
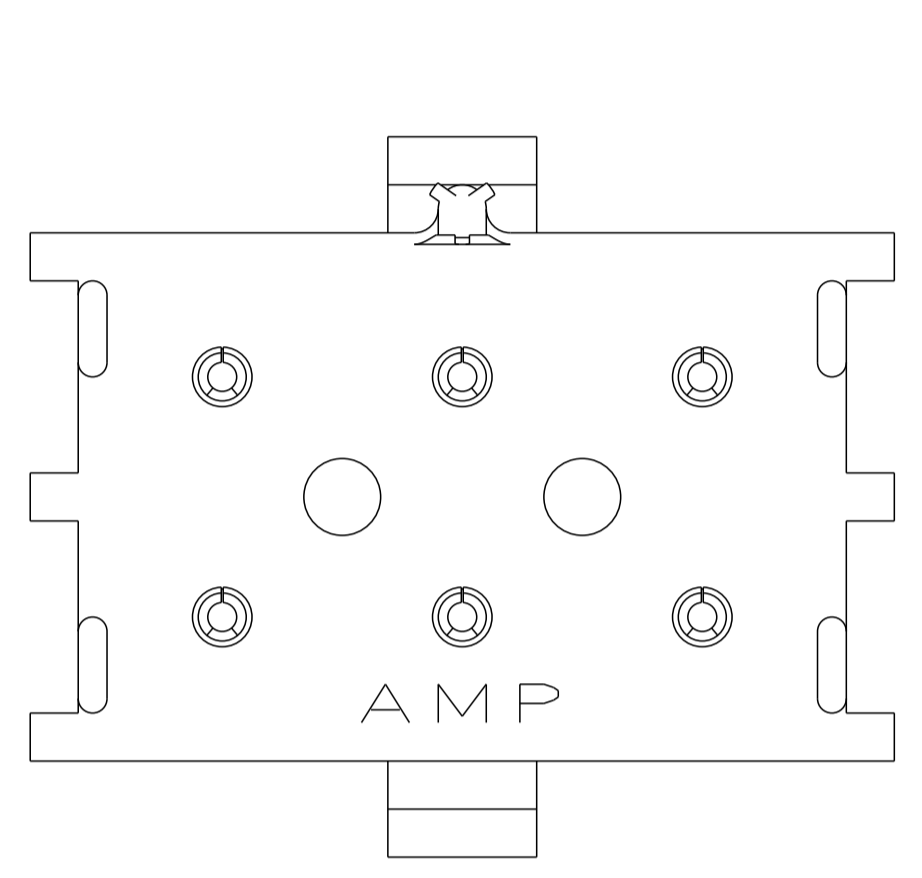
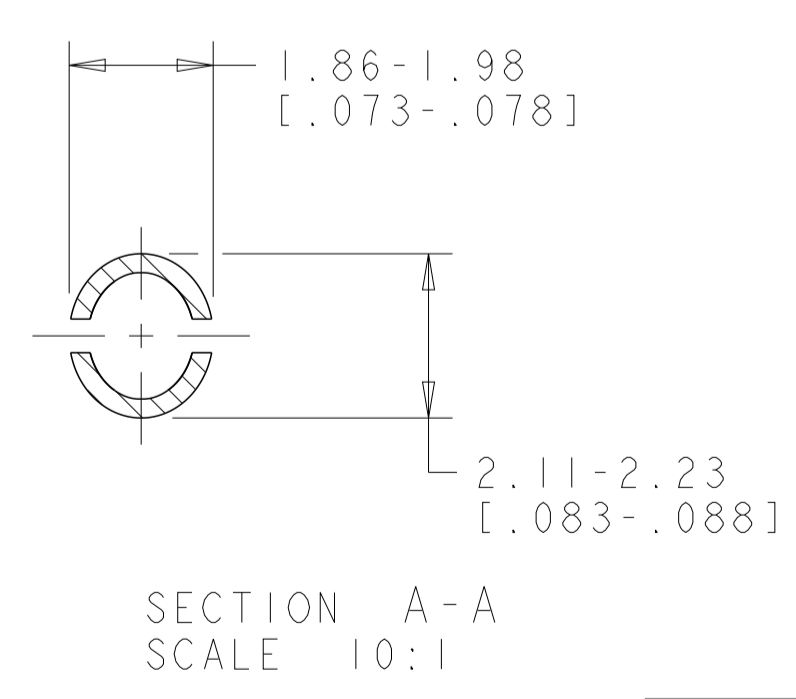
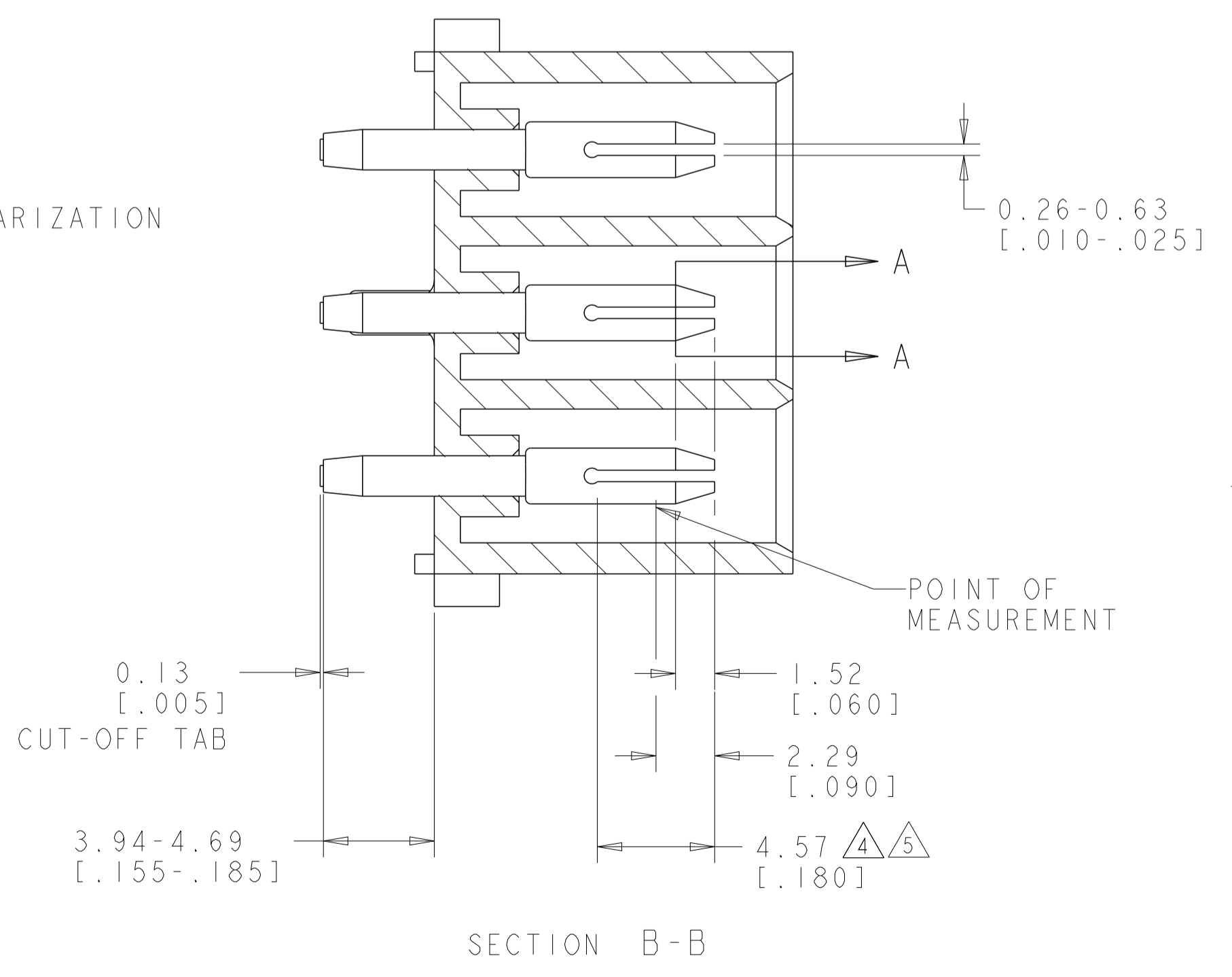
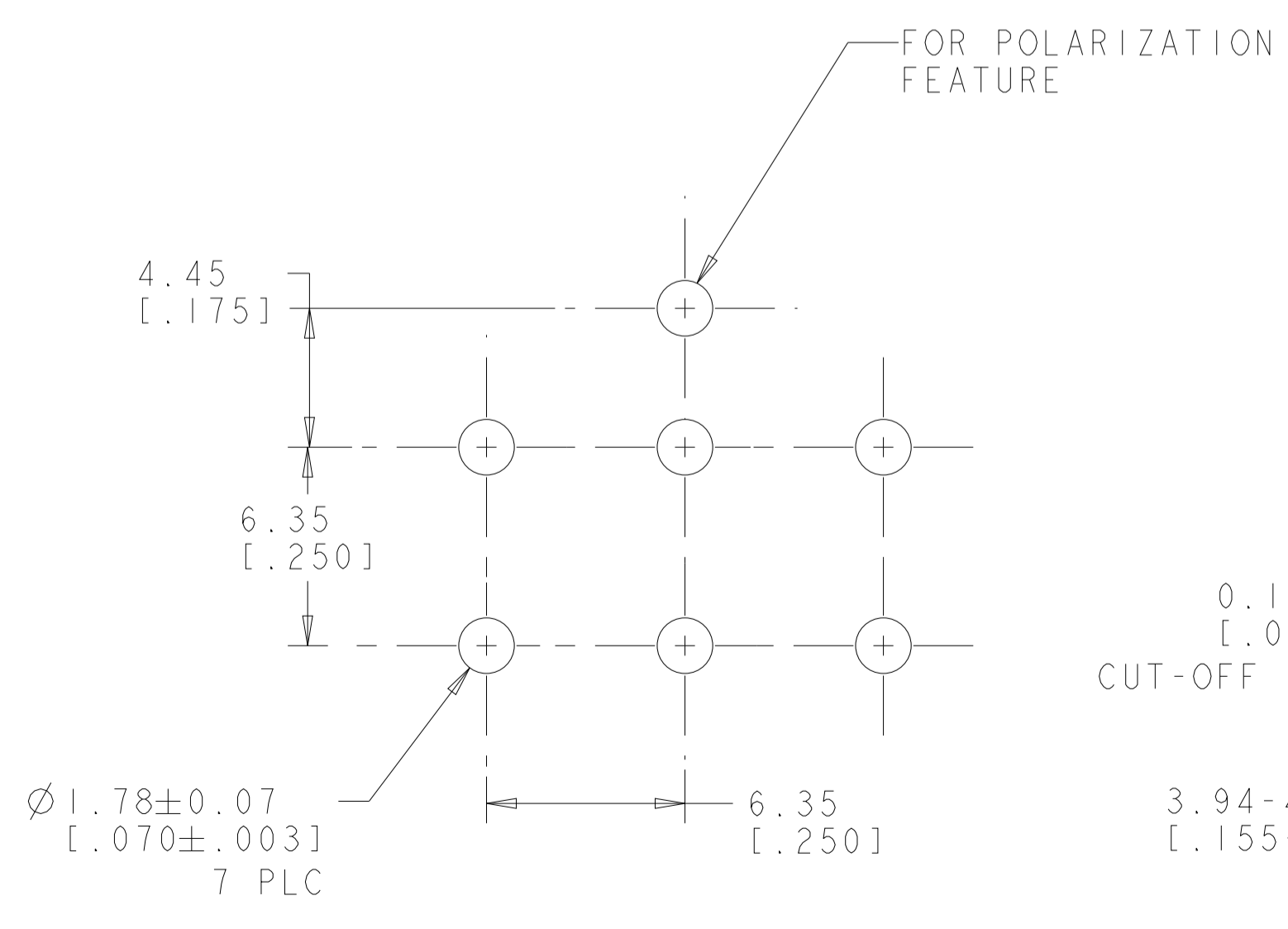


LOC		DIST		REVISIONS			
CM	00	P	LTN	DESCRIPTION	DATE	DWN	APVD
		A1		REVISED PER ECR-12-011660	24JAN2013	KH	TM

- PARTS COMPLY TO AMP SOLDERABILITY SPECIFICATION 109-11-3.
- CIRCUIT IDENTIFICATION CHARACTERS ARE ADJACENT TO THE INDICATED CAVITIES, BUT LOCATION AND ORIENTATION MAY DIFFER FROM PRINT.
- DIMENSIONS IN BRACKETS ARE IN INCHES.
- CONTACT IS PLATED OVERALL WITH 0.00127 [0.00050] NICKEL, THEN 0.00076 [0.00030] GOLD OVER CONTACT LENGTH INDICATED AND MATTE TIN LEAD ON SOLDER TAIL END.
- CONTACT IS PLATED OVERALL WITH 0.00127 [0.00050] NICKEL, THEN 0.00076 [0.00030] GOLD OVER CONTACT LENGTH INDICATED AND MATTE TIN ON SOLDER TAIL END.
- SUPERSEDED BY 1586090-3

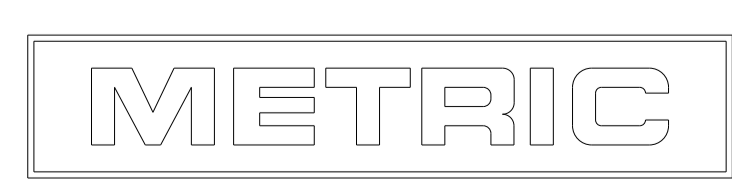


3 DIMENSIONAL MODEL
SCALE 4:1



SECTION A-A
SCALE 10:1

PHOSPOR BRONZE, GOLD	NYLON, UL94V-2, NATURAL	1586090-3
PHOSPOR BRONZE, GOLD	NYLON, UL94V-2, NATURAL	1586090-2
PHOSPOR BRONZE, PRE-TIN	NYLON, UL94V-2, NATURAL	1586090-1
PIN CONTACT MATERIAL AND FINISH	HOUSING MATERIAL AND COLOR	PART NUMBER



THIS DRAWING IS A CONTROLLED DOCUMENT.		DWN: 24-MAR-2003	TE Connectivity
DIMENSIONS: mm [INCHES]		CHK: K. WHITAKER 24-MAR-2003	
TOLERANCES UNLESS OTHERWISE SPECIFIED:		APVD: S. RIDGILL 24-MAR-2003	NAME: PIN HEADER ASSEMBLY, POLARIZED, 6 CIRCUIT, UNIVERSAL MATE-N-LOK™ SIZE: CAGE CODE DRAWING NO. RESTRICTED TO WEIGHT: A1 00779 C=1586090
MATERIAL: SEE TABLE		FINISH: SEE TABLE	
CUSTOMER DRAWING		SCALE: 5:1	SHEET 1 OF 1 REV A1