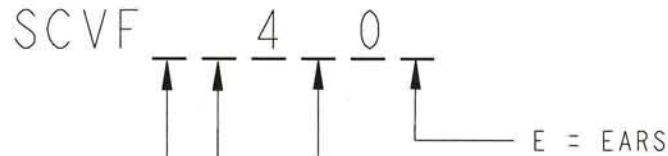


# SCVF SERIES PART NUMBERING SCHEME

REV	ECN	APP'D
-	4502	IQ 5/30/01
A	4974	IQ 9/10/02
B	5742	RN 12/28/05



NUMBER OF POSITIONS  
2 - 20

COLOR AND PLATING  
 0 = BLACK, TIN (STANDARD)  
 G = GREEN, TIN  
 1 = BLACK, SELECTIVE GOLD  
 2 = GREEN, SEL. GOLD

CONSULT PCD FOR PART NO. AND AVAILABILITY OF FOLLOWING OPTIONS:  
 \* CUSTOM COLORS  
 \* CUSTOM MARKING  
 \* CUSTOM KEYING  
 \* SELECTIVE CONTACT LOADING

INSTALLATION RECOMMENDATIONS:  
 WIRE RANGE: AWG #16-28, STRANDED OR SOLID  
 WIRE STRIP LENGTH: .330" (8,38mm)

MATERIALS:  
 HOUSING: PA 66-6, UL 94 V-0  
 CONTACT: COPPER ALLOY, TIN OR GOLD FINISH  
 SPRING CLAMP: STAINLESS STEEL  
 MAX OPERATING TEMP: 105°C

**UL RATINGS**  
 CURRENT - 12A  
 VOLTAGE - 300V  
 U.L. FILE NO. PENDING

**SP RATINGS**  
 CURRENT - 12 A  
 VOLTAGE - 300 V  
 CSA FILE NO. PENDING

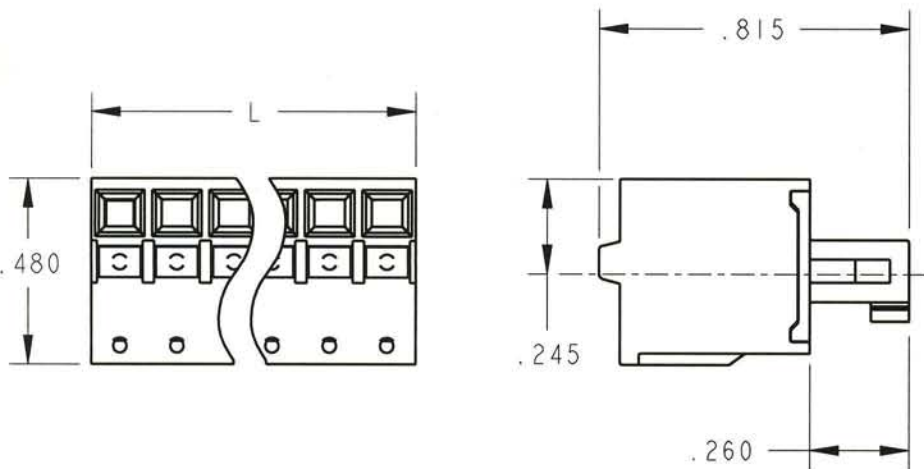
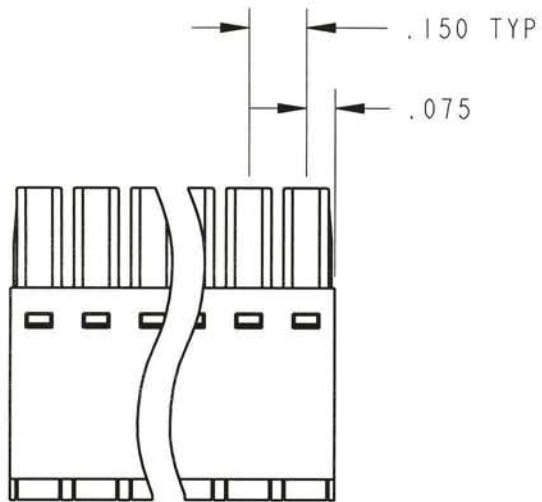
DIN VDE 0627:1986  
 DIN VDE 0110-1:1989  
 EN 60947-1:1991  
 EN 60947-7-1:1992

CURRENT - 12 A  
 VOLTAGE - 300 V  
 TUV FILE NO. PENDING

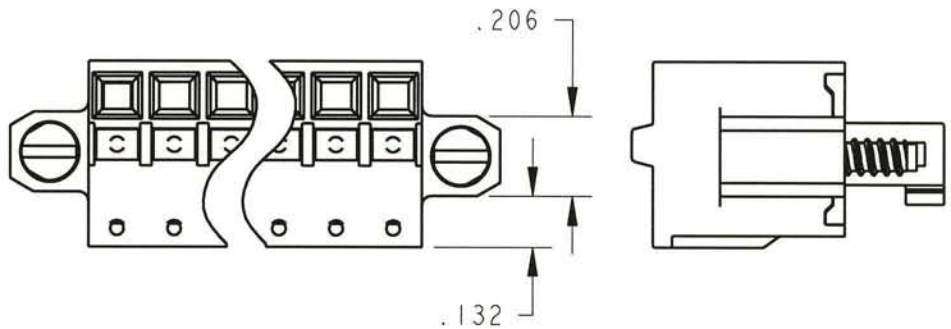
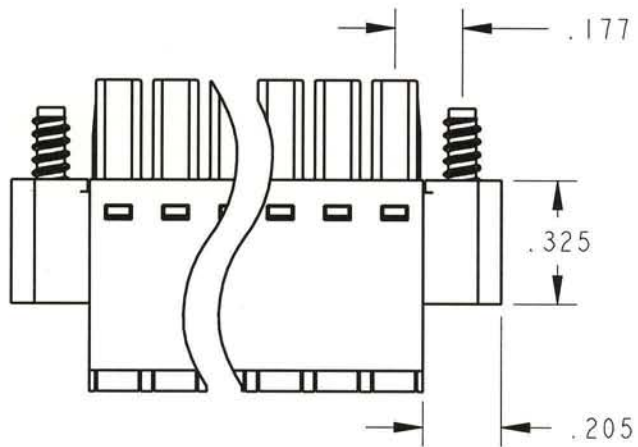
<b>DIMENSIONS</b> ANSI Y14.5M UNITS: INCHES Pro/E FILE	<b>TOLERANCES</b> .XX ±0.15 .XXX ±0.006 ANGLES ±2.0°	<b>PROJECTION</b> 	<b>Amphenol Pcd</b>			<b>TITLE</b> SCVF SERIES FRONT/FRONT SPRING CLAMP TERMINAL BLOCK: .150 CL			
			ENGR C. LASHUA 5/29/01			SIZE <b>A</b>	DWG NO. <b>SCVF02400</b>		REV <b>B</b>
<b>ORIGINAL STAMPED IN RED</b>	THIS DOCUMENT CONTAINS PROPRIETARY INFORMATION WHICH IS THE CONFIDENTIAL PROPERTY OF AMPHENOL PCD, INC. PEABODY, MA, USA		CHKD I. QUINN 5/30/01			CODE: 58982		SCALE: NONE	
			APPD I. QUINN 5/30/01			SHEET 1 OF 2			

L=NUM OF POS X CL SPACING

SCVF WITHOUT EARS



SCVF WITH EARS



SIZE	DWG NO.	REV
A	SCVF02400	B
CODE: 58982	SCALE: NONE	SHEET 2 OF 2