

- ▶ Low Profile
- ▶ Wide Frequency range
- ▶ Extended temperature range
- ▶ RoHS Compliant (Note 7 Exemption)

# ZTA Series Ceramic Resonator

The ZTA Series ceramic resonator offers a wide frequency range and extended temperature range capabilities.

## OPERATING CONDITIONS / ELECTRICAL CHARACTERISTICS

PART NUMBER *	FREQUENCY RANGE (MHz)	FREQUENCY ACCURACY @ 25°C(%)	STABILITY IN TEMPERATURE -20~ +80°C (%)	AGING FOR TEN YEARS (%)	RESONANT RESISTANCE (Ω) MAX
ZTA□.□□MG	2.00 ~ 2.99	±0.5	±0.3	±0.3	80
ZTA□.□□MG	3.00 ~ 3.49	±0.5	±0.3	±0.3	50
ZTA□.□□MG	3.50 ~ 8.00	±0.5	±0.3	±0.3	30
ZTA□.□□MT	6.01 ~ 6.99	±0.5	±0.3	±0.3	30
ZTA□□.□□MT	7.00 ~ 13.00	±0.5	±0.3	±0.3	25
ZTA□□.□□MX	13.01 ~ 50.00	±0.5	±0.3	±0.3	30

- Withstanding voltage (5 seconds max.): 100V DC
- Insulation Resistance 100M Ω Min. (at 10 V DC)

## PACKAGE DIMENSIONS (mm)

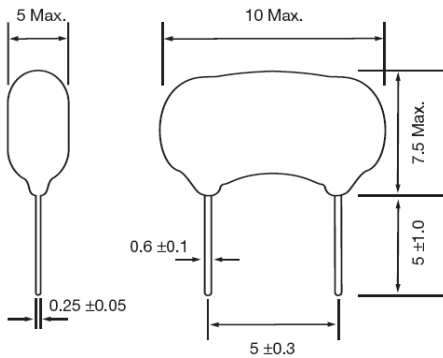


Figure 1) ZTA□.□□MG, Side and Front views

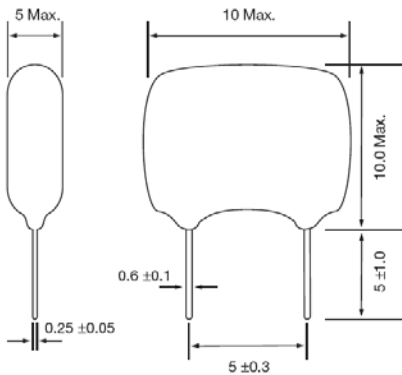


Figure 3) ZTA□.□□MT, MX Side and Front views

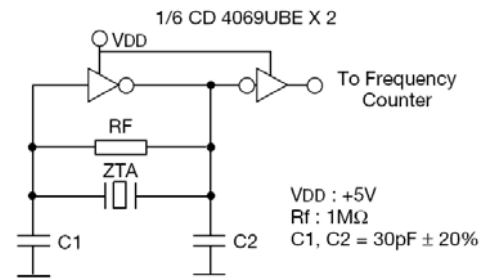


Figure 2) ZTA□.□□MG Test Circuit

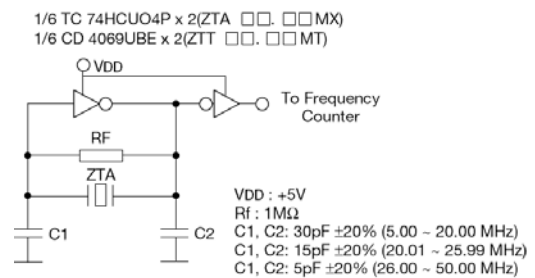
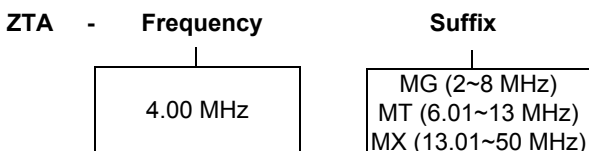


Figure 4) ZTA□.□□MT & ZTA□.□□MX Test Circuit

## PART NUMBERING GUIDE: Example ZTA-4.00MG



Note: ECS does not approve the use of its products in Automotive, Military, Avionics, Life Sustaining or Life Support systems or any other related medical applications without written approval from ECS INC.