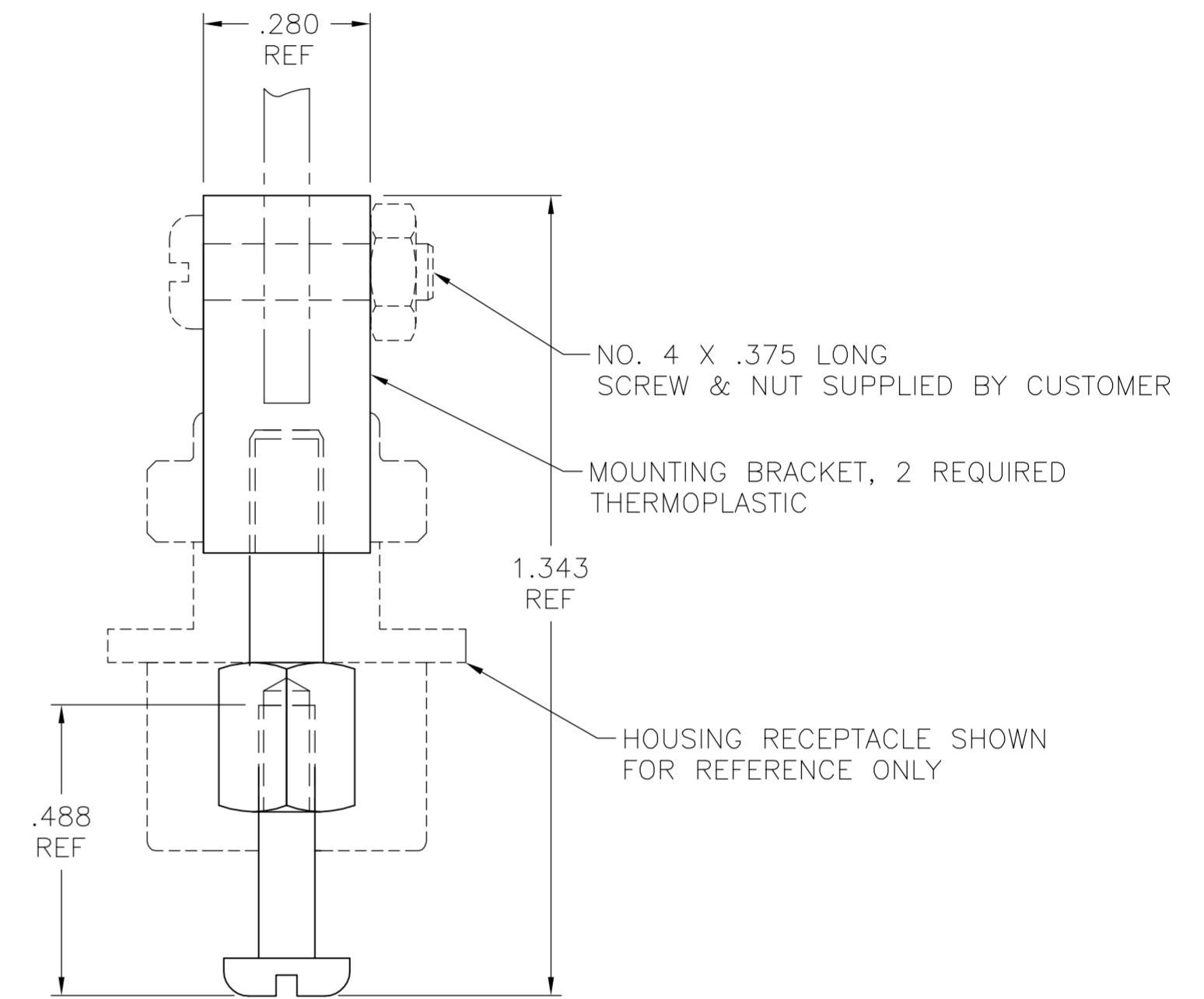
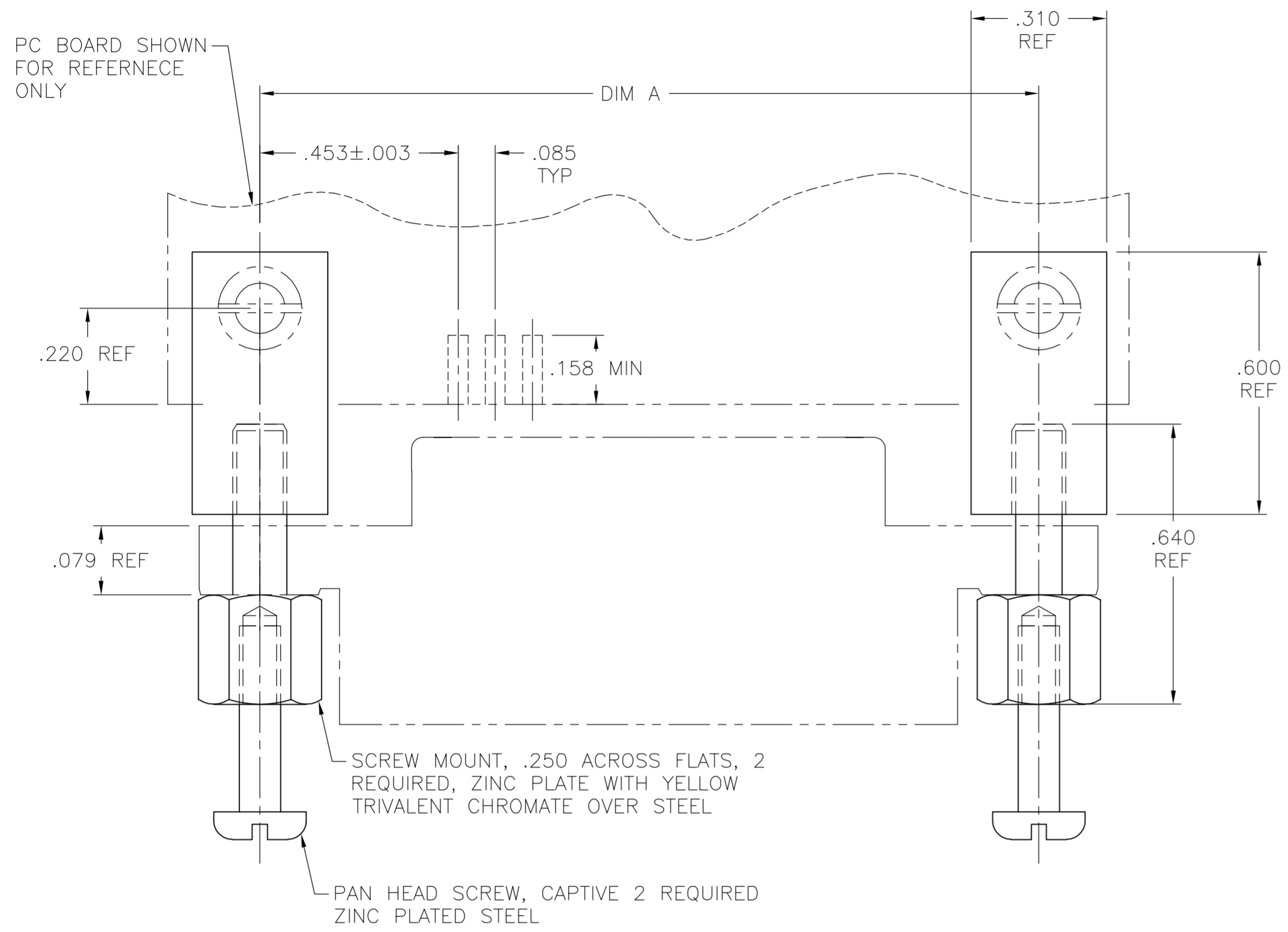


THIS DRAWING IS UNPUBLISHED. RELEASED FOR PUBLICATION
 © COPYRIGHT BY TYCO ELECTRONICS CORPORATION. ALL RIGHTS RESERVED.

LOC	DIST	REVISIONS					
GP	00	P	LTR	DESCRIPTION	DATE	DWN	APVD
		0		RELEASED PER EC 0513-0288-05	03OCT05	BM	WM



64	3.542	.125
50	2.946	.125
36	2.352	.125
24	1.842	.125
14	1.416	.125
NUMBER OF POSITIONS	DIM A	MOUNTING HOLE DIAMETER

5552675-1
PART NUMBER

THIS DRAWING IS A CONTROLLED DOCUMENT.

DIMENSIONS: INCHES	TOLERANCES UNLESS OTHERWISE SPECIFIED:	DWN B. MCMASTER 03OCT05	Tyco Electronics Corporation Harrisburg, PA 17105-3608
	0 PLC ± -	CHK W. MILLHIMES 03OCT05	
	1 PLC ± -	APVD W. MILLHIMES 03OCT05	
	2 PLC ± -	PRODUCT SPEC	
	3 PLC ± -	APPLICATION SPEC	
MATERIAL	FINISH	WEIGHT	NAME HARDWARE KIT, SCREW LOCK, EDGE MOUNT, CHAMP SIZE A2 CAGE CODE 00779 DRAWING NO C=5552675 RESTRICTED TO CUSTOMER DRAWING SCALE 4:1 SHEET 1 of 1 REV 0