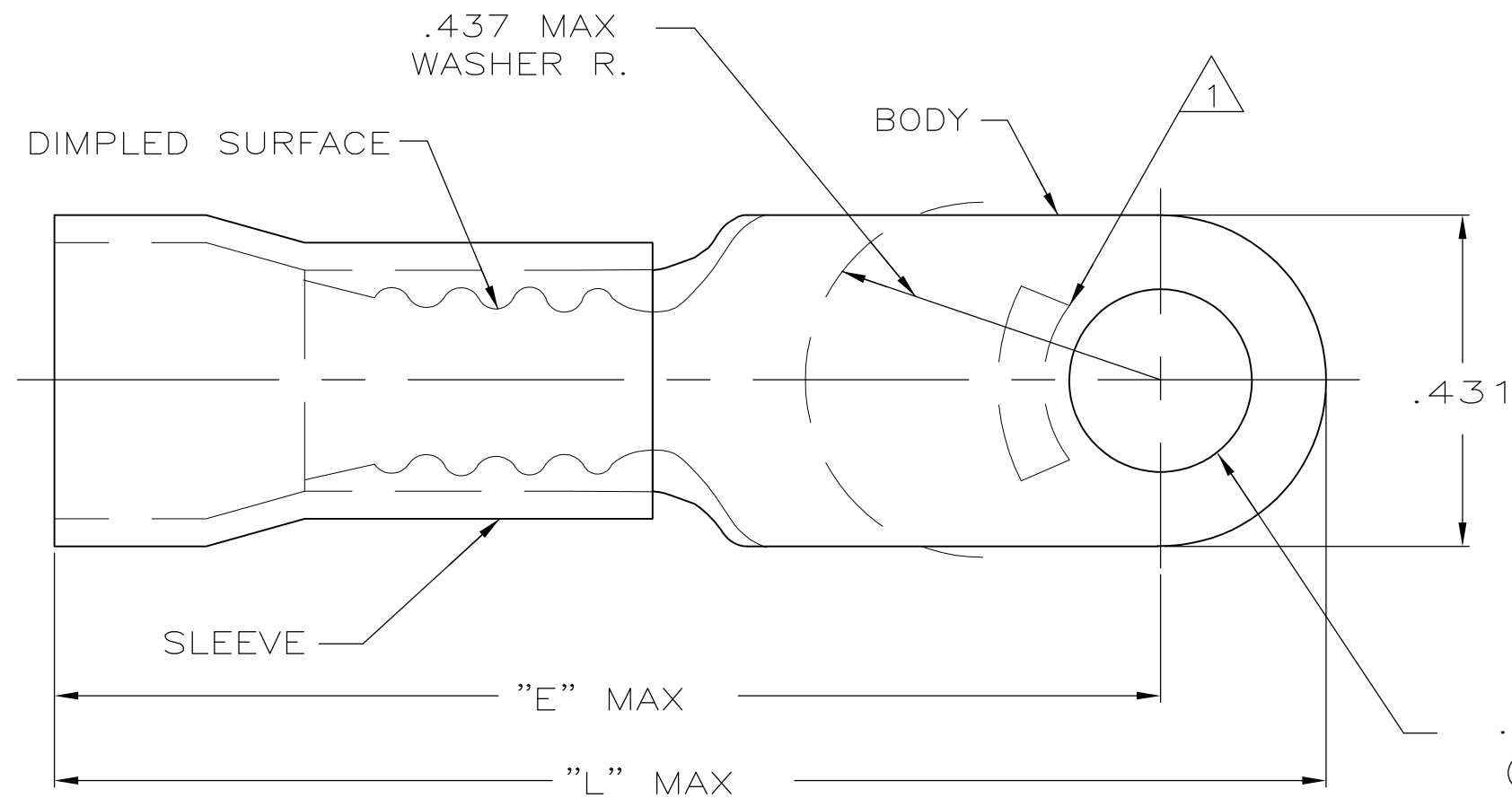


THIS DRAWING IS UNPUBLISHED. RELEASED FOR PUBLICATION
 © COPYRIGHT BY TYCO ELECTRONICS CORPORATION. ALL INTERNATIONAL RIGHTS RESERVED.


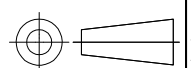
LOC	DIST	REVISIONS					
G	14	P	LTR	DESCRIPTION	DATE	DWN	APVD
			H1	REVISED PER ECO-11-002228	11FEB11	HMR	DR

AMP WIRE RANGE	 FILE E13288	 LR7189 Certified
8 AWG STRANDED	8 AWG STRANDED	8 AWG STRANDED



- △1 STAMP AMP 8* LOCATE APPROX AS SHOWN
- 2 TONGUE MATERIAL THK .040±.003
- 3 TAPE ITEMS ARE ON 1.200 CENTERS
- △4 COPPER PER ASTM B-152, PVC, COLOR-RED
- △5 TIN PLATE PER ASTM B-545
- △6 PRELIMINARY - NOT FOR PREPRODUCTION

.330	1.394	1.587	500	55621-7 ON TAPE	△6 55621-8
			100	LOOSE PIECE	△6 55621-7
.360	1.354	1.561	500	55621-1 ON TAPE	55621-2
			100	LOOSE PIECE	55621-1
WIRE INSULATION OD MAX	"E"	"L"	QTY	PACKAGE TYPE	PART NO

MAX RECOMMENDED OPERATING TEMPERATURE: 105°C	THIS DRAWING IS A CONTROLLED DOCUMENT.		DWN S.S. GOULDEN 10-12-93	 Tyco Electronics Corporation Harrisburg, PA 17105-3608			
	VOLTAGE RATING: 600 V MAX	DIMENSIONS: INCHES	TOLERANCES UNLESS OTHERWISE SPECIFIED:				CHK R. HERSEY 10-12-93
CIRCULAR MIL AREA: 6.64-10.54mm ² [13,100-20,800] STRANDED		0 PLC ± -	APVD M ELLIS 10-12-93	NAME TERMINAL, RING TONGUE, PLASTI-GRIP, WIRE SIZE: 8 AWG			
		1 PLC ± -	2 PLC ± 0.20[.008]				PRODUCT SPEC NOT AVAILABLE
	MATERIAL	3 PLC ± -	APPLICATION SPEC 114-2161	SIZE	CAGE CODE	DRAWING NO	RESTRICTED TO
	FINISH	4 PLC ± -	WEIGHT -	A3	00779	C-55621	-
		5 ANGLE ± -	CUSTOMER DRAWING	SCALE	SHEET	REV	
				4:1	1 OF 1	H1	