

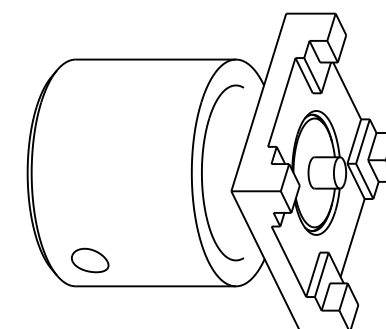
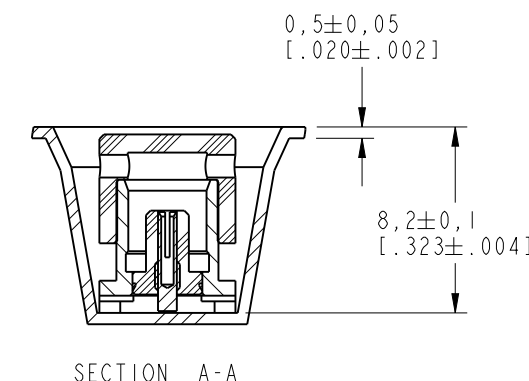
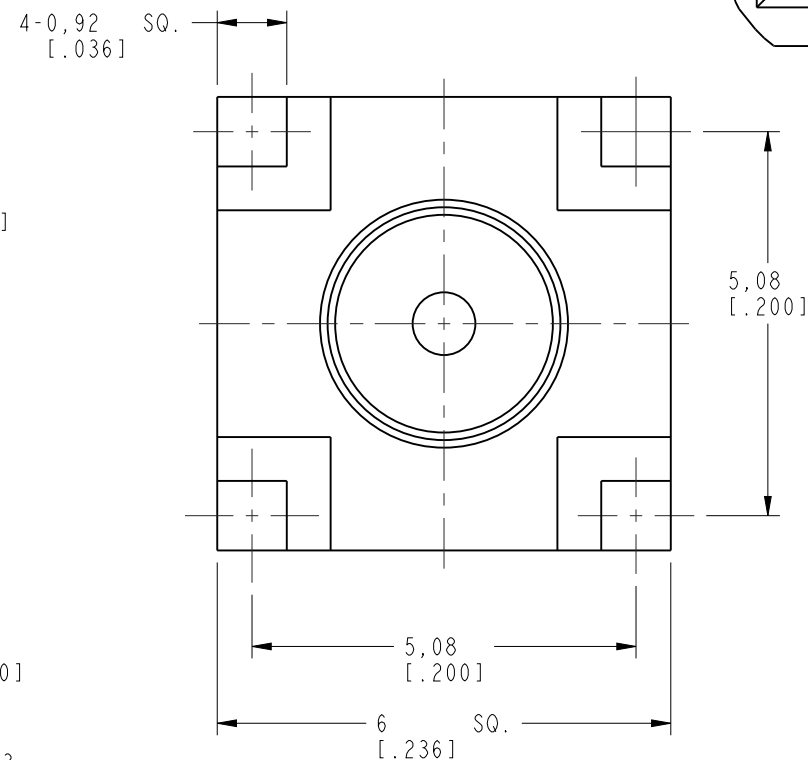
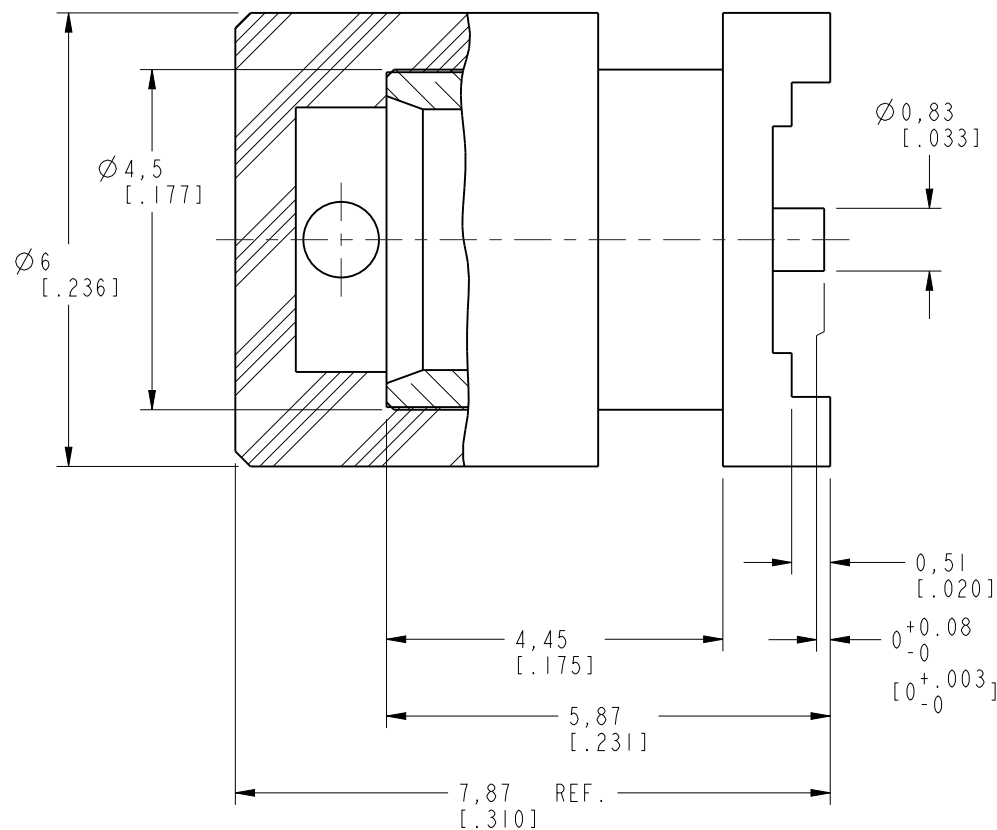
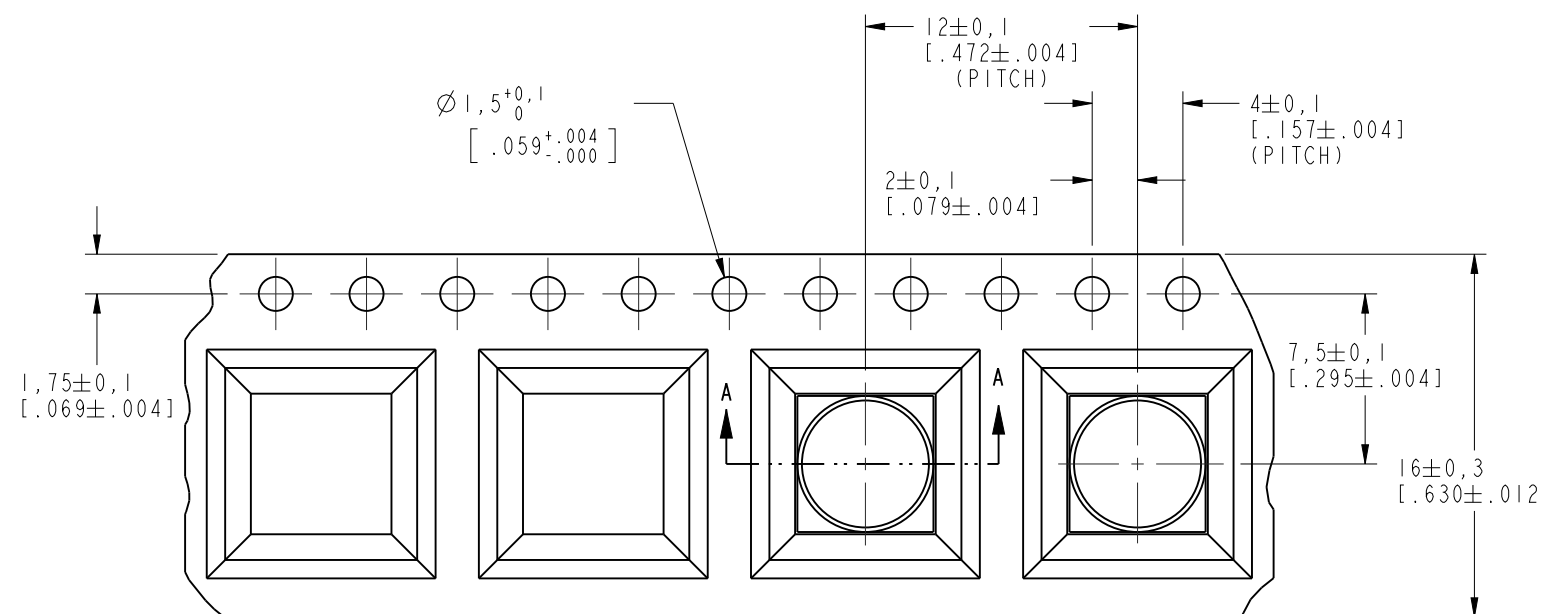
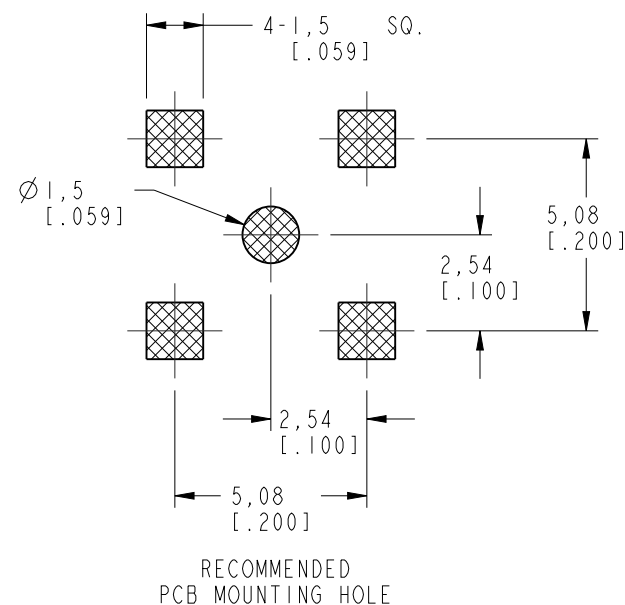
NOTES:

- MATERIALS AND FINISHES:**
 BODY - BRASS, GOLD PLATING
 CONTACT - BERYLLIUM COPPER, GOLD PLATING
 INSULATOR - PTFE, NATURAL
 CAP - PTFE, NATURAL
- ELECTRICAL:**
 A. IMPEDANCE: 75 OHM
 B. FREQUENCY RANGE: DC 0-6 GHz
 C. DIELECTRIC WITHSTANDING VOLTAGE: 1000 VRMS, MIN.
- MECHANICAL:**
 A. DURABILITY: 500 CYCLES MIN.
 B. TEMPERATURE RANGE: - 65 °C to + 165 °C
- PACKAGING:**
 A. PACKAGE IN TAPE, TAPE MATERIAL: BLACK POLYSTYRENE
 B. PACKING TAPE LENGTH PER 13" REEL 8.7 METERS.
 C. PACKAGE QUANTITY: 650 PCS/ REEL.
 D. REEL TO BE MARKED: AMPHENOL RF
 252117-75TR
 DATE CODE

THIRD ANGLE PROJ.

REVISIONS

REV	DESCRIPTION	DATE	ECO	APPR
A	RELEASE TO MFG.	06-Nov-15	----	ZZ
B	SYNC, ADDED PN	31-Oct-17	05643	SH
C	SYSTEM RELEASE	16-Nov-17	05827	BMG



CUSTOMER OUTLINE DRAWING
 ALL OTHER SHEETS ARE FOR INTERNAL USE ONLY

UNLESS OTHERWISE SPECIFIED, DIMENSIONS ARE IN METRIC AND TOLERANCES ARE:
 <0.5mm ± 0.05mm 0.5 - 6mm ± 0.1mm 6 - 30mm ± 0.2mm 30 - 120mm ± 0.3mm ANGLES ± 1°

NOTICE - These drawings, specifications, or other data (1) are, and remain the property of Amphenol corp. (2) must be returned upon request; and (3) are confidential and not to be disclosed to any person other than those to whom they are given by Amphenol Corp. the furnishing of these drawings, specifications, or other data by Amphenol Corp., or to any other person to anyone for any purpose is not to be regarded by implication or otherwise in any manner licensing, granting rights to permitting such holder or any other person to manufacture, use or sell any product, process or design, patented or otherwise, that may in any way be related to or disclosed by said drawings, specifications, or other data.

MATERIAL		DRAWN	M. ZHANG	DATE	16-Nov-17
REFERENCE	ADDED A CAP. PACKAGE WITH TAPE & REEL BASIC ON MCX6251B4-3GT30G-75	ENGINEER	F. WANG	DATE	09-Nov-15
FINISH		APPROVED	S. HSIEH	DATE	16-Nov-17
		CAD FILE			

TITLE	MCX P.C. BOARD RECEPT. JACK (SURFACE MOUNT - 75 OHMS), TAPE & REEL
SCALE:	12.0:1.0
SHEET	2 OF 2
DWG SIZE	B
REV	C

DRAWING NO. MCX6251B4-010-3GT30G-75	
ITEM NO. 086251ADUAIGE7F	
PART NO. 252117-75TR	

Amphenol RF	
www.amphenolrf.com	
DRAWING NO. MCX6251B4-010-3GT30G-75	
ITEM NO. 086251ADUAIGE7F	
PART NO. 252117-75TR	