

DRAWING MADE IN THIRD ANGLE PROJECTION

THIS DRAWING IS UNPUBLISHED.

RELEASED FOR PUBLICATION

,19

© COPYRIGHT 19

BY AMP INCORPORATED. ALL INTERNATIONAL RIGHTS RESERVED.

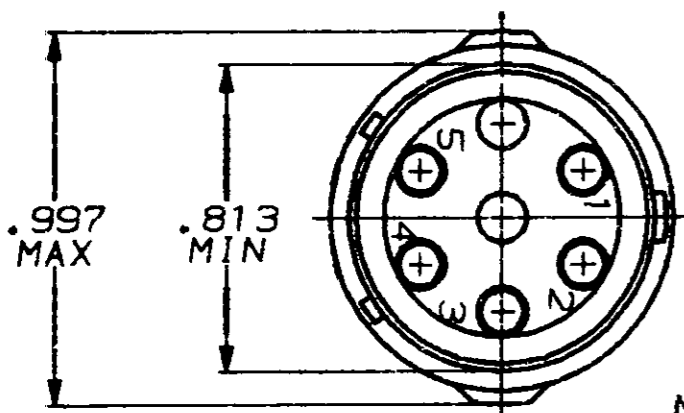
MOD	LOC	DIST
23	BD	39

P	F	ZONE	LTR
✓	✓		F

REVISIONS

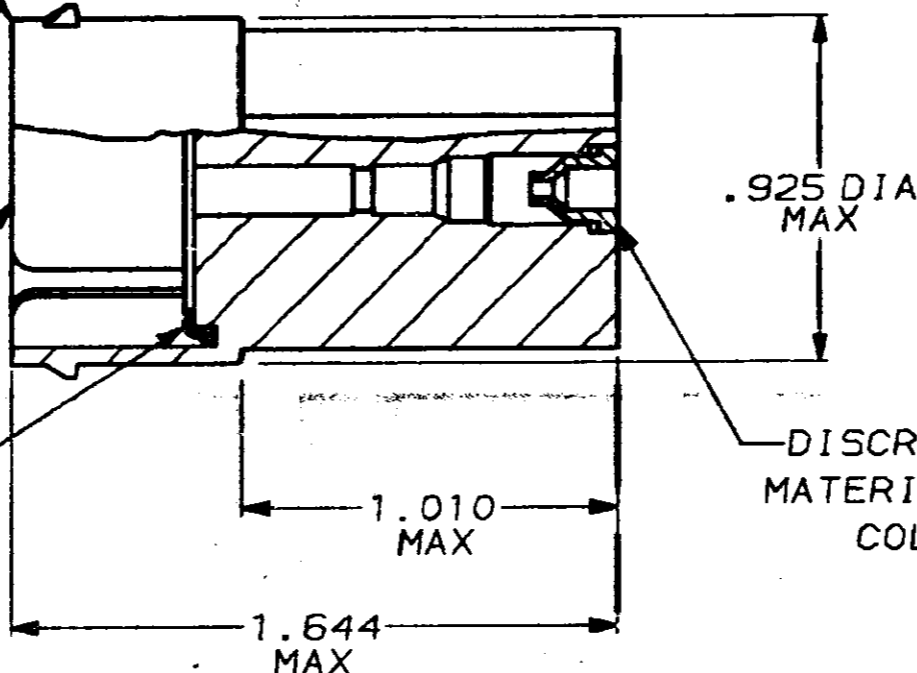
DESCRIPTION	DATE	APPD
REDRAWN AND REV PER ECN BD4183	8/2/90	KB

HOUSING MATERIAL: THERMOPLASTIC  
COLOR: BLACK

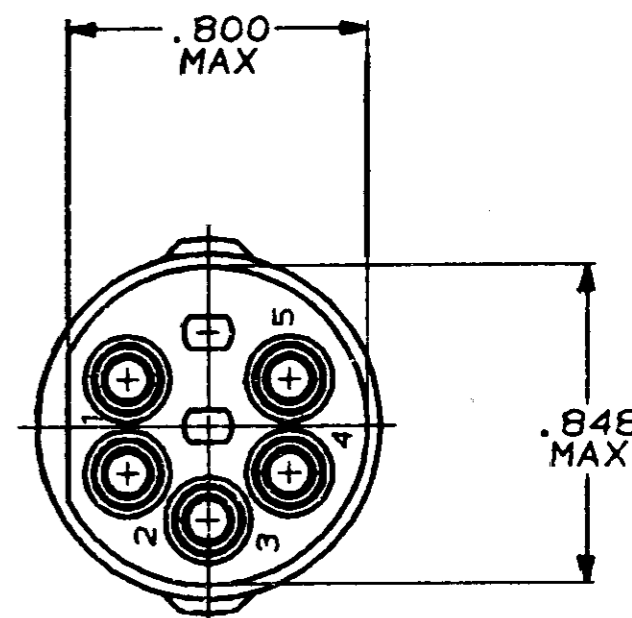


MATING FACE

PERIPHERAL SEAL, MATERIAL: ELASTOMER  
COLOR: BLACK



DISCRETE WIRE SEAL, MATERIAL: ELASTOMER  
COLOR: BLACK



NO	207848-2
YES	207848-1
SEALS	PART NO

1. WIRE INSULATION SEALING RANGE: .070-.130 DIA.
2. THIN MEMBRANE PERMISSABLE ON SMALL DIAMETER OF WIRE SEALS.
3. ROTATION OF CAVITY CIRCUIT KEY FROM PART TO PART IS PERMISSIBLE.

DO NOT SCALE PRINT.  
UNLESS SPECIFIED  
DIMENSIONS IN INCHES  
TOLERANCES ON:  
2 PLC DEC \* -  
3 PLC DEC \* -  
ANGLES \* -

MATERIAL  
SEE CALLOUT

FINISH

DR 8/2/90  
A. STAUB DS

CHK *J. Mullin* 1-4-91

APPD *S. Beaver* 1-18-91

APPD -

PRODUCT SPEC -

APPLICATION SPEC -

WEIGHT -

**AMP** AMP INCORPORATED  
Harrisburg, Pa. 17105

NAME  
RECEPTACLE, 5 POSITION, STD  
ECONOSEAL CONNECTOR

SIZE	FSCM NO	DRAWING NO
<b>B</b>	00779	207848

SCALE	SHEET
-	1 OF 1